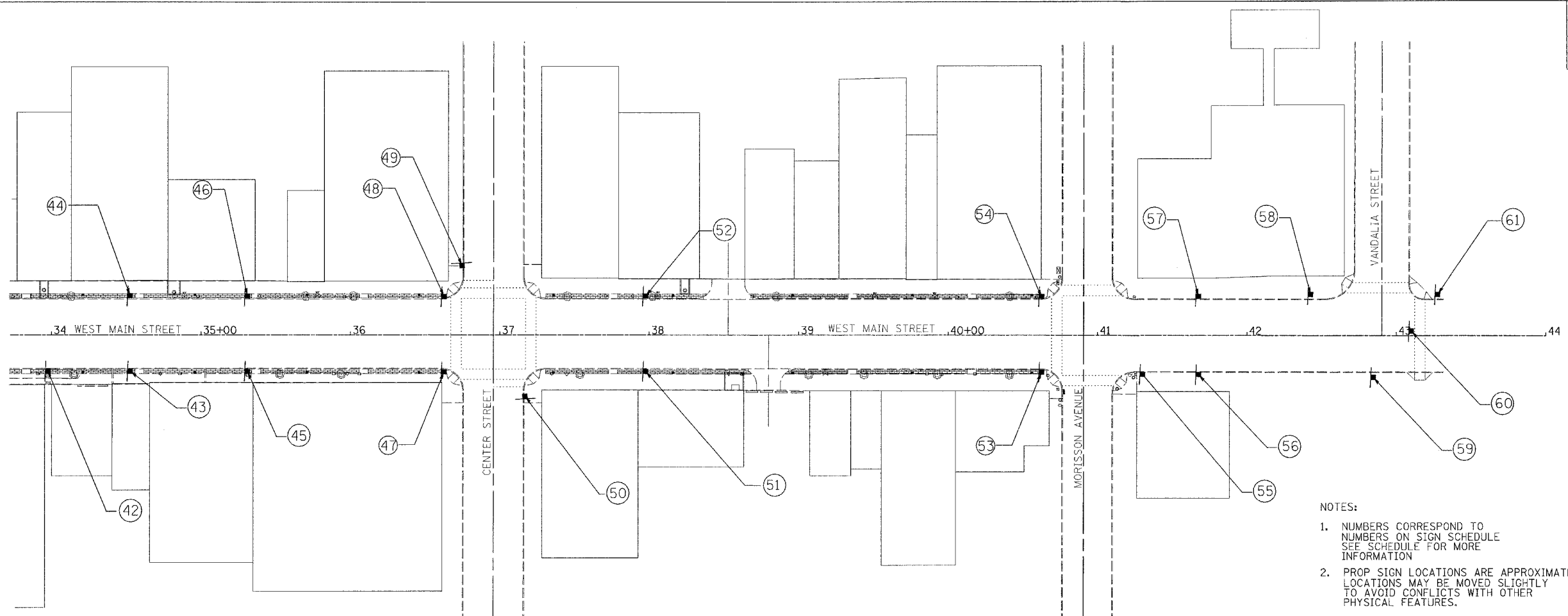
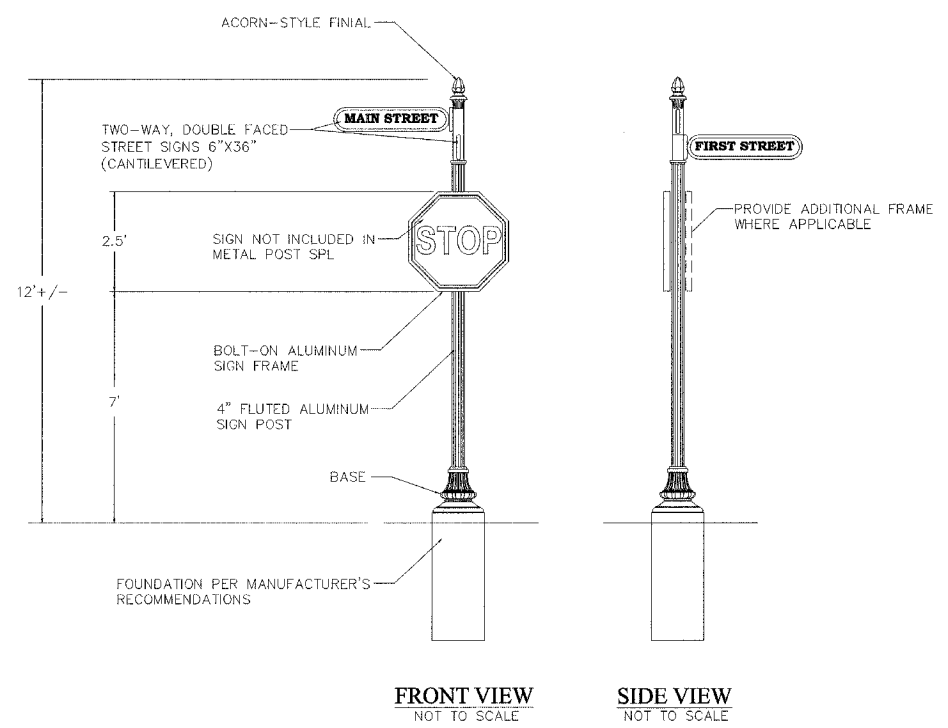
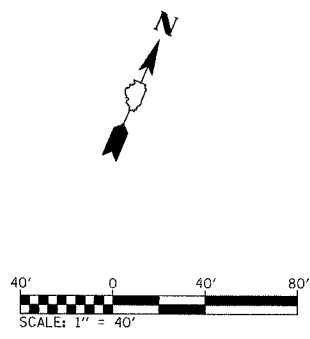


F.A. RTE.	SECTION	COUNTY	TOTAL SHEETS	SHEET NO.
9127	06-00081-02-LS	MADISON	45	23
STA. 33+00		TO STA. 44+00		
FED. ROAD DIST. NO. _____		ILLINOIS	FED. AID PROJECT	



- NOTES:
1. NUMBERS CORRESPOND TO NUMBERS ON SIGN SCHEDULE SEE SCHEDULE FOR MORE INFORMATION
  2. PROP SIGN LOCATIONS ARE APPROXIMATE LOCATIONS MAY BE MOVED SLIGHTLY TO AVOID CONFLICTS WITH OTHER PHYSICAL FEATURES.



**METAL POST SPECIAL**  
NOT TO SCALE

- NOTES:
1. ALL APPLICABLE PARTS SHALL RECEIVE A STANDARD ELECTROSTATICALLY APPLIED THERMOSET POLYESTER POWDER COAT "SMOOTH SEMI-GLOSS BLACK" FINISH.
  2. ALL FASTENERS SHALL BE STAINLESS STEEL.
  3. SIGN MANUFACTURER SHALL BE BY HOLOPHANE, BRANDON INDUSTRIES, OR APPROVED EQUAL.

PLOT DATE = #DATE#  
FILE NAME = #FILE#  
PLOT SCALE = #SCALE#  
USER NAME = #USER#