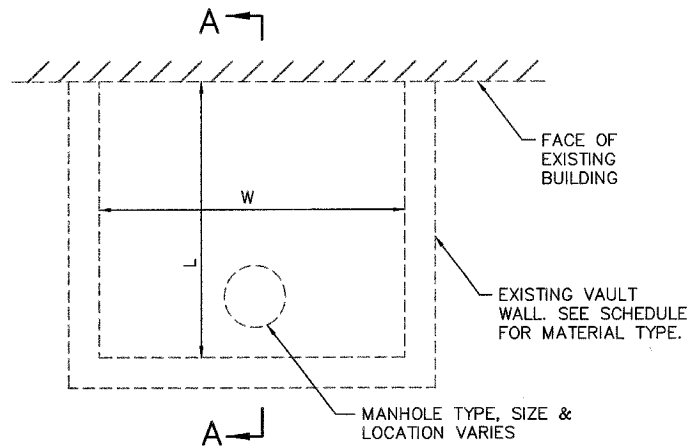
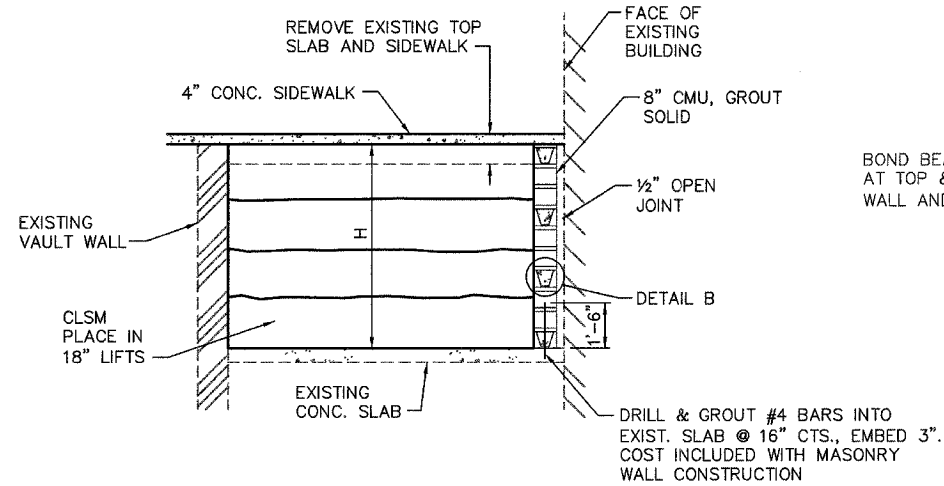


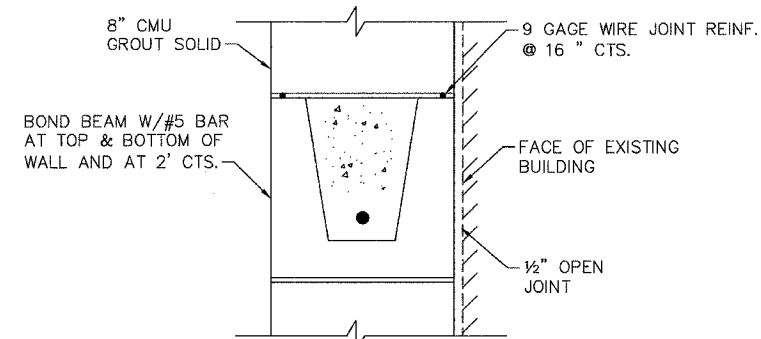
F.A. RTE.	SECTION	COUNTY	TOTAL SHEETS	SHEET NO.
9127	06-00081-02-LS	MADISON	45	25
STA.		TO STA.		
FED. ROAD DIST. NO.		ILLINOIS FED. AID PROJECT		
CONSTRUCTION DETAILS AND SCHEDULES				



VAULT DETAIL

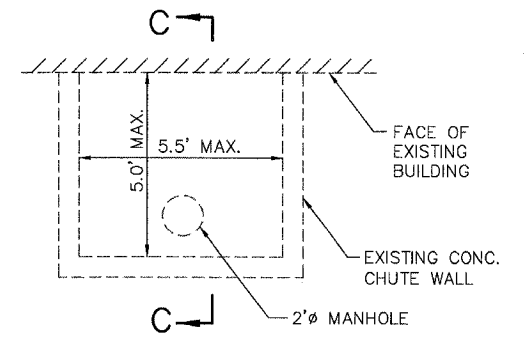


SECTION A-A



DETAIL B

NOTE: ANCHOR EACH END OF BOND BEAM W/ #4 BAR DRILLED & GROUTED INTO EXIST. VAULT WALL, EMBED 4". COST INCLUDED WITH MASONRY WALL CONSTRUCTION



CHUTE CLOSURE SYSTEM DETAIL

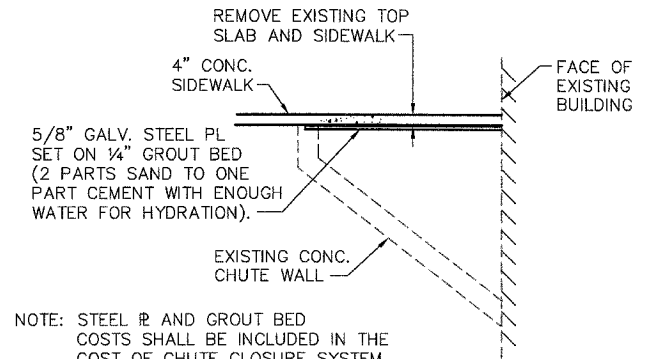
COAL VAULT SCHEDULE

STATION	LT / RT	L (FEET)	W (FEET)	H (FEET)	EXISTING WALL TYPE	EXISTING CEILING TYPE	CONTROLLED LOW-STRENGTH MATERIAL 59300100 (CU YD)	MASONRY WALL CONSTR Z0034100 (SQ FT)
25+98	LT	7.5	7.5	8.0	CMU	CONCRETE	17	60
TOTAL							17	60

CHUTES UNDER EXISTING SIDEWALKS AT FACE OF BUILDINGS

GENERAL LOCATIONS	QUANTITY (A)
STA. 27+13, LT	1 EACH

(A) SEE SPECIAL PROVISIONS FOR "CHUTE CLOSURE SYSTEM" REQUIREMENTS.



**SECTION C-C
(CHUTE CLOSURE SYSTEM)**

COAL VAULT AND CHUTE NOTES

- CONTROLLED LOW-STRENGTH MATERIAL SHALL BE CONSTRUCTED IN MAXIMUM 18" LIFTS.
- THE CONTRACTOR SHALL PROVIDE TEMPORARY BRACING OF THE EXISTING VAULT WALLS PRIOR TO REMOVING THE VAULT LID.
- ALL DEBRIS IN THE VAULTS SHALL BE REMOVED AND DISPOSED OF PRIOR TO FILLING WITH CONTROLLED LOW-STRENGTH MATERIAL. DISPOSAL OF DEBRIS WILL NOT BE PAID FOR SEPARATELY, BUT SHALL BE INCLUDED IN THE COST OF CONTROLLED LOW-STRENGTH MATERIAL.
- UNFILLED VAULTS SHALL BE FENCED AND BARRICADED TO PROTECT THE PUBLIC FROM THE HAZARDS OF AN OPEN VAULT. SAFETY PRECAUTIONS WILL NOT BE PAID FOR SEPARATELY, BUT SHALL BE INCLUDED IN THE COST OF CONTROLLED LOW-STRENGTH MATERIAL.
- EXCESS WATER FROM THE CONTROLLED LOW-STRENGTH MATERIAL (CLSM) SHALL BE PUMPED OUT OF VAULTS DURING CLSM INSTALLATION. ALL POTENTIAL SOURCES OF LEAKAGE SHALL BE SEALED PRIOR TO PLACEMENT OF CLSM.
- PRIOR TO FILLING A COAL VAULT, THE CONTRACTOR SHALL CONTACT THE ADJACENT BUSINESS OWNER INFORMING THEM OF THE IMMINENT FILLING OF THE VAULT. THE CONTRACTOR SHALL MONITOR THE ADJACENT BUSINESS' BASEMENT FOR WATER MIGRATING OUT OF THE CONTROLLED LOW-STRENGTH MATERIAL. THE CONTRACTOR SHALL PREVENT DAMAGE TO ADJACENT BUSINESSES DUE TO MIGRATING WATER FROM THE CONTROLLED LOW-STRENGTH MATERIAL. COORDINATION WITH ADJACENT BUSINESSES AND WATER MIGRATION PREVENTION WILL NOT BE PAID FOR SEPARATELY BUT SHALL BE INCLUDED IN THE COST OF CONTROLLED LOW-STRENGTH MATERIAL.
- COAL CHUTE DIMENSIONS WERE UNABLE TO BE VERIFIED. CONTRACTOR SHALL VERIFY THAT THE CHUTE OPENING DIMENSIONS ARE LESS THAN THE MAXIMUM ALLOWABLE SHOWN IN THE CHUTE DETAIL. IF THE OPENINGS ARE GREATER THAN SHOWN IN THE PLANS, THE ENGINEER SHALL BE NOTIFIED IMMEDIATELY.
- CONTRACTOR SHOULD NOTE THAT THE PLANS SHOW LOCATIONS OF KNOWN PREVIOUSLY FILLED COAL VAULTS AND CHUTES. THESE LOCATIONS SHOULD BE HANDLED WITH CARE SO NOT TO ADD A SURCHARGE TO THE FILLED VAULT/CHUTE. THE CONTRACTOR SHALL VERIFY THE SUBBASE IN THESE LOCATIONS PRIOR TO PLACING THE PCC SIDEWALK. THE ENGINEER SHALL INSPECT THE VAULT/CHUTE PRIOR TO POURING THE PCC SIDEWALK, 4" OVER THE SYSTEM.

CONCRETE MASONRY UNITS (CMU) NOTES

- CMU UNITS SHALL BE HOLLOW CORE LOAD-BEARING, TYPE 1, NORMAL WEIGHT CONFORMING TO ASTM C90. MINIMUM NET COMPRESSIVE STRENGTH OF INDIVIDUAL UNITS = 2000 PSI.
- NOMINAL FACE DIMENSIONS OF CMU UNITS = 8"x16".
- MORTAR SHALL BE IN ACCORDANCE WITH ASTM C270, TYPE N.
- GROUT FOR FILLING CELLS AND BOND BEAMS SHALL CONFORM TO ASTM C476. MINIMUM STRENGTH OF GROUT = 2000 PSI AT 28 DAYS.
- WIRE REINFORCEMENT SHALL CONFORM TO ASTM A82 AND BE HOT DIP GALVANIZED IN ACCORDANCE WITH ASTM A153.
- REINFORCEMENT FOR BOND BEAMS AND DOWELS SHALL CONFORM TO ASTM A615, GRADE 60, DEFORMED.
- SEE SPECIAL PROVISIONS FOR ADDITIONAL REQUIREMENTS.