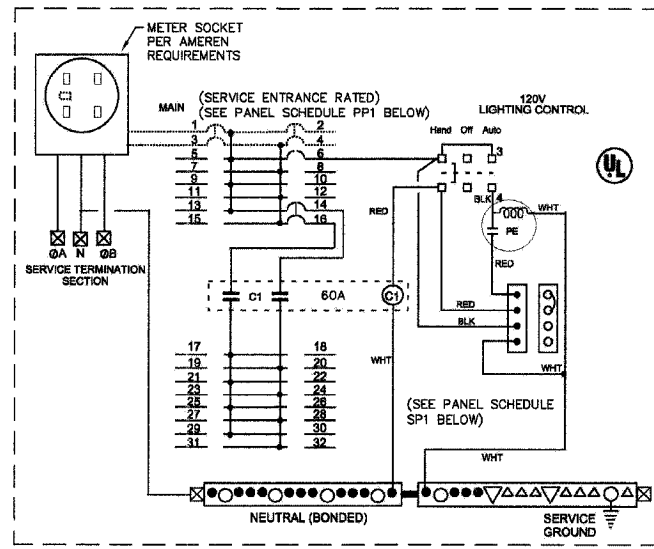
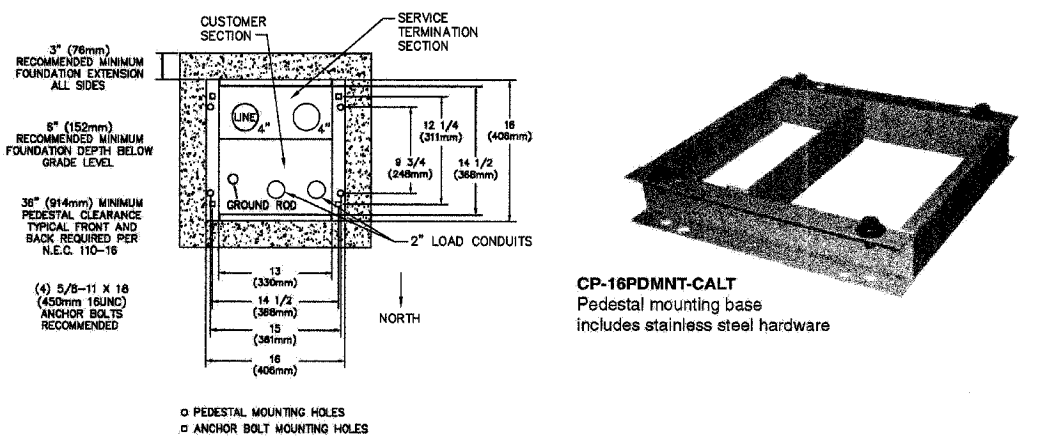
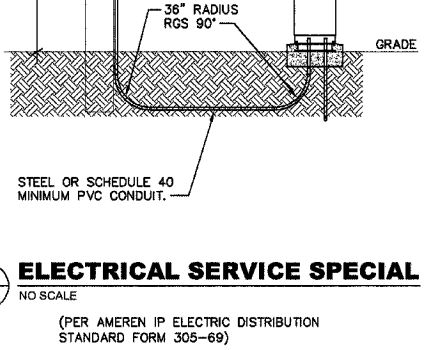
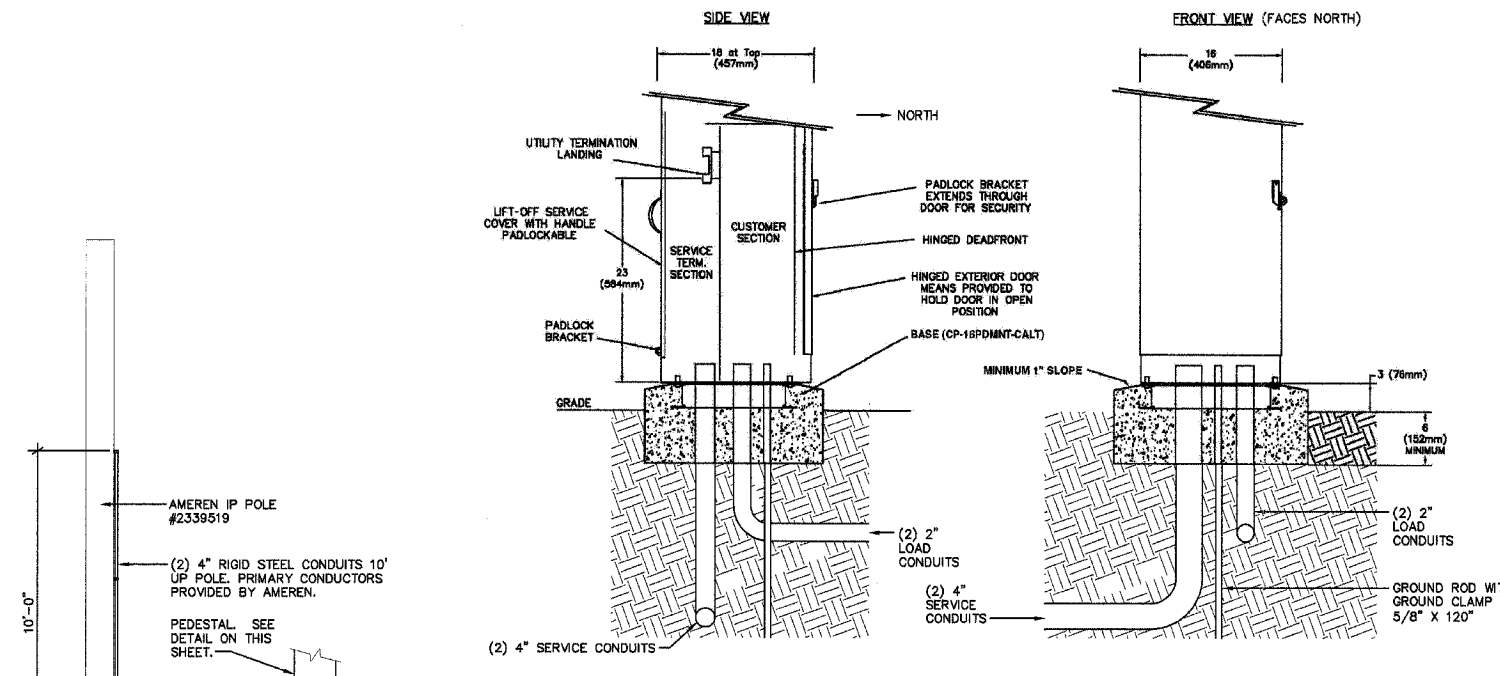
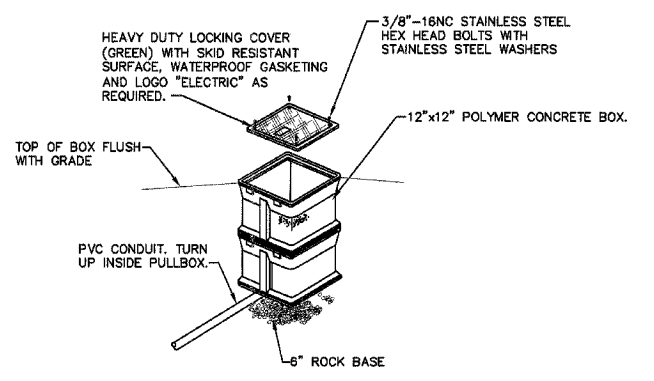
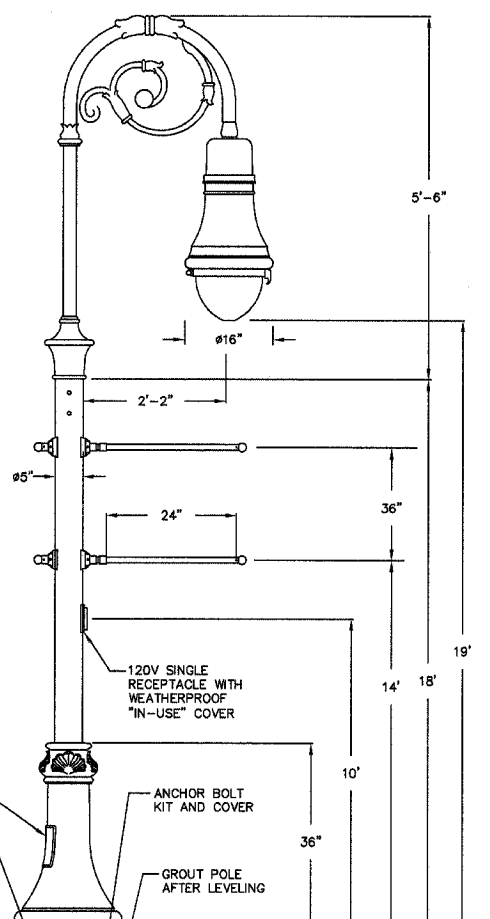


F.A. RTE.	SECTION	COUNTY	TOTAL SHEETS	SHEET NO.
9127	06-00081-02-LS	MADISON	45	26
STA.		TO STA.		
FED. ROAD DIST. NO.		ILLINOIS FED. AID PROJECT		
ELECTRICAL DETAILS				



NOTES:
 1. LOAD CENTERS ARE RATED & UL LISTED WITH: MILBANK, SIEMENS, GENERAL ELECTRIC AND CUTLER-HAMMER BOLT-ON STYLE CIRCUIT BREAKERS.
 2. C1 = CONTACTOR, 60A, 3-POLE, 120V COIL, ELECTRICALLY HELD, SIEMENS TYPE LEN.



LIGHT FIXTURE SCHEDULE						
TYPE	MANUFACTURER & CATALOG No.	VOLTAGE	LAMPS	MOUNTING	DESCRIPTION & REMARKS	
A	HCI F187-L-FPC-175MH-240V-BR-3-A337-1-RAL9011 P454-5P-18-SRT-2DRT-BA1X2-RAL9011	240	(1) 175W MH	POLE	CITY OF COLLINSVILLE STANDARD FIXTURE. SEE DETAIL #5 ON THIS SHEET FOR INSTALLATION. PROVIDE "IN-USE" WP RECEPTACLE COVER.	
B	HCI F187-L-FPC-175MH-120V-BR-3-A337-1-RAL9011 P454-5P-18-SRT-2DRT-BA1X2-RAL9011	120	(1) 175W MH	POLE	CITY OF COLLINSVILLE STANDARD FIXTURE. SEE DETAIL #2 ON SHEET E-2 FOR INSTALLATION: PROVIDE (1) GFCI RECEPTACLE AT 10'-0" ABOVE FINISHED GRADE, AND TWO RECEPTACLES AT 2'-0" ABOVE FINISHED GRADE. PROVIDE "IN-USE" WP RECEPTACLE COVERS.	

PANEL NO: PP1										22000 AIC									
VA	FUNCTION	SIZE	CKT	PH	CKT	SIZE	FUNCTION	VA	FUNCTION	SIZE	CKT	PH	CKT	SIZE	FUNCTION	VA			
-	MAIN	100A/2P	1	A	2		SPACE												
	SPACE		3	B	4		SPACE												
	SPACE		5	A	6	20A/1P	CONTROL CIRCUIT	50											
	SPACE		7	B	8		SPACE												
	SPACE		9	A	10		SPACE												
	SPACE		11	B	12		SPACE												
	SPACE		13	A	14		SPACE												
	SPACE		15	B	16	80A/2P	PANEL SP1	7370											
PHASE		A		B		TOTALS		VOLTS: 120/240V, 1ϕ, 3W		A		B		TOTALS		VOLTS: 120/240V, 1ϕ, 3W			
VOLTAMPS		7420		7190		14610				7370		7190		14560					
MAINS: 100 AMP MAIN BREAKER				POLES: 16 POSITIONS				MOUNTING: INSIDE PEDESTAL				MOUNTING: INSIDE PEDESTAL							

PANEL NO: SP1 (SWITCHED PORTION OF PANEL)										22000 AIC									
VA	FUNCTION	SIZE	CKT	PH	CKT	SIZE	FUNCTION	VA	FUNCTION	SIZE	CKT	PH	CKT	SIZE	FUNCTION	VA			
850	STREET LIGHTS - NORTH SIDE OF MAIN STREET	20A/2P	17	A	18	20A/2P	STREET LIGHTS - NORTH SIDE OF MAIN STREET	1070											
850	SPACE		19	B	20		SPACE	1070											
960	STREET LIGHTS - SOUTH SIDE OF MAIN STREET	20A/2P	21	A	22	20A/2P	STREET LIGHTS - SOUTH SIDE OF MAIN STREET	1070											
960	SPACE		23	B	24		SPACE	1070											
720	RECEPTACLES - NW	20A/1P	25	A	26	20A/1P	RECEPTACLES - NE	900											
720	RECEPTACLES - NW	20A/1P	27	B	28	20A/1P	RECEPTACLES - NE	900											
900	RECEPTACLES - SW	20A/1P	29	A	30	20A/1P	RECEPTACLES - SE	900											
720	RECEPTACLES - SW	20A/1P	31	B	32	20A/1P	RECEPTACLES - SE	900											
PHASE		A		B		TOTALS		VOLTS: 120/240V, 1ϕ, 3W		A		B		TOTALS		VOLTS: 120/240V, 1ϕ, 3W			
VOLTAMPS		7370		7190		14560				7370		7190		14560					
MOUNTING: INSIDE PEDESTAL				MOUNTING: INSIDE PEDESTAL				MOUNTING: INSIDE PEDESTAL				MOUNTING: INSIDE PEDESTAL							

BRIC
PARTNERSHIP, LLC
CONSULTING ENGINEERS

100 EAST WASHINGTON, SUITE 220
BELLEVILLE, IL 62220
TEL 618.277.5200
FAX 618.277.5227

QATES ASSOCIATES

COLLINSVILLE
STREETSCAPE
PLAN VIEW

DRAWN BY: GYK
CHKD BY: LLH
DATE: 06/01/07

JOB NO.: C-98-304-07
E-3
SHEET 3 OF 3 SHEETS