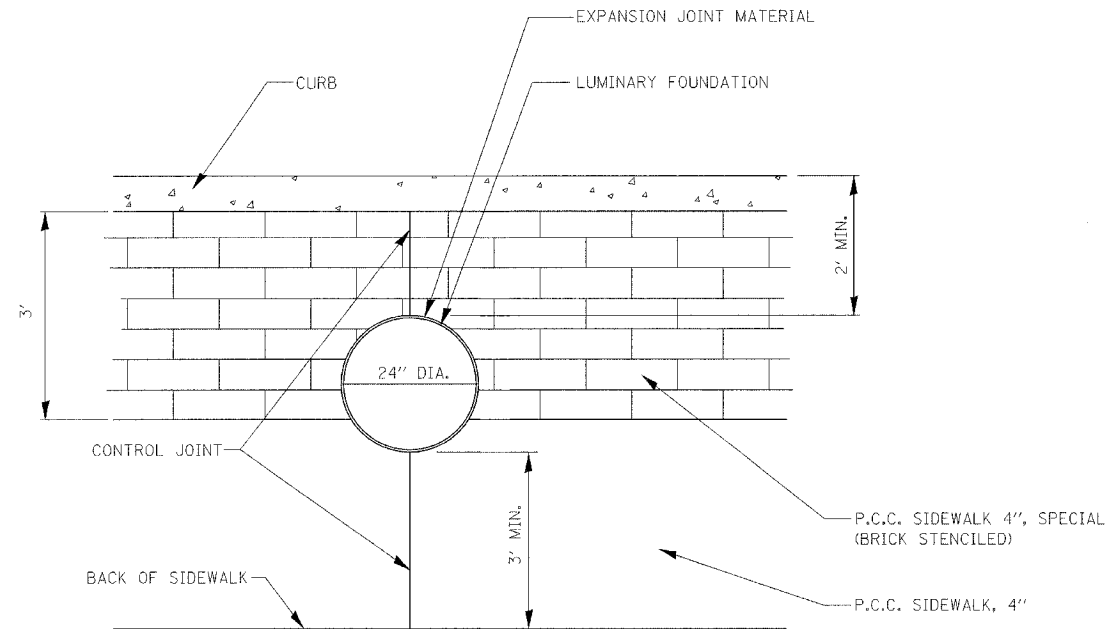


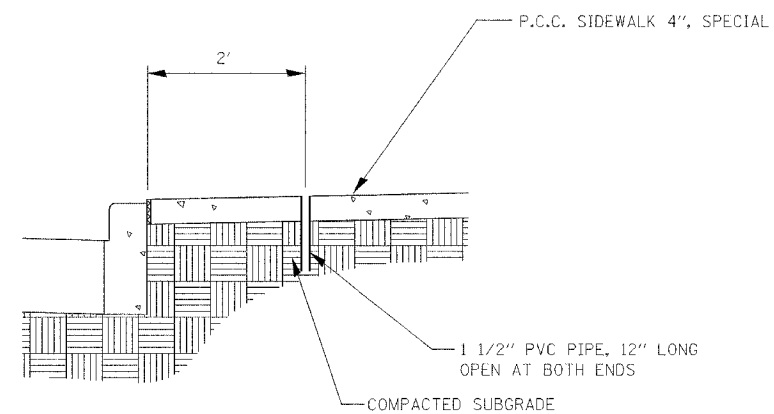
F.A. RTE.	SECTION	COUNTY	TOTAL SHEETS	SHEET NO.
9127	06-00081-02-LS	MADISON	45	29
STA.	TO STA.			
FED. ROAD DIST. NO.	ILLINOIS	FED. AID PROJECT		
LUMINAIRE DETAIL SHEET				

**LUMINARY SCHEDULE**

STATION	LT / RT	LIGHT POLE FDN 24 83600200 (FOOT)	SINGLE ST LT & POLE XX004818 (EACH)	FLAG POLE INSERT XX004977 (EACH)	LIGHTING FDN REMOV 84200700 (EACH)
<b>WEST MAIN STREET</b>					
10+65	RT	6.5	1		
10+65	LT	6.5	1		
12+15	RT	6.5	1		
12+15	LT	6.5	1		
13+30	RT	6.5	1		
13+70	LT	6.5	1		
14+00	RT	6.5	1		
15+20	LT	6.5	1		
15+20	RT	6.5	1		
16+80	RT	6.5	1		
16+80	LT	6.5	1		
17+55	RT	6.5	1		
17+80	LT	6.5	1		
19+20	LT	6.5	1		
19+20	RT	6.5	1		
20+65	RT	6.5	1		
20+80	LT	6.5	1		
21+52	LT				1
21+55	LT	6.5	1		
21+80	RT	6.5	1		
21+87	LT			1	
22+08	LT			1	
22+15	LT	6.5	1		
22+15	LT	6.5	1		
22+20	LT			1	
22+42	RT				1
22+52	LT			1	
22+75	LT			1	
22+96	LT			1	
23+05	RT	6.5	1		
23+05	LT	6.5	1		
23+29	RT			1	
23+54	RT			1	
23+73	RT			1	
23+80	LT	6.5	1		
23+90	RT	6.5	1		
23+95	RT			1	
24+17	RT			1	
24+39	RT			1	
24+50	LT	6.5	1		
24+85	RT	6.5	1		
25+15	LT	6.5	1		1
25+55	RT	6.5	1		
25+72	RT				
26+00	LT	6.5	1		
26+55	RT	6.5	1		
26+70	LT			1	
26+89	LT				1
26+98	LT			1	
27+05	LT	6.5	1		
27+30	RT	6.5	1		
28+00	LT	6.5	1		
28+00	RT	6.5	1		
28+70	RT	6.5	1		
28+70	LT	6.5	1		
<b>SUBTOTALS</b>		<b>240.5</b>	<b>37</b>	<b>14</b>	<b>4</b>
<b>CLINTON STREET</b>					
50+40	LT	6.5	1		
50+40	RT	6.5	1		
51+00	RT	6.5	1		
51+10	LT	6.5	1		
51+75	LT	6.5	1		
51+80	RT	6.5	1		
52+10	LT	6.5	1		
52+10	RT	6.5	1		
52+95	LT	6.5	1		
52+95	RT	6.5	1		
54+90	RT	6.5	1		
54+95	LT	6.5	1		
55+70	LT	6.5	1		
55+70	RT	6.5	1		
<b>SUBTOTALS</b>		<b>91</b>	<b>14</b>	<b>0</b>	<b>0</b>
<b>TOTALS</b>		<b>331.5</b>	<b>51</b>	<b>14</b>	<b>4</b>



**LIGHT POLE FOUNDATION DETAIL**  
(NOT TO SCALE)



**FLAG POLE INSERT DETAIL**  
(NOT TO SCALE)

NOTES: THE VOID CREATED BY THE LUMINAIRE FOUNDATION REMOVAL SHALL BE FILLED ACCORDING TO WITH SECTION 815 OF THE STANDARD SPECIFICATIONS; HOWEVER, THE BACKFILL SHALL BE INCLUDED IN THE COST OF LUMINAIRE FOUNDATION REMOVAL. NO ADDITIONAL COMPENSATION WILL BE ALLOWED.