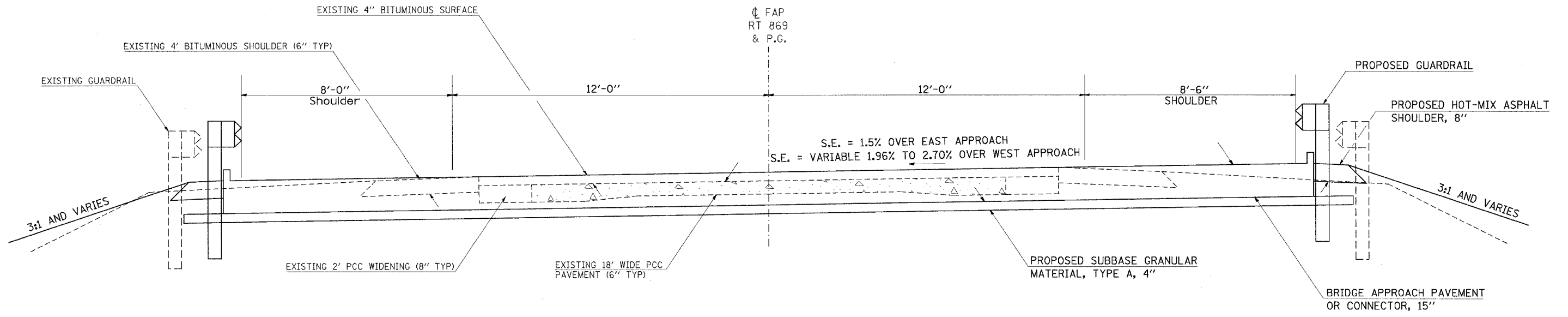
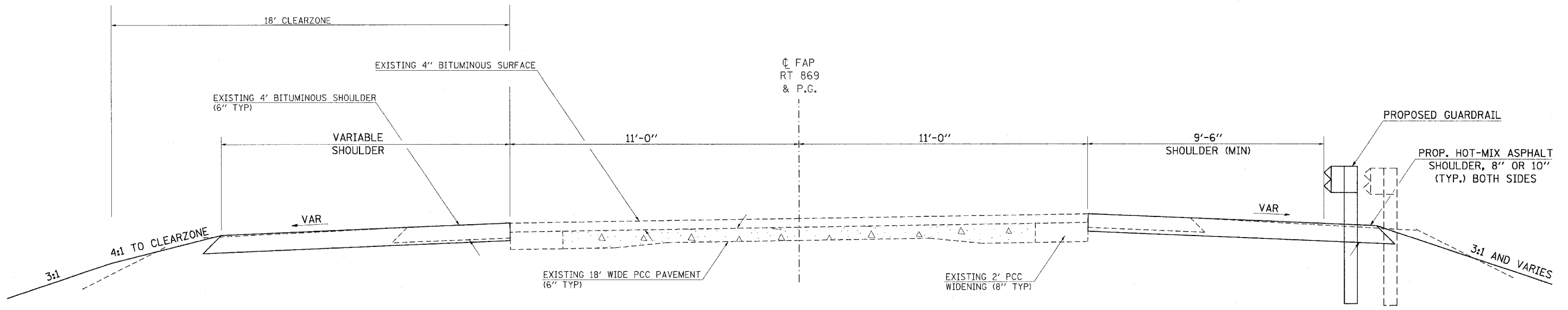


F.A.P. RTE	SECTION	COUNTY	TOTAL SHEETS	SHEET NO
869	104B-2	FRANKLIN	56	26
STA.		TO STA.		
FED. ROAD DIST. NO. -		ILLINOIS	FED. AID PROJECT	



TYPICAL SECTION WITHIN PAVEMENT REMOVAL
(LOOKING EAST)



TYPICAL SECTION OUTSIDE PAVEMENT REMOVAL
(LOOKING EAST)

5/4/2007
 c:\projects\98775\104B-2\104B-2.dgn
 52.0636 / IN.
 10:00 AM