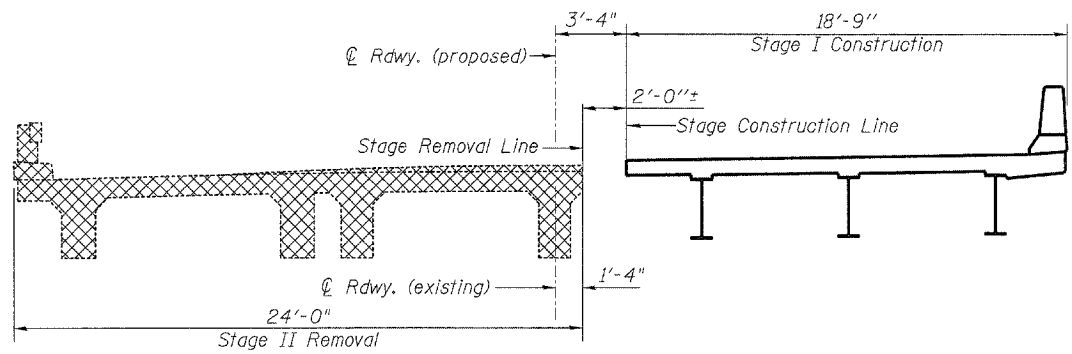
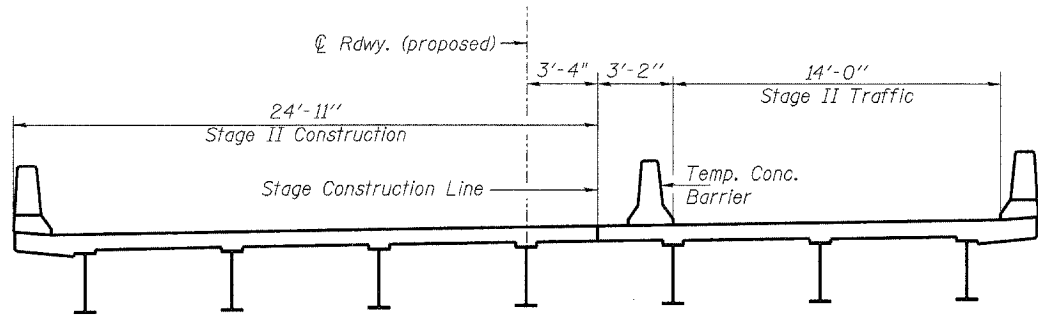


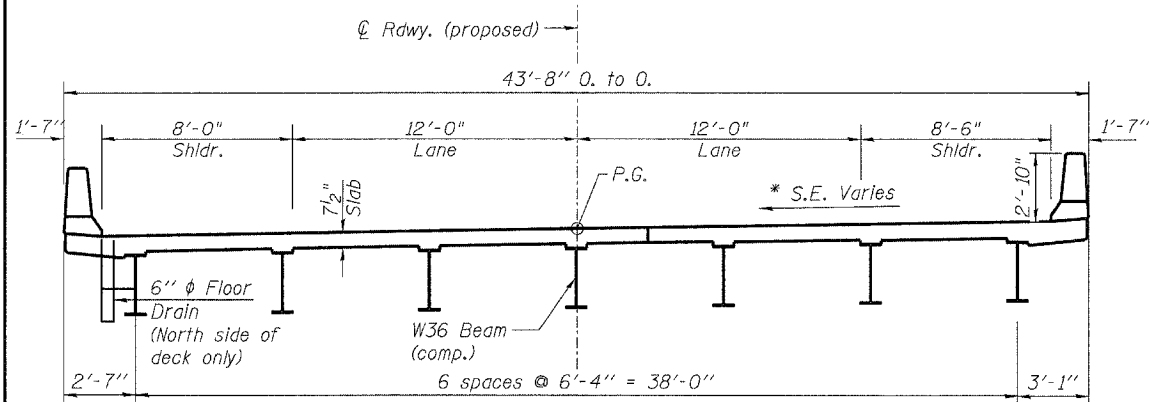
STAGE I REMOVAL & TRAFFIC
(Looking East)



STAGE I CONSTRUCTION & STAGE II REMOVAL
(Looking East)

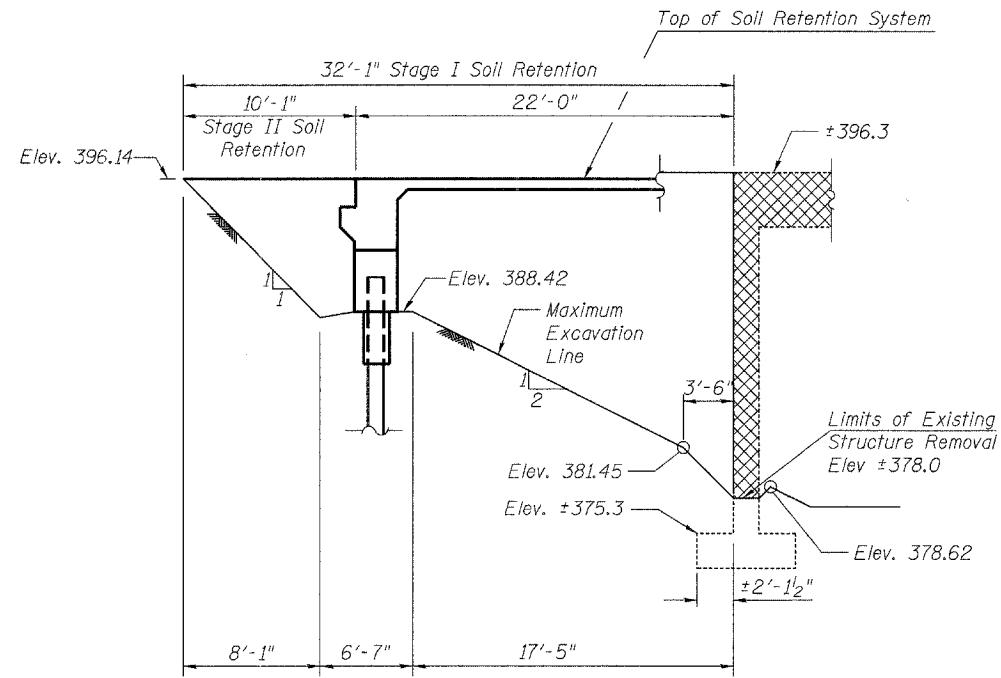


STAGE II CONSTRUCTION & TRAFFIC
(Looking East)

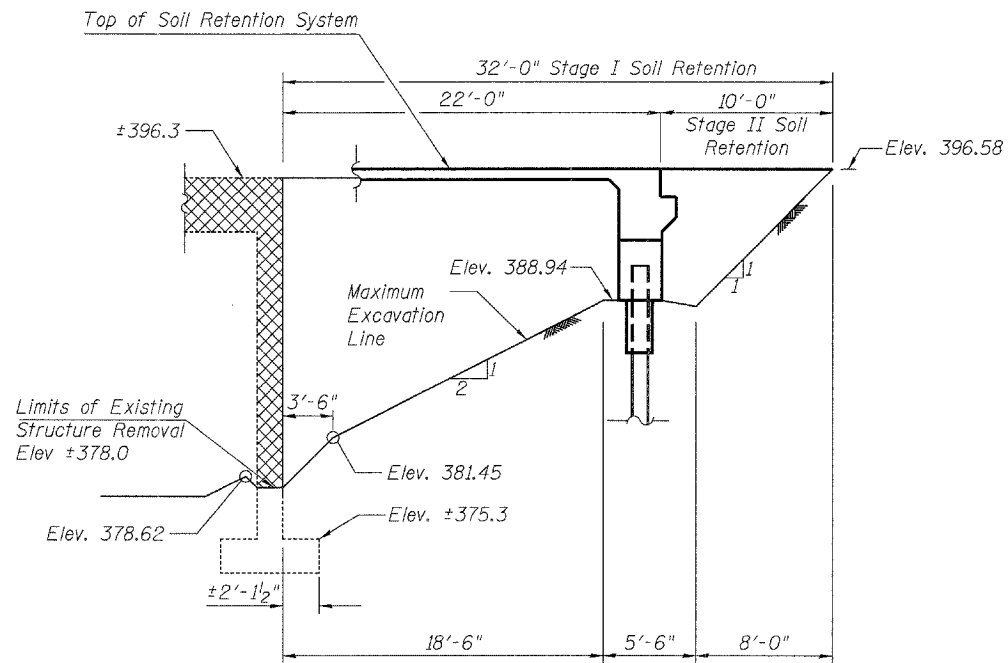


PROPOSED CROSS SECTION
(Looking East)

*Varies from 1.965% at the West Abutment to 1.5% at Station 603+59.00
Constant 1.5% from Station 603+59.00 to the East Abutment



TEMPORARY SOIL RETENTION SYSTEM AT WEST ABUT.



TEMPORARY SOIL RETENTION SYSTEM AT EAST ABUT.

Notes:

- A cantilevered sheet piling design does not appear feasible and additional members or other retention systems may be necessary. The Contractor shall submit a temporary soil retention system design including plan details and calculations for review and acceptance by the Engineer.
- Location of Stage Removal & Construction lines is also applicable to existing abutments.
- Cross-hatched areas indicate removal of existing structures.
- Removal of existing bridge railing and bituminous wearing surface is included with the Removal of Existing Structure.
- See roadway plans for quantity of Temporary Concrete Barrier.
- See sheet 12 of 16 for details of Temporary Concrete Barrier.

REVISIONS	
NAME	DATE

Lin Engineering, Ltd.
Consulting Engineers
Chatham, Illinois

Designed By: JGT
Checked By: MTH
Date: 12/06

Drawn By: AJF
File: 028-0076.DGN

ILLINOIS DEPARTMENT OF TRANSPORTATION
STAGE CONSTRUCTION DETAILS
ILLINOIS ROUTE 14 OVER
ANDY CREEK
F.A.P. ROUTE 869 - SECTION 104B-2
FRANKLIN COUNTY
STATION 603+80.00
STRUCTURE NO. 028-0076

E:\0602\Plans\028-0076.dgn
3:04:33 PM
5/7/2007