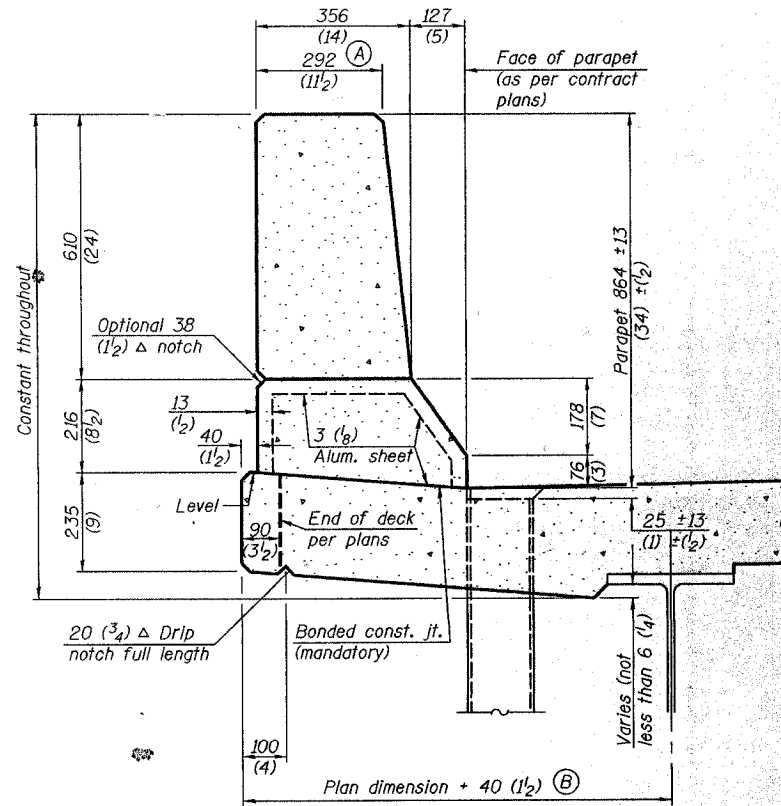


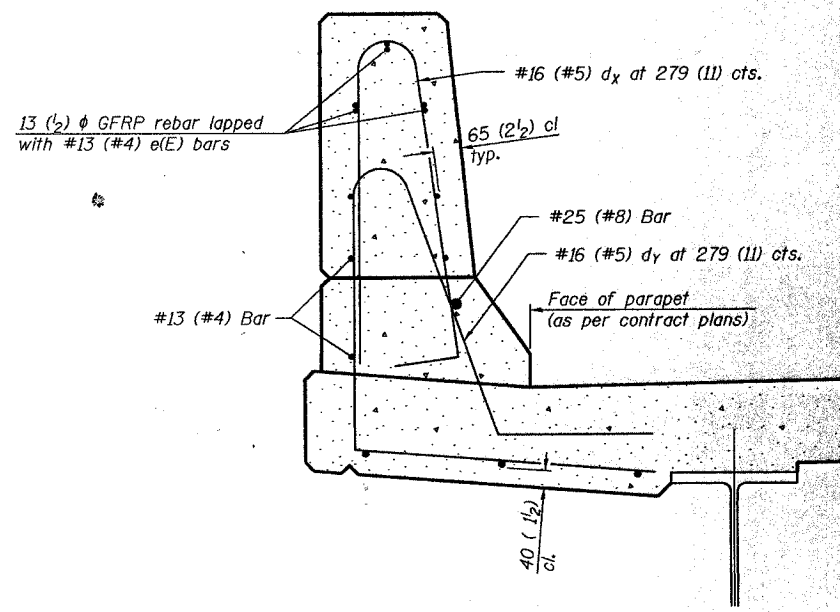
STATE OF ILLINOIS  
DEPARTMENT OF TRANSPORTATION

ROUTE NO.	SECTION	COUNTY	SHEET NO.	SHEET NO.	SHEET NO.
F.A.P. 869	104B...	FRANKLIN	56	56B.	
FED. ROAD DIST. NO. 7		ILLINOIS		FED. AID PROJECT-	

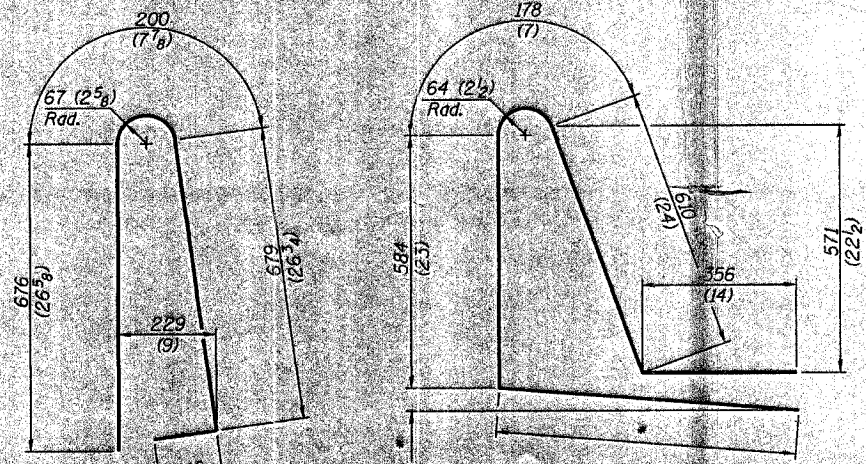
Contract # 98775



**SECTION**  
(Showing dimensions)



**SECTION**  
(Showing required reinforcement)

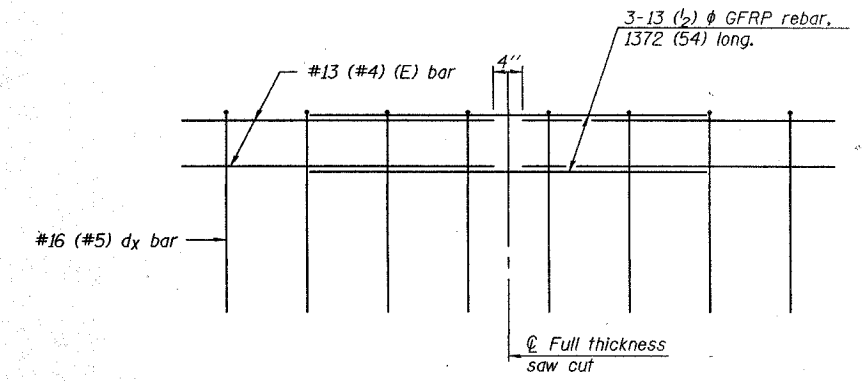


**BAR d\_x(e)**

**BAR d\_x(e)**  
Per contract plans

**GENERAL NOTES**

All dimensions shall remain the same as shown on contract plans, except dimensions A and B which are to be revised as shown to provide additional clearance. Additional concrete needed to revise dimension A and B= 0.0422 m<sup>3</sup>/m (0.165 cu. yds./ft.) of parapet. Place aluminum sheet in curb portion at and near piers. Full thickness saw cut at all other locations. Adjust/add joint locations to maintain 3 to 6 meter (10 to 20 foot) spacing.



**GFRP REBAR STIFFENING DETAIL**  
(Place as shown in parapet section)

**CONCRETE PARAPET  
SLIPFORMING OPTION**