



FAP RTE	SECTION	COUNTY	TOTAL SHEETS	SHEET NO.
328	(105X)BR	WHITE	42	8
STA. 594+00		TO STA. 603+00		
FED. ROAD DIST. NO.		ILLINOIS FED. AID PROJECT		

SCHEDULE OF QUANTITIES

STATION TO	STATION	FEET
598+32	599+20	88
TOTAL		88

RELOCATE TEMPORARY CONCRETE BARRIER

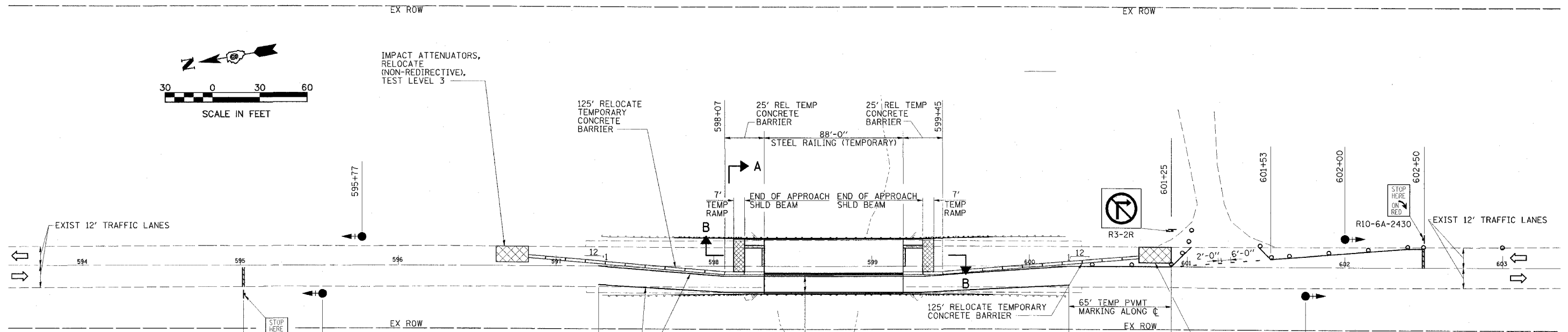
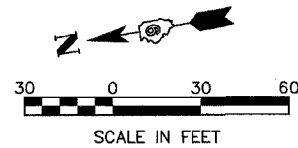
STATION TO	STATION	FEET
596+82	598+32	150
599+20	600+70	150
TOTAL		300

IMPACT ATTENUATORS, RELOCATE (NON-REDIRECTIVE), TEST LEVEL 3 - 2 EACH

TEMPORARY TRAFFIC BARRIER TERMINAL, TYPE 11 - 2 EACH

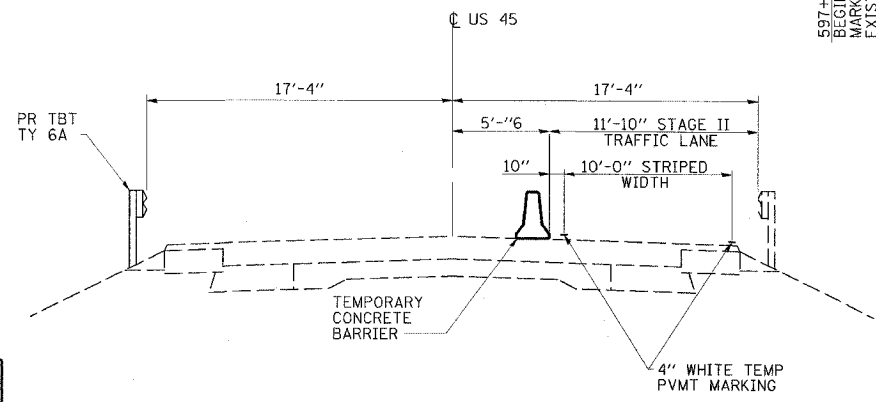
GENERAL NOTES

- TRAFFIC CONTROL SHALL BE ERECTED AS SHOWN AND ACCORDING TO "TRAFFIC CONTROL AND PROTECTION, STANDARD 701321."
- SEE SPECIAL PROVISIONS FOR ADDITIONAL TRAFFIC CONTROL REQUIREMENTS.
- COORDINATE LOCATION OF SIGNALS WITH FINAL WORK AS DIRECTED BY THE ENGINEER.
- CONSTRUCT TEMPORARY RUMBLE STRIPS AT LOCATIONS SHOWN ON STANDARD 701321.
- STEEL RAILING (TEMPORARY) AND TEMPORARY CONCRETE BARRIER SHALL BE CONNECTED ACCORDING TO "TRAFFIC BARRIER TERMINAL TYPE 11, STANDARD 631051."

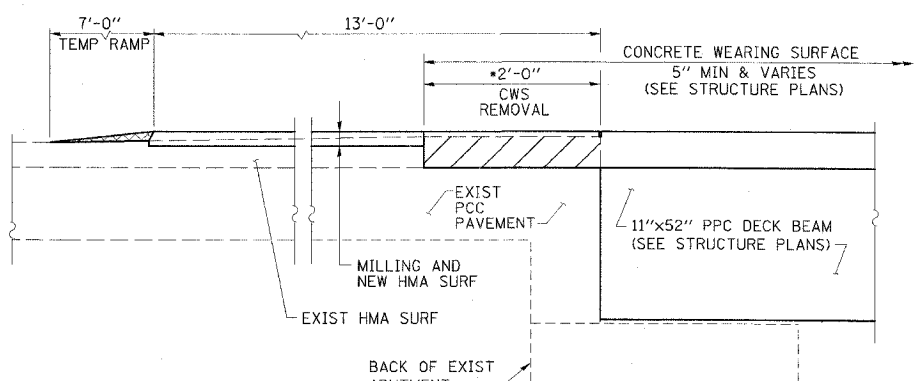


LEGEND

- TRAFFIC SIGNAL WITH BACKPLATE SIGNAL DIRECTION INDICATED
- TEMPORARY RAMP
- PAVEMENT REMOVAL
- CWS REMOVAL



SECTION A-A



SECTION B

ESCA
CONSULTANTS, INC.

DESIGNED BY:	JMS/MTD	02/07
DRAWN BY:	JPC	02/07
CHECKED BY:	MTD	02/07
APPROVED BY:	RDP	04/07

STAGE II CONSTRUCTION
FAP RTE 328 (US 45)
SECTION (105X)BR
WHITE COUNTY

PLOT DATE = 04/07
FILE NAME = 105X.BR
PLOT SCALE = 1/8"=1'-0"
REFERENCE = SHEET