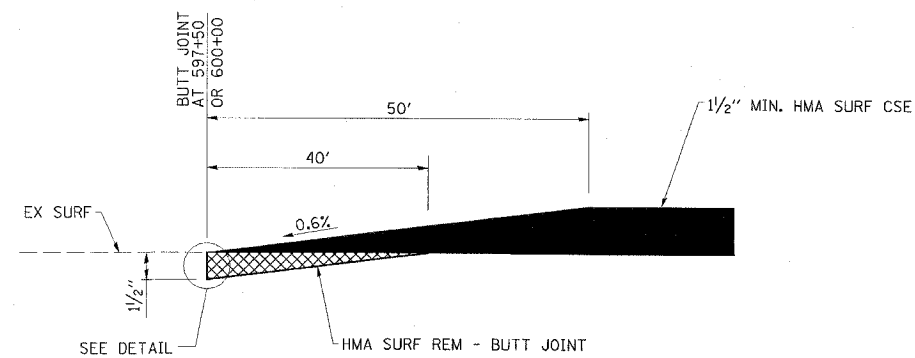
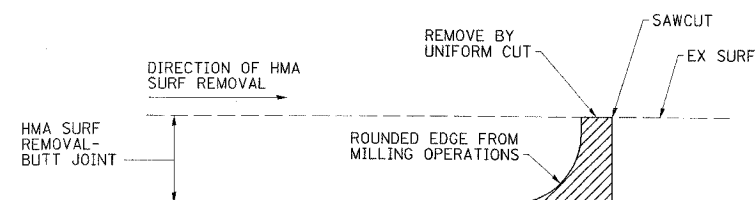


FAP RTE	SECTION	COUNTY	TOTAL SHEETS	SHEET NO.
328	(105X)BR	WHITE	42	11
STA.		TO STA.		
FED. ROAD DIST. NO.		ILLINOIS FED. AID PROJECT		



TYPICAL BUTT JOINT SECTION



DETAIL AT BUTT JOINT

NOTE:
 WHEN MILLING OPERATIONS PRODUCE A ROUNDED EDGE, THEN A SAWCUT SHALL BE USED TO MANUFACTURE A PERPENDICULAR EDGE AS SHOWN IN THE DETAIL. THE COST OF ALL WORK SHOWN IN THE DETAIL IS INCLUDED IN HOT-MIX ASPHALT SURFACE REMOVAL - BUTT JOINT. THE ENGINEER SHALL BE THE SOLE JUDGE CONCERNING THE USE OF THIS DETAIL.

ESCA
 CONSULTANTS, INC.

DESIGNED BY:	MTD	02/07
DRAWN BY:	CJ/KAH	02/07
CHECKED BY:	MTD	02/07
APPROVED BY:	RDP	04/07

MISCELLANEOUS DETAILS
 FAP RTE 328 (US 45)
 SECTION (105X)BR
 WHITE COUNTY