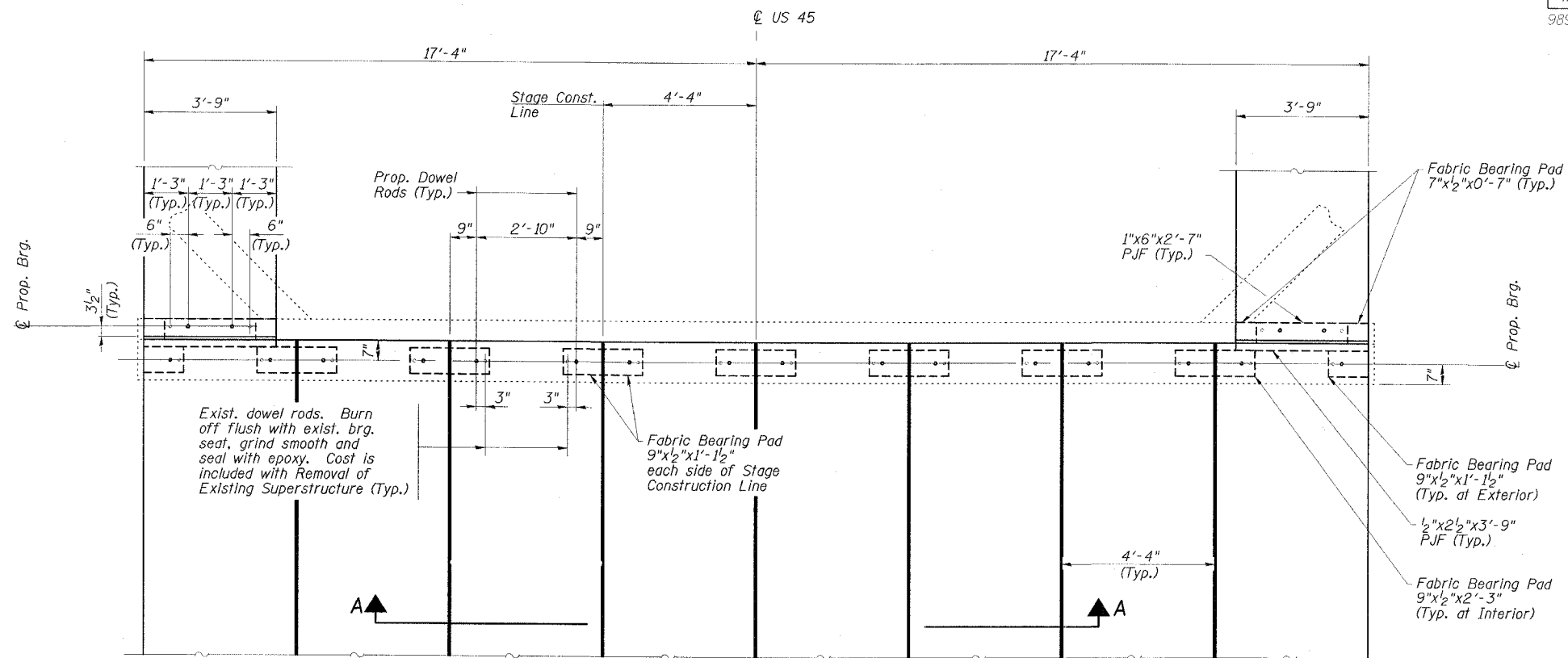


STATE OF ILLINOIS  
DEPARTMENT OF TRANSPORTATION

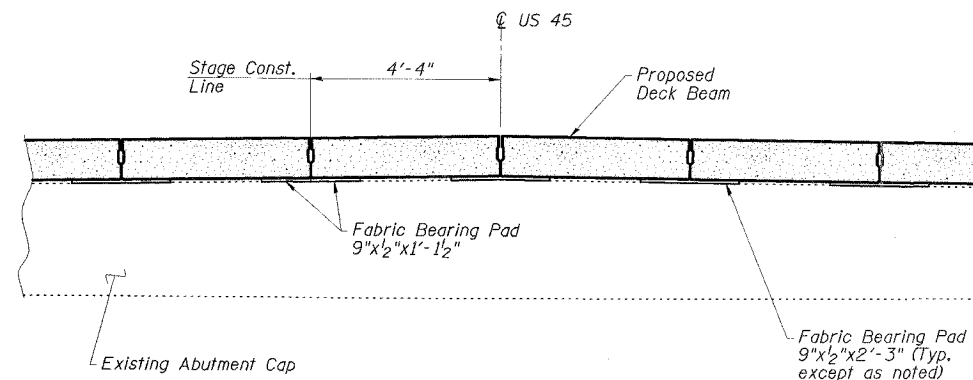
ROUTE NO.	SECTION	COUNTY	ISSUE NO.	SHEET NO.	SHEET NO. 12
FAP 328	*	WHITE	42	23	17 SHEETS
FED. ROAD DIST. NO.	ILLINOIS	FED. AID PROJECT*			
98997			*(105X)BR		



N. Abut. shown; S. Abut. similar

**ABUTMENT BEARING SEAT PLAN**

(Concrete wearing surface and approach pavement not shown)



**SECTION A-A**

(Concrete wearing surface not shown)

**ABUTMENT DETAILS**  
US 45 OVER SKILLET FORK OVERFLOW  
FAP ROUTE 328 - SECTION (105X)BR  
WHITE COUNTY  
STATION 598+76.00  
STRUCTURE NO. 097-0019

**ESCA**  
CONSULTANTS, INC.

DESIGNED BY:	RDP	01/07
DRAWN BY:	DWH	01/07
CHECKED BY:	JMS/MTD	01/07
APPROVED BY:	RDP	04/07