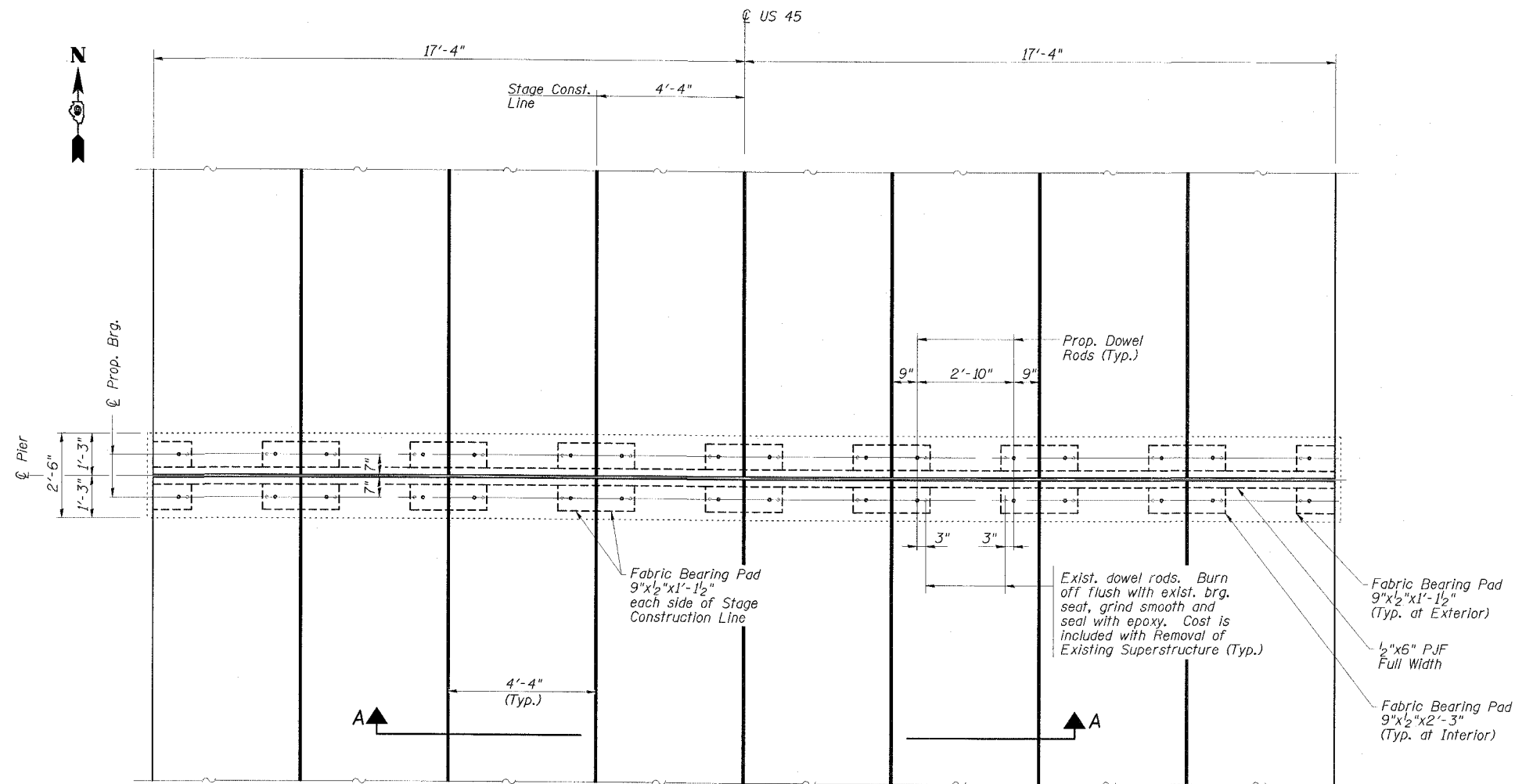
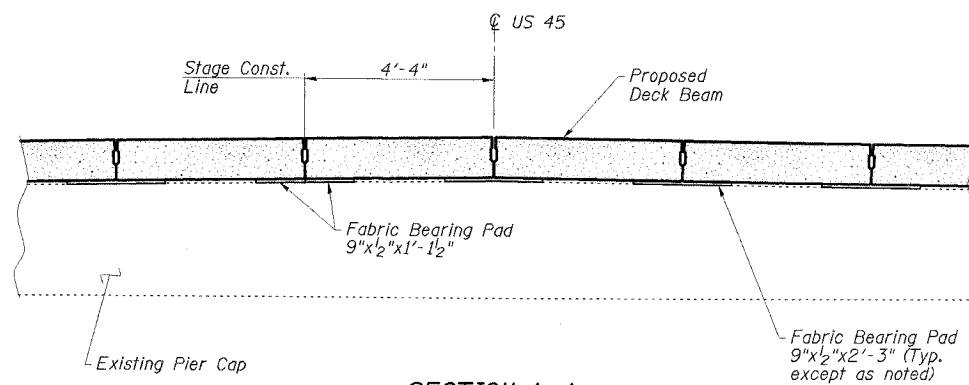


STATE OF ILLINOIS
DEPARTMENT OF TRANSPORTATION

ROUTE NO.	SECTION	COUNTY	TOTAL SHEETS	SHEET NO.	SHEET NO.
FAP 328	*	WHITE	42	27	17 SHEETS
FED. ROAD DIST. NO.	ILLINOIS	FED. AID PROJECT	*105X)BR		
98997					



TYPICAL PIER BEARING SEAT PLAN
(Concrete wearing surface not shown)



SECTION A-A
(Concrete wearing surface not shown)

PIER DETAILS
US 45 OVER SKILLET FORK OVERFLOW
FAP ROUTE 328 - SECTION (105X)BR
WHITE COUNTY
STATION 598+76.00
STRUCTURE NO. 097-0019

ESCA CONSULTANTS, INC.		
DESIGNED BY:	RDP	01/07
DRAWN BY:	DWH	01/07
CHECKED BY:	JMS/MTD	01/07
APPROVED BY:	RDP	04/07