

**STORM WATER POLLUTION PREVENTION NOTES**

**GENERAL**  
 THE CONTRACTOR SHALL IMPLEMENT ALL PROVISIONS OF THE CONTRACT DOCUMENTS TO ASSURE THAT STORM WATER POLLUTION PREVENTION ITEMS ARE CONSTRUCTED AND MAINTAINED IN A TIMELY MANNER. SEDIMENTATION MUST NOT BE TRANSPORTED OFF THE CONSTRUCTION SITE. PERMANENT DRAINAGE FEATURES AND VEGETATIVE MEASURES SHALL BE PROVIDED AS SOON AS POSSIBLE.

THE MAINTENANCE OF ALL STORM WATER POLLUTION PREVENTION MEASURES IS INCIDENTAL TO THE ASSOCIATED ITEM.

**POLLUTION PREVENTION MEASURES**  
 THE CONTRACTOR SHALL BE REQUIRED TO IMPLEMENT AND MAINTAIN STORM WATER POLLUTION PREVENTION PRACTICES AND MEASURES PRIOR TO THE STRIPPING OF EXISTING VEGETATION WHERE EVER POSSIBLE AND AS SOON AS CONSTRUCTION PERMITS IN OTHER AREAS. POLLUTION CONTROL MEASURES SHALL BE IN ACCORDANCE WITH THE CONTRACT DOCUMENTS, INCLUDING THESE CONSTRUCTION PLANS, AND WITH STANDARDS AND SPECIFICATIONS FOR SOIL EROSION AND SEDIMENT CONTROL, ILLINOIS ENVIRONMENTAL PROTECTION AGENCY, CURRENT ISSUE. THE CONTRACTOR SHALL ADJUST HIS OPERATIONS AND IMPLEMENT POLLUTION CONTROL MEASURES SO THAT NO RUNOFF FROM STRIPPED AREAS WILL LEAVE THE CONSTRUCTION SITE OTHER THAN THROUGH SEDIMENT TRAPS OR OTHER SUITABLE CONTROL MEASURES.

POLLUTION CONTROL ITEMS SHALL BE PROVIDED AS NOTED ON THE STORM WATER POLLUTION PREVENTION PLAN AND IN THE STORM WATER POLLUTION PREVENTION DETAILS AND AS DIRECTED BY THE ENGINEER. THE LIMITS OF SUCH MEASURES SHALL BE STAKED BY THE CONTRACTOR PRIOR TO THE COMMENCEMENT OF CONSTRUCTION. SUCH LIMITS MAY BE ADJUSTED BY THE ENGINEER TO ACCOUNT FOR ACTUAL SITE CONDITIONS EXPERIENCED DURING CONSTRUCTION. ADDITIONAL COMPENSATION FOR MEASURES EXCEEDING THE PLAN QUANTITIES WILL BE PAID FOR AT THE CONTRACT UNIT PRICE FOR EACH ITEM.

THE CONTRACTOR IS TO MAINTAIN AND ADJUST, REPAIR OR REPLACE ALL POLLUTION PREVENTION MEASURES AS REQUIRED OR AS DIRECTED BY THE ENGINEER UNTIL PERMANENT VEGETATION HAS BEEN ESTABLISHED. MAINTENANCE OF POLLUTION CONTROL MEASURES IS TO BE PROVIDED AT NO ADDITIONAL COST TO THE CONTRACT.

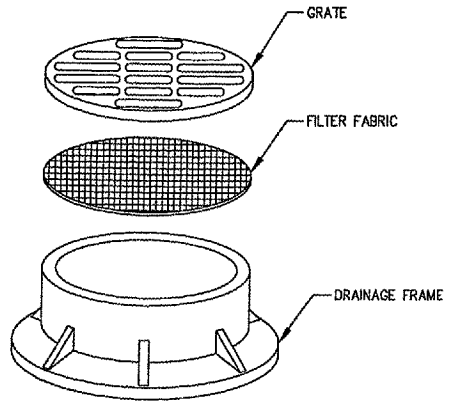
ADDITIONAL STORMWATER POLLUTION PREVENTION MEASURES ARE EXISTING ON SITE LOCATED AT DRAINAGE FACILITIES AND ALONG THE PROPERTY LINE.

**LEGEND**

- PROPOSED SEEDING AND MULCHING (4.6 ACRES)
- LIMITS OF SEEDING AND MULCHING
- PROPOSED INLET PROTECTION (11 EACH)

**LANDSCAPING NOTES:**

1. OUTER LIMITS OF SEEDING AND MULCHING TO FOLLOW THE LIMITS SHOWN ON THIS SHEET.
2. SEE CROSS SECTIONS AND STAKING PLANS FOR ADDITIONAL CONSTRUCTION LIMITS INFORMATION.
3. SEE STAGING PLAN FOR ADDITIONAL HAUL ROUTE INFORMATION.
4. SEE STAKING PLAN, SHEET 16, FOR BASELINE/ALIGNMENT DATA.



**INLET PROTECTION - DRAINAGE STRUCTURE FILTER WRAP**

**NOTES:**

1. FILTER WRAP TO BE PLACED IN ALL MANHOLES AS SHOWN.
2. FABRIC SHALL BE IN CONFORMANCE WITH MATERIALS SPECIFIED FOR SILT FENCE.
3. FABRIC SHALL OVERLAY FRAME BY 2 INCHES (MINIMUM).
4. CONTRACTOR SHALL CLEAR DEBRIS AND SILT AS REQUIRED FROM FABRIC TO MAINTAIN DRAINAGE THROUGH THE STRUCTURE.
5. FABRIC SHALL REMAIN IN PLACE UNTIL TURFED AREAS HAVE DEVELOPED A MINIMUM OF 80% OF COVERAGE.
6. COST OF FILTER WRAP SHALL BE INCIDENTAL TO INLET PROTECTION.

DI023



815 Commerce Drive Suite 200  
 Oak Brook, Illinois 60523  
 Telephone: 630.990.3800  
 Fax: 630.990.3801



**CITY OF DIXON, ILLINOIS**  
 Post Office Box 386  
 Dixon, Illinois 61021  
 Telephone: 815.288.1485

**DIXON MUNICIPAL AIRPORT  
 CHARLES R. WALGREEN FIELD**

**REPAIR AND OVERLAY  
 PORTIONS OF RUNWAY 12-30**

**AIP PROJECT NO. 3-17-0096-B10  
 IDA PROJECT NO. C73-3686**

No.	Drawing Issue Description	Date	By

Date  
 APRIL 20, 2007  
 Sheet Title

**LANDSCAPING AND  
 STORM WATER POLLUTION  
 PREVENTION PLAN**

843-06B8013  
 Project Number  
 LDH 09/14/06  
 Layout By Date  
 LDH 09/14/06  
 Designed By Date  
 RMH 04/20/07  
 Reviewed By Date  
 LDH  
 Drawn By Sheet No.

P:\06\2005\0284-1\06B8013\06B8013.DWG (MUNICIPAL AIRPORT) SHEETS\06-LANDSCAPING SWPP PLAN\LDH MAY 11, 2007 10:06AM LDH