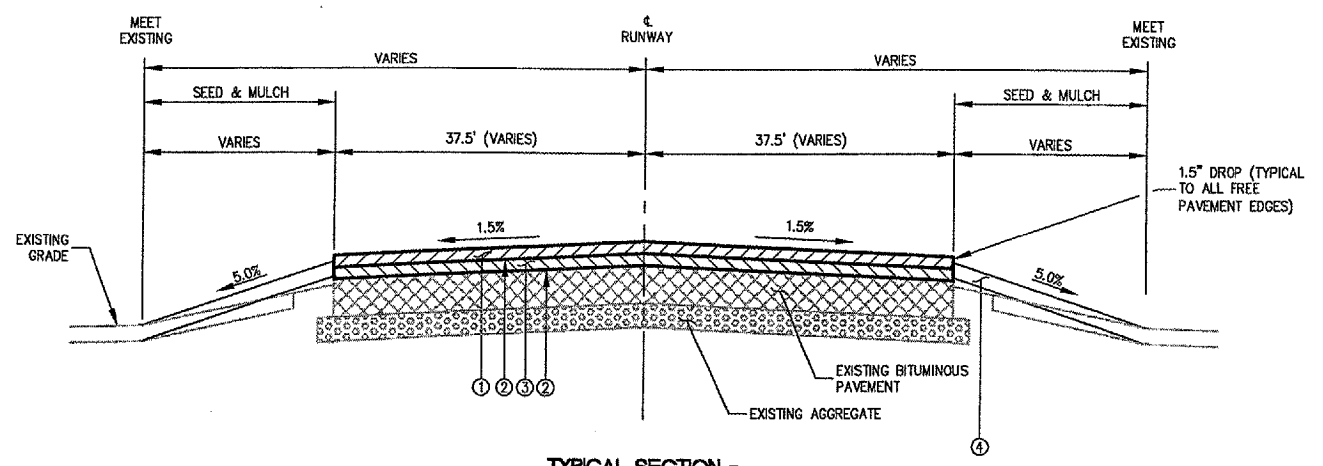
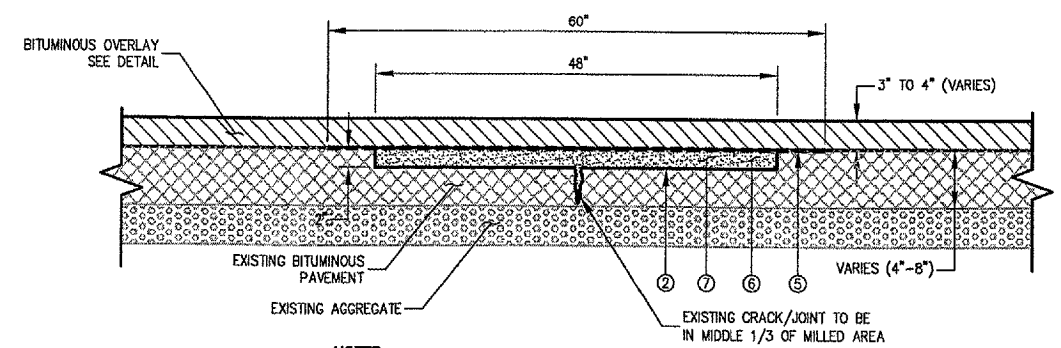


TYPICAL SECTION - TAXIWAYS D, A AND E

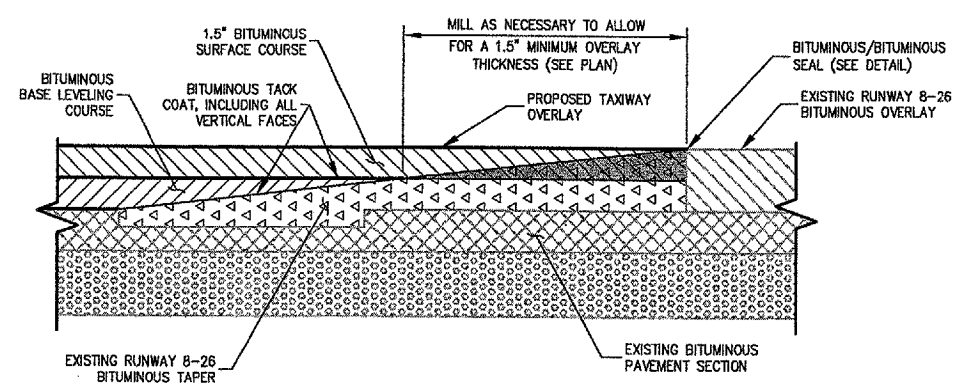


TYPICAL SECTION - RUNWAY 12-30



- NOTES:**
1. TACK COAT ALL VERTICAL FACES.
 2. MILLING AND BITUMINOUS SAND MIX QUANTITIES BASED ON 52\"/>

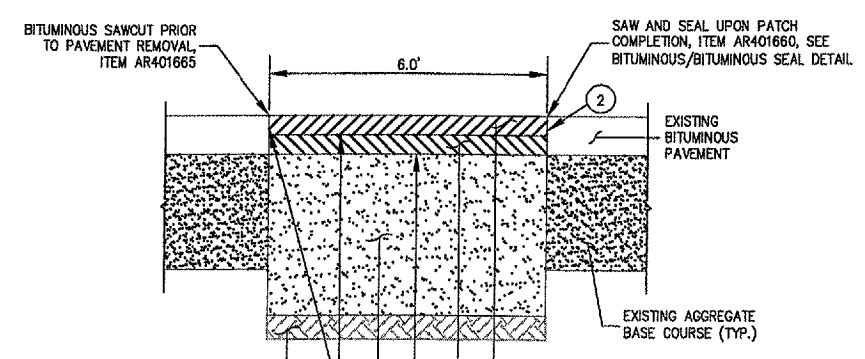
TYPICAL SECTION - PARTIAL DEPTH BITUMINOUS CRACK REPAIR AND PATCH



BITUMINOUS MILLING DETAIL

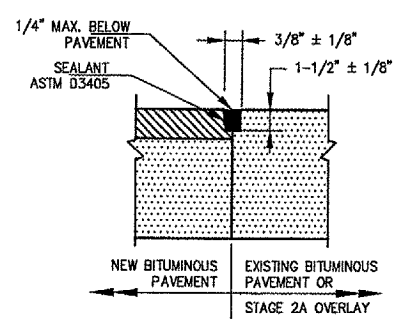
LEGEND

① PROPOSED 1 1/2 INCH BITUMINOUS SURFACE COURSE, ITEM AR401610.	⑦ PAVEMENT MILLING, ITEM AR401650.
② PROPOSED BITUMINOUS TACK COAT, ITEM AR603510.	⑧ PROPOSED BITUMINOUS PRIME COAT, ITEM AR602510.
③ PROPOSED BITUMINOUS BASE LEVELING COURSE (DEPTH VARIES APPROXIMATELY 1.5\"/>	



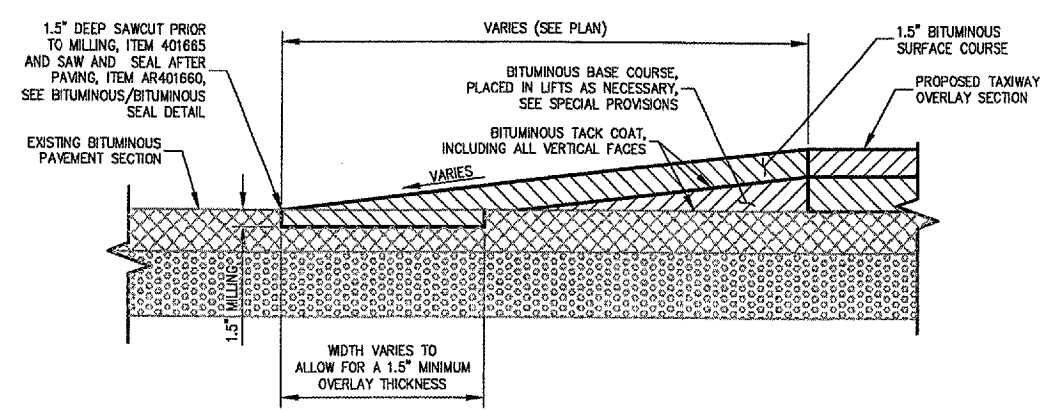
- NOTES:**
1. ALL WORK RELATED TO THE PAVEMENT REMOVAL AND REPLACEMENT IS INCLUDED IN ITEM AR401910 EXCEPT FOR PAVEMENT SAWING.
 3. WIDTH OF PATCH SHALL BE REDUCED BASED ON REQUIRED WIDTH OF PATCH. WIDTH NOT TO EXCEED THAT SHOWN ON THE DETAIL.

BITUMINOUS PAVEMENT REMOVAL AND REPLACEMENT (ITEM AR401910)



- NOTE:**
ALL JOINT SEALING TO BE PAID UNDER SAW AND SEAL BITUMINOUS JOINTS, ITEM AR401660.

BITUMINOUS/BITUMINOUS SEAL



BITUMINOUS TAPER DETAIL

DETAILS SHOWN ARE NOT TO SCALE

No.	Drawing Issue Description	Date	By

Date: APRIL 20, 2007
Sheet Title:

TYPICAL SECTIONS AND PAVEMENT DETAILS

843-06B8013
Project Number

LDH	09/14/06
Layout By	Date
LDH	09/14/06
Designed By	Date
RMH	04/20/07
Reviewed By	Date
LDH	---
Drawn By	---

P:\06\005\006\01\06B8013\DRAWINGS\07-TYPICAL SECTIONS.DWG MAY 11, 2007 10:06AM LDH