



FENCE COORDINATES

POINT NO.	NORTHING	EASTING
1	769217.5103	1187325.6148
2	769247.5067	1187326.0770
3	769244.1172	1187546.0509
4	769243.5009	1187586.0461
5	769210.2744	1189742.3667
6	768801.6803	1189774.4026
7	768802.1183	1189945.4403
8	768846.8783	1189965.7996
9	769243.5454	1189969.5817
10	769250.8657	1192423.1916
11	769250.9850	1192463.1913
12	769258.4079	1194951.0877
13	769228.6104	1195325.1737
14	769230.7930	1197113.5438
15	769290.1762	1197733.8348
16	769290.2939	1197743.8341
17	769280.2944	1197743.9409

CLASS E FENCE NOTES

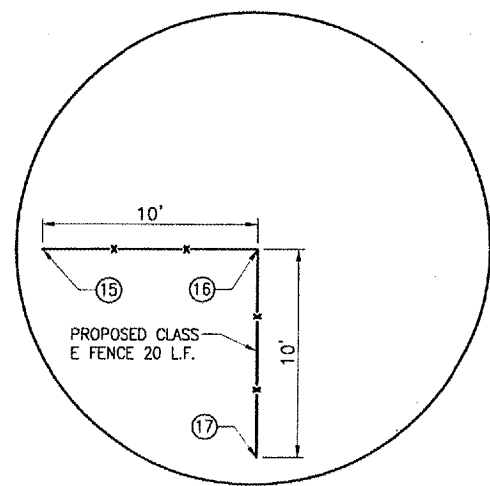
THE PROPOSED CLASS "E" FENCE SHALL BE INSTALLED AT THE LOCATIONS SHOWN ON THIS SHEET AND IN ACCORDANCE WITH THE SPECIAL PROVISIONS.

THE PROPOSED CLASS "E" FENCE WILL BE PAID FOR UNDER ITEM:
AR162506 "CLASS E FENCE 6" _____ 10,559 LIN. FT.

THE PROPOSED CLASS "E" SLIDE GATE AND SWING GATE WILL BE INSTALLED AT THE LOCATIONS SHOWN ON THIS SHEET AND IN ACCORDANCE WITH THE SPECIAL PROVISIONS.

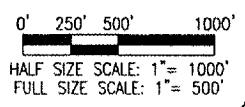
THE PROPOSED CLASS "E" SLIDE GATE WILL BE PAID FOR UNDER ITEM:
AR800524 "CLASS E MANUAL SLIDE GATE" _____ 1 EACH.

THE PROPOSED CLASS "E" SWING GATE WILL BE PAID FOR UNDER ITEM:
AR162640 "CLASS E GATE-40" _____ 1 EACH



LEGEND

- X--- EXISTING FENCE
- X--- PROPOSED CLASS E FENCE



DATE	REVISION	BY

**MID-AMERICAN AIR CENTER
LAWRENCEVILLE-VINCENNES AIRPORT
LAWRENCEVILLE, ILLINOIS**

A.I.P. PROJ.: 3-17-0061-814
IL. PROJ.: LW-3672

REV. Project No. 8120FENC0800	DATE	04/26/07
Electronic R-172FENC.DWG	MDR	04/26/07
Scale 1" = 500'	MDR	04/26/07
Date 04/26/07	CAH	05/10/07
LAYOUT	MDR	04/26/07
DRAWN	MDR	04/26/07
REVIEWED	CAH	05/10/07



**INSTALL
PERIMETER FENCING**

**PROPOSED
FENCING
PLAN**