



HANSON PROFESSIONAL SERVICES INC.
 815 Commerce Drive, Suite 200
 Oak Brook, Illinois 60523
 Telephone: 630.990.3800
 Fax: 630.990.3801

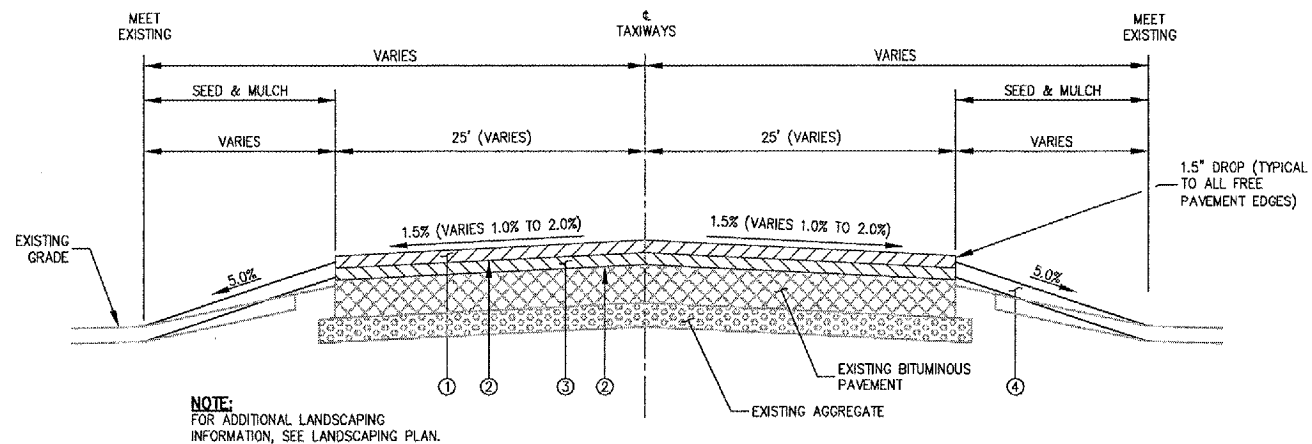
Illinois Professional Design Firm
 Registration No. 184-001084

© Copyright Hanson Professional Service Inc. 2007



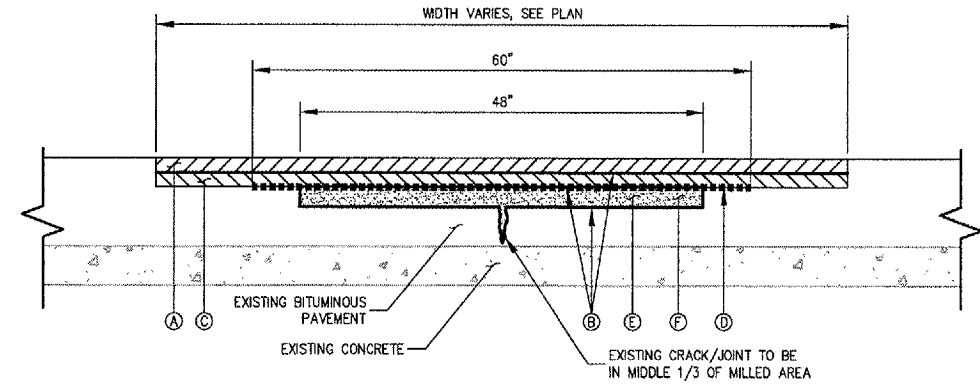
WAUKEGAN REGIONAL AIRPORT
 WAUKEGAN PORT DISTRICT
 3580 North McAree Road
 Waukegan, Illinois 60087
 Telephone: 847.244.0066
 Fax: 847.244.3813

WAUKEGAN REGIONAL AIRPORT
 REPAIR AND OVERLAY EAST
 PORTION OF TAXIWAY A
 WAUKEGAN, ILLINOIS



NOTE:
 FOR ADDITIONAL LANDSCAPING
 INFORMATION, SEE LANDSCAPING PLAN.

TAXIWAY OVERLAY TYPICAL SECTION



NOTES:

1. TACK COAT SHALL BE APPLIED TO MILLED SURFACE OUTSIDE OF CRACK CONTROL MATERIAL AND BETWEEN EACH ASPHALT LIFT INCLUDING VERTICAL FACES.
2. MILLING AND BITUMINOUS SAND MIX QUANTITIES BASED ON 48" WIDTH.
3. CRACK CONTROL MATERIAL SHALL OVERLAP BITUMINOUS SAND MIX 6" EACH SIDE.
4. BITUMINOUS PAVEMENT SAWING TO BE PAID FOR AS ITEM AR401665.
5. BITUMINOUS JOINT SEALING TO BE PAID FOR AS ITEM AR401660.
6. EXISTING WHITE EDGE MARKING WITHIN THE PATCH AREA SHALL BE REPLACED AND PAID UNDER ITEM AR620530. DESTROYED MARKING OUTSIDE THE PATCH SHALL ALSO BE REPLACED, HOWEVER THE COST IS INCIDENTAL. SEE PAVEMENT MARKING PLAN FOR DETAILS.

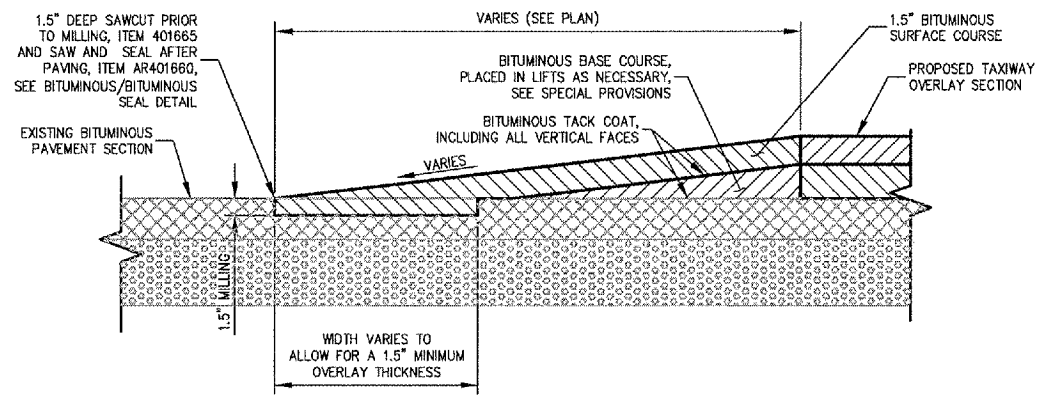
TYPICAL SECTION - PARTIAL DEPTH BITUMINOUS CRACK REPAIR AND PATCH

OVERLAY LEGEND

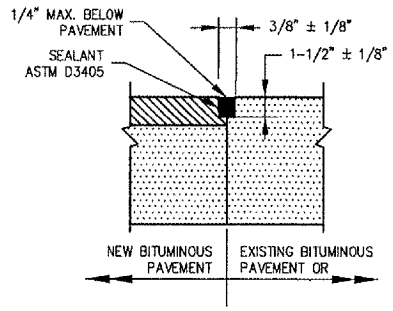
①	PROPOSED 2 INCH BITUMINOUS SURFACE COURSE, ITEM AR401610.
②	PROPOSED BITUMINOUS TACK COAT, ITEM AR603510.
③	PROPOSED BITUMINOUS BASE LEVELING COURSE (DEPTH VARIES APPROXIMATELY 2" TO 3"), ITEM AR201620.
④	PROPOSED 4 INCH TOPSOIL, ITEM AR905520. SEEDING AND MULCHING AREAS, ITEMS AR901510 AND AR908510.

CRACK REPAIR LEGEND

Ⓐ	PROPOSED 1.5 INCH BITUMINOUS SURFACE COURSE, ITEM AR401610.
Ⓑ	PROPOSED BITUMINOUS TACK COAT, ITEM AR603510.
Ⓒ	PROPOSED 1.5 INCH BITUMINOUS BASE COURSE, ITEM AR201610.
Ⓓ	CRACK CONTROL MATERIAL (60" WIDE), ITEM AR800973.
Ⓔ	BITUMINOUS SAND MIX - 2 INCH, ITEM AR800972.
Ⓕ	PAVEMENT MILLING, ITEM AR401650.



BITUMINOUS TAPER DETAIL



NOTE:
 ALL BITUMINOUS/BITUMINOUS JOINT SEALING TO BE PAID UNDER SAW AND SEAL BITUMINOUS JOINTS, ITEM AR401660.

BITUMINOUS/BITUMINOUS SEAL

No.	Drawing Issue Description	Date	By

Date
 JUNE 8, 2007
 Sheet Title

TYPICAL SECTIONS AND PAVEMENT DETAILS

8310618012
 Project Number
 LDH 03/14/07
 Layout By Date
 LDH 03/14/07
 Designed By Date
 RMH 06/08/07
 Reviewed By Date
 LDH
 Drawn By Sheet No.

DETAILS SHOWN ARE NOT TO SCALE

I:\06-005\00831\008012\DRAWINGS\SHEETS\09-TYPICAL SECTIONS & PAVEMENT DETAILS.DWG JUN 08, 2007 12:20PM LDH