



HANSON PROFESSIONAL SERVICES INC.

815 Commerce Drive, Suite 200
Oak Brook, Illinois 60523
Telephone: 630.990.3800
Fax: 630.990.3801

Illinois Professional Design Firm
Registration No. 184-001084

© Copyright Hanson Professional Service Inc. 2007



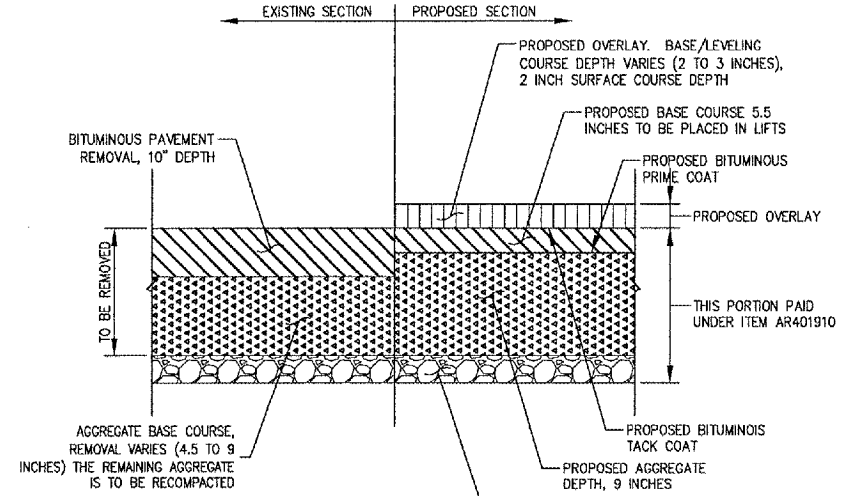
WAUKEGAN REGIONAL AIRPORT
WAUKEGAN PORT DISTRICT

3580 North McAree Road
Waukegan, Illinois 60087
Telephone: 847.244.0066
Fax: 847.244.3813

WAUKEGAN REGIONAL AIRPORT

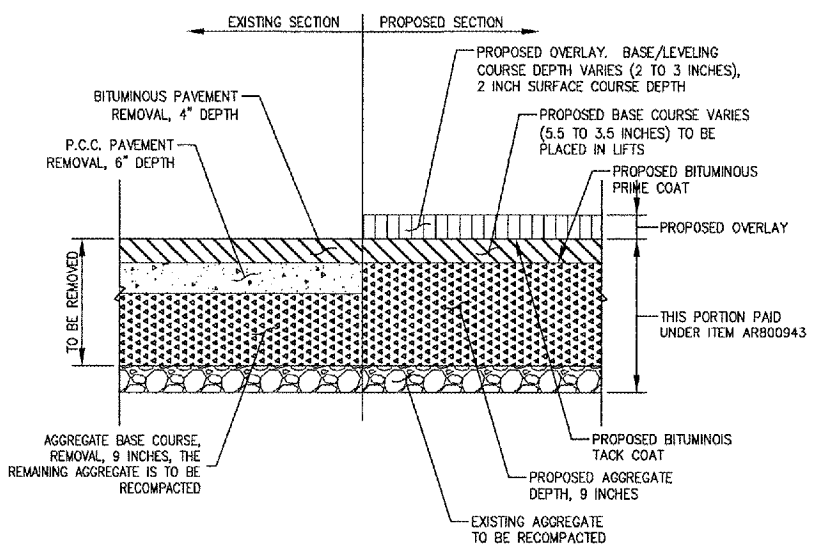
REPAIR AND OVERLAY EAST
PORTION OF TAXIWAY A

WAUKEGAN, ILLINOIS



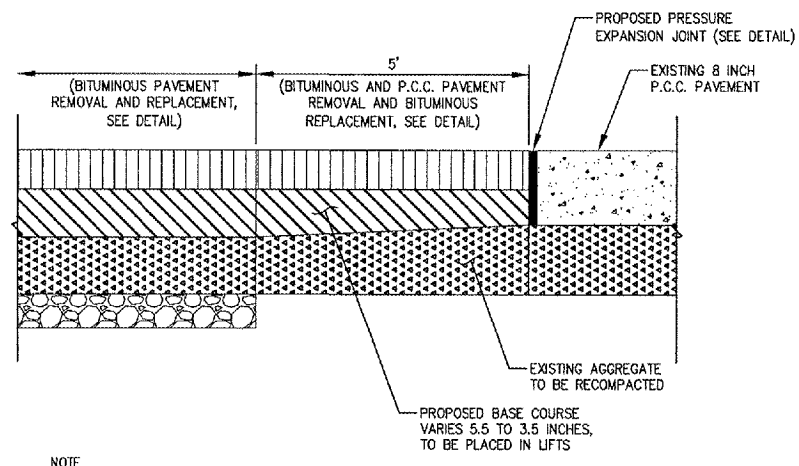
- NOTES**
1. REMOVED BITUMINOUS PAVEMENT TO BE DISPOSED OF AT AN OFFSITE LOCATION, COST INCIDENTAL TO REMOVE AND REPLACE BITUMINOUS PAVEMENT.
 2. ALL ITEMS ASSOCIATED WITH THE BITUMINOUS PAVEMENT REMOVAL AND REPLACEMENT TO BE INCLUDED IN ITEM AR401910 EXCEPT FOR BITUMINOUS PAVEMENT SAWING WHICH IS TO BE PAID AS ITEM AR401665 AND THE OVERLAY WITH IS TO BE PAID AS ITEMS AR201620 AND AR401610.
 3. NO CRACK CONTROL MATERIAL SHALL BE USED IN THE REMOVE AND REPLACE AREA.

**BITUMINOUS PAVEMENT REMOVAL AND REPLACEMENT
TAXIWAY A/A6**



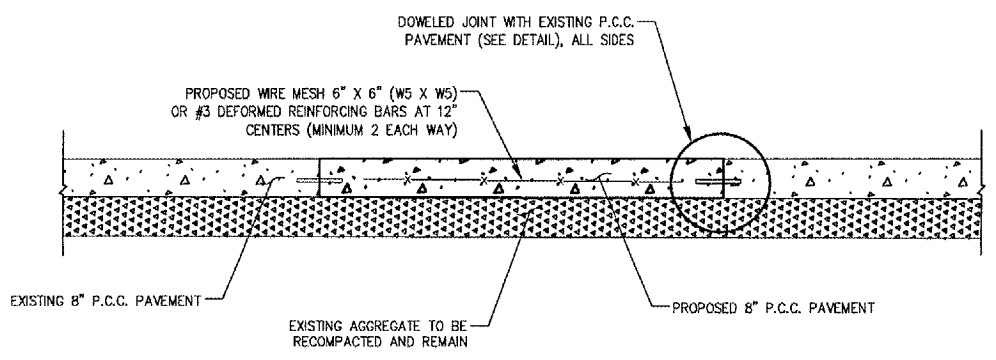
- NOTES**
1. NO CRACK CONTROL MATERIAL SHALL BE USED IN THE REMOVE AND REPLACE AREA.

BITUMINOUS AND P.C.C. PAVEMENT REMOVAL AND BITUMINOUS REPLACEMENT

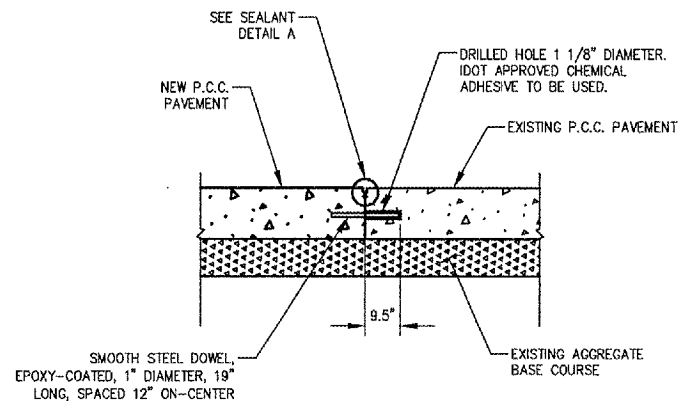


- NOTE**
1. WORK FOR PRESSURE RELIEF JOINT SHALL ONLY INCLUDE THE PREFORMED FOAM JOINT FILLER AND SEALANT. BITUMINOUS COURSES AND SAWING SHALL BE PAID UNDER RESPECTIVE PAY ITEMS.

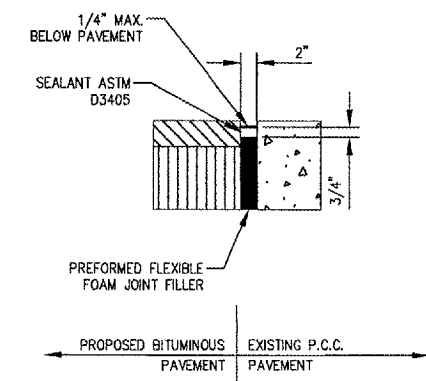
**PROPOSED BITUMINOUS PRESSURE RELIEF JOINT
SECTION A-A**



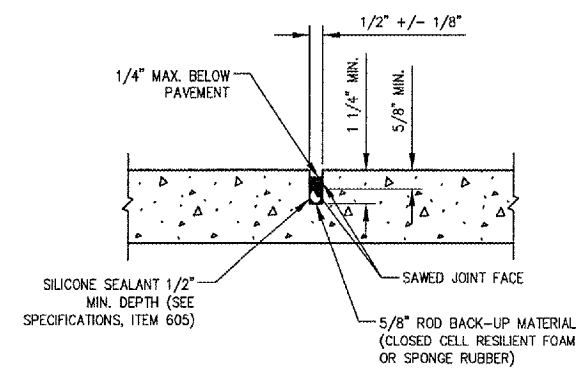
P.C.C. PAVEMENT REMOVAL AND PATCH



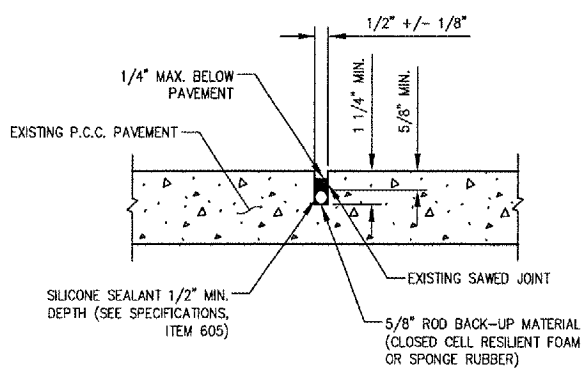
**DOWELED JOINT WITH EXISTING
P.C.C. PAVEMENT**



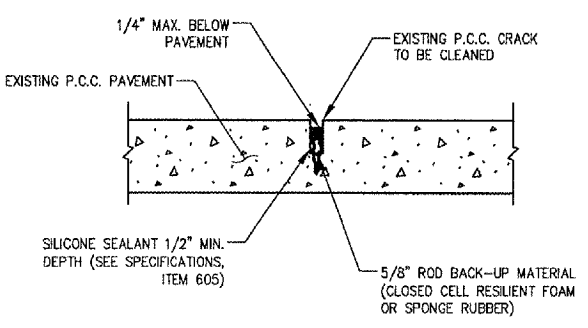
PRESSURE EXPANSION JOINT



SEALANT DETAIL A



**CLEAN AND SEAL JOINTS
DETAIL A**



**CLEAN AND SEAL CRACKS
DETAIL B**

No.	Drawing Issue	Description	Date	By

Date

JUNE 8, 2007

Sheet Title

**TYPICAL SECTION AND
PAVEMENT DETAILS**

8310618012
Project Number
LDH 03/14/07
Layout By Date
LDH 03/14/07
Designed By Date
RMH 06/08/07
Reviewed By Date
LDH
Drawn By

4: 1060095 (0083) (068012) (DRAWINGS SHEETS) 10- TYPICAL SECTIONS & PAVEMENT DETAILS.DWG JUN 08 2007 12:20PM LDH