

ITEM NO. 5A

INDEX OF SHEETS

SHEET NO.	TITLE
1	COVER SHEET
2	SUMMARY OF QUANTITIES
3	SITE PLAN AND GENERAL NOTES
4	CONSTRUCTION AND SAFETY NOTES AND DETAILS
5	CONSTRUCTION STAGING PLAN, STAGES 1 AND 2
6	CONSTRUCTION STAGING PLAN, STAGE 3
7	LANDSCAPING AND STORM WATER POLLUTION PREVENTION PLAN
8	STORM WATER POLLUTION PREVENTION DETAILS
9	TYPICAL SECTIONS AND PAVEMENT DETAILS
10	TYPICAL SECTIONS AND PAVEMENT DETAILS
11	BITUMINOUS PAVEMENT SAWING AND REMOVAL PLAN
12	JOINT SEALING AND P.C.C. PAVEMENT SAWING AND PATCHING PLAN
13	PLAN AND PROFILE - TAXIWAY A STA. 330+55 THRU STA. 335+50
14	PLAN AND PROFILE - TAXIWAY A STA. 335+50 THRU STA. 340+50
15	PLAN AND PROFILE - TAXIWAY A STA. 340+50 THRU STA. 345+50
16	PLAN AND PROFILE - TAXIWAY A STA. 345+50 THRU STA. 350+50
17	PLAN AND PROFILE - TAXIWAY C
18	PLAN AND PROFILE - TAXIWAY A5/E3
19	PLAN AND PROFILE - TAXIWAY A6
20	PLAN AND PROFILE - TAXIWAY E4
21	STAKING PLAN - TAXIWAY A STA. 331+00 THRU STA. 336+50
22	STAKING PLAN - TAXIWAY A STA. 336+50 THRU STA. 342+00
23	STAKING PLAN - TAXIWAY A STA. 342+00 THRU STA. 347+00
24	STAKING PLAN - TAXIWAY C
25	STAKING PLAN - TAXIWAY A5/E3
26	STAKING PLAN - A6
27	STAKING PLAN - E4
28	CROSS SECTIONS - TAXIWAY A STA. 331+17.05 THRU STA. 334+50
29	CROSS SECTIONS - TAXIWAY A STA. 335+00 THRU STA. 338+50
30	CROSS SECTIONS - TAXIWAY A STA. 339+00 THRU STA. 342+50
31	CROSS SECTIONS - TAXIWAY A STA. 343+00 THRU STA. 346+18.71
32	CROSS SECTIONS - TAXIWAY C STA. 505+75 THRU STA. 508+50
33	CROSS SECTIONS - TAXIWAY C STA. 509+00 THRU STA. 509+09
34	CROSS SECTIONS - TAXIWAY A5/E3 STA. 600+75.05 THRU STA. 601+51.03
35	CROSS SECTIONS - TAXIWAY A5/E3 STA. 604+00 THRU 604+25
36	CROSS SECTIONS - TAXIWAY A6 STA. 700+75.05 THRU STA. 703+00.98
37	CROSS SECTIONS - TAXIWAY A5/E3 STA. 875+75.71 THRU 876+50
38	LIGHT ADJUSTMENT AND MARKING PLAN
39	LIGHT ADJUSTMENT AND MARKING PLAN
40	LIGHT ADJUSTMENT AND MARKING DETAILS

IDA LETTING DATE: AUGUST 3, 2007

WA058
TOTAL SHEETS = 40

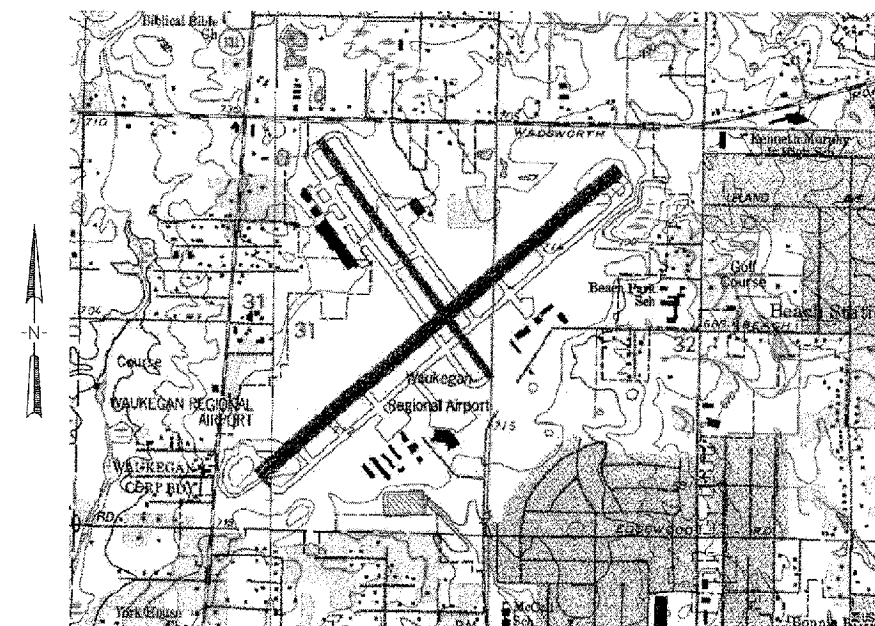
CONSTRUCTION PLANS

REPAIR AND OVERLAY EAST PORTION OF TAXIWAY A

WAUKEGAN PORT DISTRICT
WAUKEGAN REGIONAL AIRPORT (UGN)
WAUKEGAN, LAKE COUNTY, ILLINOIS

AIP PROJECT NO. 3-17-0105-B37
IDA PROJECT NO. UGN-3703

VICINITY MAP



SHEET NO. 1 OF 40



Seal Date of Plans

Lindsay Haugman
Lindsay D. Haugman, P.E.
June 8, 2007



HANSON PROFESSIONAL SERVICES INC.
815 Commerce Drive, Suite 200
Oak Brook, Illinois 60523
Telephone: 630.990.3800
Fax: 630.990.3801
Illinois Professional Design Firm No. 184-001084
© Copyright Hanson Professional Service Inc. 2007



WAUKEGAN REGIONAL AIRPORT
WAUKEGAN PORT DISTRICT
3580 North McAree Road
Waukegan, Illinois 60087
Telephone: 847.244.0066
Fax: 847.244.3813

NOTICE TO CONTRACTORS AND BIDDERS

THESE CONSTRUCTION PLANS RELY UPON THE SPECIAL PROVISIONS AND THE SPECIFICATIONS TO PROVIDE FOR A COMPLETE DESCRIPTION OF THE WORK AND CONSTRUCTION REQUIREMENTS. THE PLANS SHALL ONLY BE USED IN COMBINATION WITH ALL CONTRACT DOCUMENTS.

No. Issue/Description Sheets Changed Date By



HANSON PROFESSIONAL SERVICES INC.

815 Commerce Drive, Suite 200
Oak Brook, Illinois 60523
Telephone: 630.990.3800
Fax: 630.990.3801

Illinois Professional Design Firm
Registration No. 184-001084

© Copyright Hanson Professional Service Inc. 2007



WAUKEGAN REGIONAL AIRPORT
WAUKEGAN PORT DISTRICT

3580 North McAree Road
Waukegan, Illinois 60087
Telephone: 847.244.0066
Fax: 847.244.3813

WAUKEGAN REGIONAL AIRPORT

REPAIR AND OVERLAY EAST
PORTION OF TAXIWAY A

WAUKEGAN, ILLINOIS

SUMMARY OF QUANTITIES

Number	Description	Unit	Quantity	
			Bid	Paid
AR125941	Adjust Stake Mounted Light	Each	48.00	
AR125942	Adjust Base Mounted Light	Each	12.00	
AR150510	Engineer's Field Office	Lump Sum	1.00	
AR156510	Silt Fence	Linear Foot	64.00	
AR156520	Inlet Protection	Each	15.00	
AR201620	Bituminous Base Course - Leveling	Ton	2,270.00	
AR201630	Bituminous Base Test Section	Each	1.00	
AR401610	Bituminous Surface Course	Ton	1,730.00	
AR401650	Bituminous Pavement Milling	Square Yard	1,185.00	
AR401660	Saw and Seal Bit. Joint	Linear Foot	1,120.00	
AR401665	Bituminous Pavement Sawing	Linear Foot	1,000.00	
AR401910	Remove & Replace Bit. Pavement	Square Yard	2,375.00	
AR501665	PCC Pavement Sawing	Linear Foot	690.00	
AR501910	Remove & Replace PCC Pavement	Square Yard	835.00	
AR602510	Bituminous Prime Coat	Gallon	736.00	
AR603510	Bituminous Tack Coat	Gallon	4,077.00	
AR605540	Clean & Seal Joints	Linear Foot	13,215.00	
AR605541	Clean & Seal Cracks	Linear Foot	355.00	
AR620520	Pavement Marking - Waterborne	Square Foot	10,800.00	
AR620525	Pavement Marking - Black Border	Square Foot	1,675.00	
AR800901	Bituminous Pressure Relief Joint	Each	1.00	
AR800943	Remove Mixed Pvmt. - Replace w/ Bit.	Square Yard	81.00	
AR800972	Bituminous Sand Mix - 2"	Square Yard	55.00	
AR800973	Crack Control Material	Linear Foot	125.00	
AR901510	Seeding	Acre	2.10	
AR905520	Topsoiling (From Off Site)	Cubic Yard	1,130.00	
AR908510	Mulching	Acre	2.10	

No.	Drawing Issue	Description	Date	By

Date
JUNE 8, 2007
Sheet Title

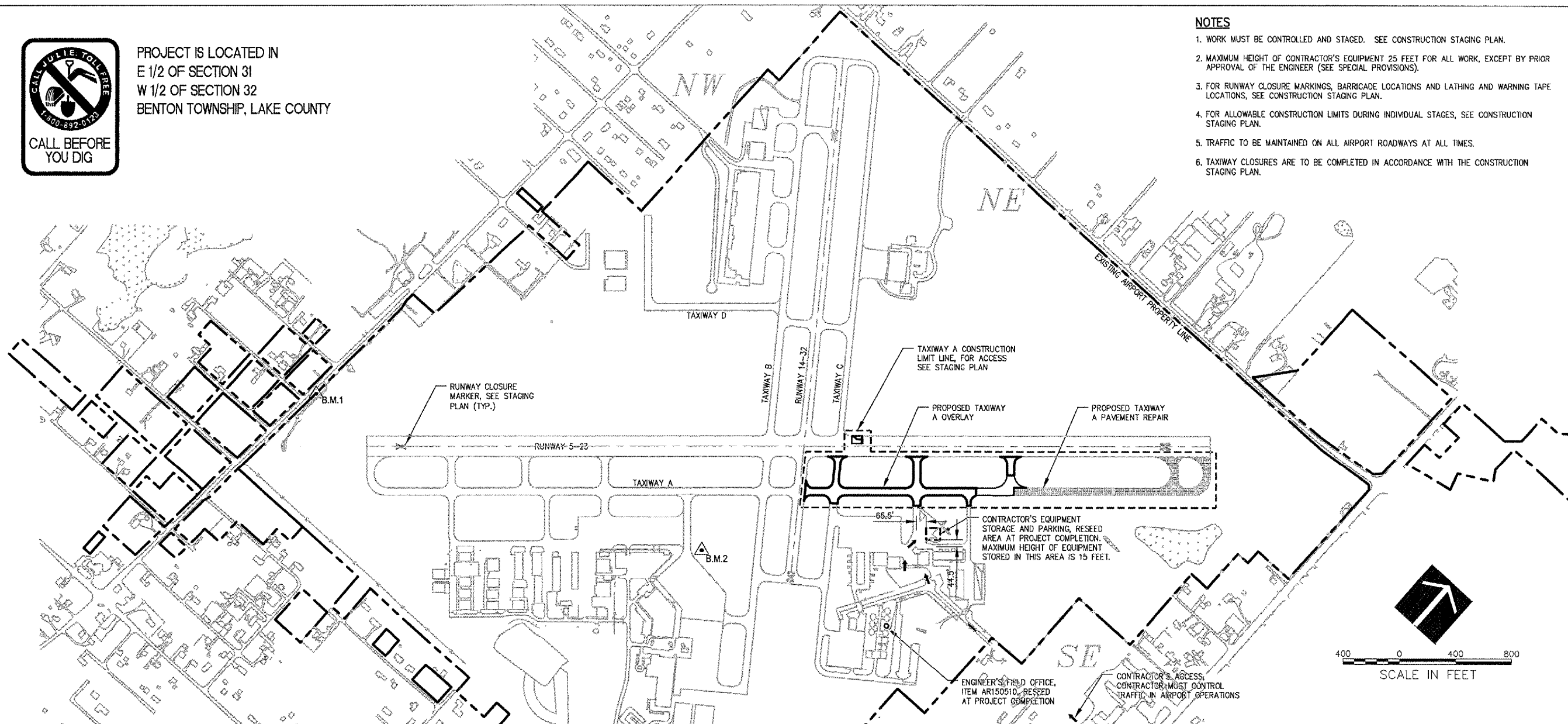
SUMMARY OF QUANTITIES

Project Number	8310618012
LDH	03/14/07
Layout By	Date
LDH	03/14/07
Designed By	Date
RMH	06/08/07
Reviewed By	Date
LDH	---
Drawn By	Sheet No.

P:\06\055\00831\0618012\0618012\0618012\SHEETS\02-SUMMARY OF QUANTITIES.DWG JUN 08 2007 12:15PM LDH



PROJECT IS LOCATED IN
E 1/2 OF SECTION 31
W 1/2 OF SECTION 32
BENTON TOWNSHIP, LAKE COUNTY



NOTES

- 1. WORK MUST BE CONTROLLED AND STAGED. SEE CONSTRUCTION STAGING PLAN.
2. MAXIMUM HEIGHT OF CONTRACTOR'S EQUIPMENT 25 FEET FOR ALL WORK, EXCEPT BY PRIOR APPROVAL OF THE ENGINEER (SEE SPECIAL PROVISIONS).
3. FOR RUNWAY CLOSURE MARKINGS, BARRICADE LOCATIONS AND LATHING AND WARNING TAPE LOCATIONS, SEE CONSTRUCTION STAGING PLAN.
4. FOR ALLOWABLE CONSTRUCTION LIMITS DURING INDIVIDUAL STAGES, SEE CONSTRUCTION STAGING PLAN.
5. TRAFFIC TO BE MAINTAINED ON ALL AIRPORT ROADWAYS AT ALL TIMES.
6. TAXIWAY CLOSURES ARE TO BE COMPLETED IN ACCORDANCE WITH THE CONSTRUCTION STAGING PLAN.

WA058



HANSON PROFESSIONAL SERVICES INC.

815 Commerce Drive, Suite 200
Oak Brook, Illinois 60523
Telephone: 630.990.3800
Fax: 630.990.3801

Illinois Professional Design Firm
Registration No. 184-001084

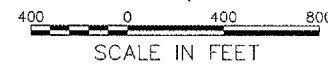
Copyright Hanson Professional Service Inc. 2007



WAUKEGAN REGIONAL AIRPORT
WAUKEGAN PORT DISTRICT

3580 North McAree Road
Waukegan, Illinois 60087
Telephone: 847.244.0066
Fax: 847.244.3813

WAUKEGAN REGIONAL AIRPORT
REPAIR AND OVERLAY EAST
PORTION OF TAXIWAY A
WAUKEGAN, ILLINOIS



GENERAL NOTES

PROJECT DESCRIPTION

THIS PROJECT IS TO REPAIR AND OVERLAY EAST PORTIONS OF TAXIWAY A AT WAUKEGAN REGIONAL AIRPORT, INCLUDING, AMONG OTHER INCIDENTAL WORK, THE FOLLOWING ITEMS:

- REMOVAL AND REPLACEMENT OF PORTIONS OF P.C.C. PAVEMENT
- CLEAN AND SEAL EXISTING P.C.C. PAVEMENT
- CONSTRUCTION OF BITUMINOUS OVERLAY OF TAXIWAY A
- ADJUST TAXIWAY LIGHTING
- REMARKING OF PAVEMENTS
- TOPSOILING, SEEDING AND MULCHING

PROTECTION OF EXISTING AIRPORT FACILITIES

THE CONTRACTOR IS TO BE RESPONSIBLE FOR THE PROTECTION OF EXISTING UNDERGROUND AND OVERHEAD UTILITIES AND LIGHTING EQUIPMENT; DRIVEWAY AND ROAD PAVEMENT AND SHOULDERS; RUNWAY, TAXIWAY AND APRON PAVEMENTS AND SHOULDERS; RUNWAY, TAXIWAY AND AIRPORT LIGHTING EQUIPMENT; AND SEEDED AND TURFED AREAS THAT ARE UTILIZED IN OR AFFECTED BY THE CONTRACTOR'S ACTIVITIES. ITEMS DAMAGED BY THE CONTRACTOR ARE TO BE REPAIRED AT CONTRACTOR'S EXPENSE AND TO THE SATISFACTION OF AIRPORT MANAGER AND THE OWNER'S REPRESENTATIVE.

IN ADDITION WHEN CONDITIONS DICTATE OR AS DETERMINED BY THE AIRPORT MANAGER OR THE OWNER'S REPRESENTATIVE, THE CONTRACTOR SHALL BE REQUIRED TO USE A PICK-UP TYPE SWEEPER IN ALL ACTIVE CONSTRUCTION AIRFIELD PAVEMENT AREAS. THE CONTRACTOR WILL BE REQUIRED TO HAVE A SWEEPER AVAILABLE FOR USE AT ALL TIMES. THE COST OF SWEEPING SHALL BE CONSIDERED INCIDENTAL TO THE CONTRACT.

THE CONTRACTOR SHALL BE RESPONSIBLE FOR CONTACTING THE FAA (SMO) THROUGH THE RESIDENT ENGINEER TO LOCATE ALL FAA CABLES ON THE PROJECT SITE. ALL FAA CABLES SHALL BE PROTECTED AT ALL TIMES.

CONTRACTOR'S ACCESS AND TEMPORARY FACILITIES

CONTRACTOR'S ACCESS TO THE PROJECT WHEN ON AIRPORT PROPERTY IS SHOWN ON THIS SHEET. CONTRACTOR'S ACCESS TO THE AIRPORT ITSELF IS TO BE PROVIDED BY PUBLIC RIGHTS-OF-WAY. THE CONTRACTOR IS TO SECURE ALL NECESSARY PERMITS FOR THE USE OF ANY PUBLIC RIGHTS-OF-WAY AND IS TO MAINTAIN TRAFFIC ON THESE PUBLIC ROADS AT ALL TIMES, WITH THE COSTS OF PERMITTING, CLEANING AND REPAIRING OF PAVEMENT DAMAGED BY CONTRACTOR'S ACTIVITIES INCIDENTAL TO THE CONTRACT. USE OF AND REPAIRS TO ANY PUBLIC FACILITIES ARE TO BE COMPLETED TO THE SATISFACTION OF THE FACILITY'S OWNER.

THE CONTRACTOR IS TO PROVIDE TEMPORARY CONSTRUCTION ROADS WITHIN THE CONSTRUCTION LIMIT LINES AS MAY BE REQUIRED BY HIS ACTIVITIES. HEAVY VEHICLES SHALL NOT CROSS EXISTING PAVEMENT SURFACES EXCEPT AS APPROVED BY THE AIRPORT MANAGER AND THE OWNER'S REPRESENTATIVE. ANY DAMAGE TO PAVEMENTS THAT MAY OCCUR BY THE CONTRACTOR'S ACTIVITIES SHALL BE REPAIRED AT THE CONTRACTOR'S EXPENSE AND TO THE SATISFACTION OF THE AIRPORT MANAGER AND THE OWNER'S REPRESENTATIVE.

THE CONTRACTOR IS TO PROVIDE AN EQUIPMENT, STORAGE AND PARKING AREA AT THE LOCATIONS SHOWN ON THIS SHEET. IT IS THE CONTRACTOR'S RESPONSIBILITY TO MAINTAIN THE ACCESS ROADS AND THE STORAGE AREA DURING CONSTRUCTION AND TO RESTORE THE AREAS AT PROJECT COMPLETION TO CONDITIONS SUITABLE TO THE AIRPORT MANAGER AND THE OWNER'S REPRESENTATIVE. AT THE AIRPORT MANAGER'S DISCRETION, THE TEMPORARY FACILITIES MAY REMAIN, BUT THEY MUST BE LEFT IN CONDITIONS SUITABLE TO THE AIRPORT MANAGER. THE COST OF PROVIDING, MAINTAINING AND RESTORING THE TEMPORARY FACILITIES IS INCIDENTAL TO THE CONTRACT.

RESPONSIBILITY FOR EXISTING UTILITIES

THE LOCATION, SIZE AND/OR TYPE OF MATERIAL OF EXISTING UNDERGROUND OR OVERHEAD UTILITIES AS MAY BE INDICATED ON THESE CONSTRUCTION PLANS IS NOT REPRESENTED AS BEING ACCURATE, SUFFICIENT OR COMPLETE. NEITHER THE OWNER NOR THE PROJECT ENGINEER HAVE INDEPENDENTLY VERIFIED THIS INFORMATION AND NEITHER ASSUMES ANY RESPONSIBILITY WHATSOEVER IN RESPECT TO THE ACCURACY, SUFFICIENCY OR COMPLETENESS OF THE INFORMATION AND GIVE NO EXPRESSED OR IMPLIED GUARANTEE THAT ANY CONDITIONS INDICATED ARE REPRESENTATIVE OF ACTUAL CONDITIONS TO BE ENCOUNTERED.

IT SHALL BE THE CONTRACTOR'S RESPONSIBILITY TO DETERMINE THE ACTUAL LOCATION OF ALL SUCH FACILITIES, INCLUDING SERVICE CONNECTIONS TO UNDERGROUND UTILITIES. PRIOR TO CONSTRUCTION, THE CONTRACTOR SHALL NOTIFY ALL UTILITY COMPANIES AND AGENCIES OF HIS CONSTRUCTION PLANS AND SHALL OBTAIN FROM EACH PARTY DETAILED INFORMATION AND ASSISTANCE RELATIVE TO THE LOCATION OF ALL UTILITIES AND THE WORKING SCHEDULE OF ANY REMOVALS OR ADJUSTMENTS REQUIRED OF THE UTILITY. THE CONTRACTOR SHALL CONTACT J.U.L.I.E. (PHONE 800-892-0123) TO ASSIST IN THE ABOVE.

THE CONTRACTOR SHALL PROTECT ANY FACILITIES TO THE SATISFACTION OF THE UTILITY OR OWNING-AGENCY WITH THE COST OF ANY REQUIRED PROTECTION TO BE INCIDENTAL TO THE CONTRACT. IN THE EVENT A UTILITY LINE OR SERVICE IS UNEXPECTEDLY ENCOUNTERED DURING CONSTRUCTION, THE CONTRACTOR SHALL IMMEDIATELY NOTIFY THE OWNER'S REPRESENTATIVE AND THE UTILITY COMPANY OR AGENCY OF JURISDICTION. ANY SUCH UTILITIES DISTURBED BY THE CONTRACTOR'S OPERATIONS SHALL BE RESTORED TO SERVICE IMMEDIATELY.

AIRPORT SECURITY

THE CONTRACTOR IS TO COORDINATE GATE SECURITY, THROUGH THE RESIDENT ENGINEER, WITH THE AIRPORT MANAGEMENT. AIRPORT SECURITY SHALL BE MAINTAINED AT ALL TIMES.

EXISTING BENCHMARK

BENCHMARK IS AS FOLLOWS:

- ELEVATION 721.34
B.M.1 STEEL ROD SET IN 6" LOGO CAP
LOCATION: 36.5 FEET EAST OF RT. 131 (GREEN BAY RD.), 230 FEET SOUTH OF SUDDARD ST., 101 FEET NORTH OR CENTER ST.
COORDINATES: N 1101107324.042 E 202084502.438
ELEVATION 708.29
B.M.2 COORDINATES: N 1110118.012 E 2095499.384

Table with 4 columns: No., Drawing Issue Description, Date, By

Date: JUNE 8, 2007
Sheet Title: SITE PLAN AND GENERAL NOTES

SITE PLAN AND GENERAL NOTES

8310618012
Project Number
LDH 03/14/07
Layout By Date
LDH 03/14/07
Designed By Date
RMH 06/08/07
Reviewed By Date
LDH
Drawn By
Sheet No.

4:106J065 [0202] 10618012 DRA.MANUS SVCS02S 03-SITE PLANNING 081 08, 2007 12:16PM LDH

CONSTRUCTION AND SAFETY NOTES

SEQUENCE OF CONSTRUCTION

TO MINIMIZE DISRUPTIONS TO AIRPORT OPERATIONS, CONSTRUCTION OPERATIONS MUST BE CONTROLLED THROUGHOUT THE PROJECT'S DURATION AND WORK MUST BE COMPLETED EXPEDITIOUSLY. THE CONTRACTOR IS TO PREPARE AND FOLLOW A STAGING PLAN THAT COORDINATES HIS WORK WITH THE WORK OF HIS SUBCONTRACTORS AND THE WORK OF OTHER CONTRACTORS ON-FIELD. THIS STAGING PLAN MUST BE SATISFACTORY TO THE PROJECT ENGINEER AND THE AIRPORT DIRECTOR. THE CONTRACTOR SHALL EXPEDITE WORK AT THOSE STAGES WHEN ACTIVE TAXIWAYS, APRONS, ROADWAYS OR PARKING LOTS MUST BE CLOSED TO MINIMIZE THE LENGTH OF TIME THAT AIRPORT OPERATIONS ARE RESTRICTED.

LATHING AND WARNING TAPE

THE PROJECT WILL REQUIRE THE PLACEMENT OF LATHING AND WARNING TAPE TO DELINEATE THE CONSTRUCTION AREA. IT SHALL BE THE CONTRACTOR'S RESPONSIBILITY TO PROVIDE, PLACE AND MAINTAIN LATHING AND WARNING TAPE SHOWN ON DETAIL A, THIS SHEET, AND AS DIRECTED BY THE RESIDENT ENGINEER AND THE AIRPORT DIRECTOR. THE CONTRACTOR WILL FURNISH, PLACE, MAINTAIN AND RELOCATE THE LATHING AND WARNING TAPE AS REQUIRED. THE COST OF THESE ITEMS, AND THEIR MAINTENANCE, IS TO BE INCIDENTAL TO THE CONTRACT.

RUNWAY CLOSURE

THE PROJECT WILL REQUIRE THE PLACEMENT OF RUNWAY CLOSURE MARKINGS, SEE STAGING PLAN. TO MINIMIZE DISRUPTION TO AIRCRAFT OPERATIONS ASSOCIATED WITH THE RUNWAY CLOSURE, CONSTRUCTION WORK MUST BE COMPLETED EXPEDITIOUSLY. RUNWAY CLOSINGS SHALL ONLY BE PERMITTED BY PRIOR AUTHORIZATION OF THE RESIDENT ENGINEER AND THE AIRPORT OWNER.

PREMANUFACTURED, VINYL MARKERS WILL BE FURNISHED TO THE CONTRACTOR BY THE OWNER. IT WILL BE THE CONTRACTOR'S RESPONSIBILITY TO INSTALL, RELOCATE AND MAINTAIN RUNWAY CLOSURE MARKERS AT THE LOCATIONS SHOWN IN THE STAGING PLAN, SEE DETAIL C, THIS SHEET, AND AS DIRECTED BY THE RESIDENT ENGINEER AND AIRPORT OWNER. THE COST OF PLACING AND RELOCATING THESE ITEMS, AND THEIR MAINTENANCE, IS TO BE INCIDENTAL TO THE CONTRACT.

THE AIRPORT OWNER WILL DE-ENERGIZE AIRFIELD LIGHTING, NAVAID AND ROTATING BEACON POWER AND CONTROL CIRCUITS WHEN THE RUNWAY IS CLOSED.

TEMPORARY BARRICADES ON AIRFIELD

THE PROJECT WILL REQUIRE THE PLACEMENT OF BARRICADES TO DELINEATE PORTIONS OF THE CONSTRUCTION AREA AND FOR TEMPORARY CLOSURES OF ACTIVE TAXIWAYS AND APRONS. IT WILL BE THE CONTRACTOR'S RESPONSIBILITY TO FURNISH, PLACE AND MAINTAIN BARRICADES AS SHOWN IN DETAIL B, THIS SHEET, AND AS DIRECTED BY THE RESIDENT ENGINEER AND AIRPORT DIRECTOR. THE COST OF THESE ITEMS, AND THEIR MAINTENANCE, IS TO BE INCIDENTAL TO THE CONTRACT. ANY WORK THAT REQUIRES PORTIONS OF AN ACTIVE TAXIWAY OR APRON TO BE CLOSED MUST BE COMPLETED EXPEDITIOUSLY TO MINIMIZE DISRUPTION TO AIRCRAFT OPERATIONS.

OPEN TRENCHES, EXCAVATIONS AND STOCKPILED MATERIAL AT THE CONSTRUCTION SITE SHALL BE DELINEATED WITH THE USE OF BARRICADES DURING HOURS OF RESTRICTED VISIBILITY AND/OR DARKNESS. NO OPEN TRENCHES SHALL BE ALLOWED WITHIN THE RUNWAY SAFETY AREA (RSA) OR THE TAXIWAY SAFETY AREA (TSA) OVER NIGHT. THE RSA IS DEFINED AS 250 FEET FROM THE RUNWAY CENTERLINE AND 1000 FEET FROM THE END OF THE RUNWAY. THE TSA IS MEASURED AT 65.5 FEET FROM THE TAXIWAY CENTERLINE. THE CONTRACTOR WILL HAVE STEEL PLATES ON-SITE TO ALLOW FOR THE RAPID COVERING OF TRENCHES IN THE EVENT OF UNEXPECTED WORK STOPPAGES FOR WEATHER OR AIRPORT EMERGENCIES.

VEHICULAR TRAFFIC CONTROL

IT SHALL BE THE CONTRACTOR'S RESPONSIBILITY TO PROVIDE AND PLACE ROAD WARNING SIGNS AND BARRICADES ON THE EXISTING ROADWAYS PRIOR TO THE START OF CONSTRUCTION IN THE VICINITY. THE CONTRACTOR SHALL PROVIDE, INSTALL AND RELOCATE THE ITEMS AS REQUIRED. THE COST OF THIS WORK IS TO BE INCIDENTAL TO THE CONTRACT.

CONTRACTOR SHALL PROVIDE, INSTALL AND REMOVE ALL TRAFFIC CONTROL ITEMS WHEN CONSTRUCTION ACTIVITIES ARE WITHIN 15 FEET OF AN ACTIVE ROADWAY EDGE OR AS REQUIRED BY THE SITE PLAN. COST OF THIS WORK IS TO BE INCIDENTAL TO THE CONTRACT.

AIRFIELD OPERATIONAL SAFETY DURING CONSTRUCTION

ALL CONSTRUCTION TRAFFIC AND PERSONNEL SHALL REMAIN WITHIN THE CONSTRUCTION LIMIT LINE SHOWN ON THE STAGING PLAN FOR THE STAGE CURRENTLY UNDER CONSTRUCTION. CONTRACTOR'S PERSONNEL AND EQUIPMENT MUST REMAIN AT LEAST 200 FEET FROM THE CENTERLINE OF ACTIVE RUNWAYS, 1000 FEET FROM THE END OF ACTIVE RUNWAYS, 65.5 FEET FROM THE CENTERLINE OF ACTIVE TAXIWAYS, 44.5 FEET FROM T-HANGAR TAXIWAYS AND 10 FEET FROM THE EDGE OF ACTIVE APRONS.

WHEN IT IS NECESSARY FOR CONSTRUCTION VEHICLES TO OPERATE ON OR WITHIN THESE LIMITS, THE RUNWAY, TAXIWAYS OR APRON MUST BE CLOSED. THE CONTRACTOR WILL PROVIDE POSITIVE CONTROL OF CONSTRUCTION VEHICLES USING RADIO-EQUIPPED FLAGGERS. ALL CONTRACTOR'S EQUIPMENT USED IN ACTIVE AIRPORT OPERATIONS AREAS SHALL BE EQUIPPED WITH A FAA-STANDARD FLAG, AS REFERENCED IN FAA AC 150/5370-2, CURRENT ISSUE. AIRCRAFT SHALL HAVE THE RIGHT-OF-WAY. CONSTRUCTION VEHICLES SHALL NOT CROSS AN ACTIVE RUNWAY. THE COST OF ALL TRAFFIC CONTROL, BOTH WITHIN AND OUTSIDE OF AIRPORT OPERATIONS AREAS, IS TO BE INCIDENTAL TO THE CONTRACT.

WHEN NOT IN USE AND DURING NONWORKING HOURS, CONTRACTOR'S EQUIPMENT SHALL BE PARKED WITHIN THE CONTRACTOR'S EQUIPMENT STORAGE AND PARKING AREAS. THE EQUIPMENT STORAGE AND PARKING AREAS ARE TO BE LOCATED AS SHOWN ON THE STAGING PLAN. THE CONTRACTOR WILL BE RESPONSIBLE FOR MAINTAINING THE CONSTRUCTION ENTRANCE IN GOOD CONDITION. THE COST OF MAINTAINING THE CONSTRUCTION ENTRANCE IS TO BE INCIDENTAL TO THE CONTRACT.

AT NO TIME SHALL THE CONTRACTOR OPERATE OR PARK EQUIPMENT SO AS TO OBSTRUCT AN ACTIVE RUNWAY APPROACH SURFACE.

BEFORE REOPENING TEMPORARILY CLOSED RUNWAYS, TAXIWAYS OR ROADWAYS, THE CONTRACTOR SHALL INSPECT AND CLEAN, AS NECESSARY, THE PAVEMENT TO ASSURE THAT NO MATERIALS OR OBJECTS THAT MAY DAMAGE AIRCRAFT OR VEHICLES REMAIN. ANY REQUIRED CLEANING SHALL BE TO THE SATISFACTION OF THE RESIDENT ENGINEER AND AIRPORT OWNER AND IS INCIDENTAL TO THE CONTRACT.

ALL CONTRACTOR EQUIPMENT IS LIMITED TO A HEIGHT OF 25 FEET, EXCEPT FOR EQUIPMENT STORED IN THE STORAGE AREA WHICH SHALL BE LIMITED TO 15 FEET.

NOTIFICATIONS BY CONTRACTOR

THE CONTRACTOR SHALL NOTIFY THE RESIDENT ENGINEER AND AIRPORT OWNER 5 DAYS IN ADVANCE OF THE CONTRACTOR'S CLOSING OF ACTIVE RUNWAYS, TAXIWAYS AND APRONS. THE DATE, TIME AND SCHEDULED DURATION OF THE CLOSING MUST BE APPROVED BY THE RESIDENT ENGINEER AND THE AIRPORT OWNER. THE CONTRACTOR SHALL NOTIFY THE RESIDENT ENGINEER AND AIRPORT OWNER 72 HOURS IN ADVANCE OF THE CONTRACTOR'S CLOSING OF OTHER ACTIVE ROADWAYS, AIRFIELD OR ROADWAY LIGHTING CIRCUITS, OR OTHER AIRPORT FACILITIES.

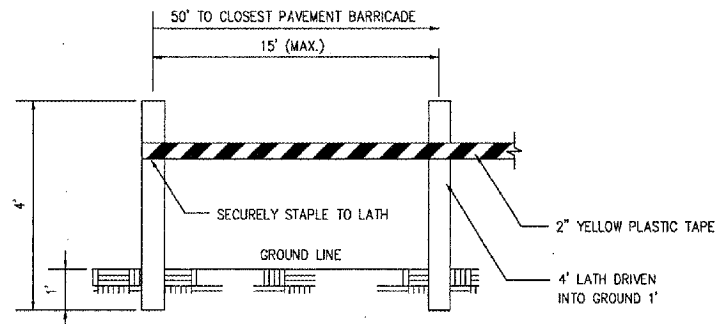
CONTRACTOR'S USE OF SITE

THE CONTRACTOR SHALL NOT OPERATE WITHIN, ENCROACH UPON OR OBSTRUCT AIRPORT OPERATIONAL AREAS, INCLUDING ACTIVE RUNWAY, TAXIWAYS AND APRON SAFETY AREAS, OBJECT AND OBSTACLE FREE ZONES, RUNWAY PROTECTION ZONES AND AIRPORT IMAGINARY SURFACES AS DEFINED IN FEDERAL AVIATION REGULATIONS (FAR) PART 77, "OBJECTS AFFECTING NAVIGABLE AIRSPACE".

THE CONTRACTOR IS RESPONSIBLE FOR RESTORATION OF THE WORK AREA PRIOR TO BEGINNING WORK AT A NEW LOCATION.

UTILITY OUTAGES AND SHUTDOWNS

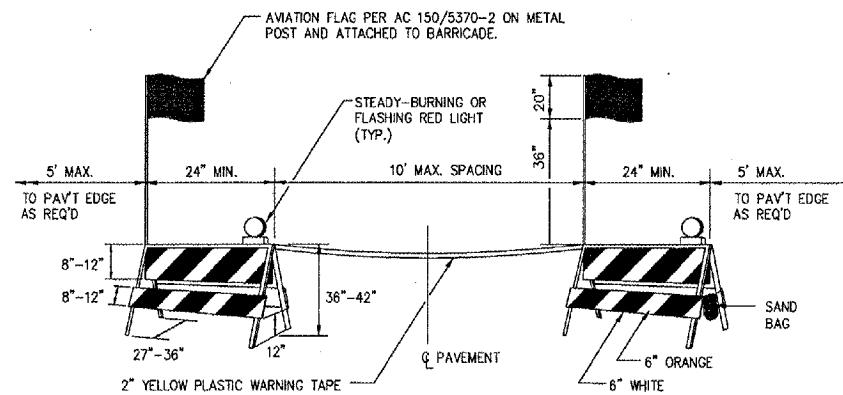
THE CONTRACTOR SHALL PROVIDE 72 HOURS PRIOR NOTICE OF ANY OUTAGES OR SHUTDOWNS TO THE OWNER AND THE AGENCY OWNING THE AFFECTED UTILITY. THE CONTRACTOR SHALL PROVIDE ANY TEMPORARY CONNECTIONS OR OTHER MEASURES AS MAY BE REQUIRED TO MAINTAIN SERVICE AS MAY BE REQUIRED BY THE OWNING AGENCY AT NO COST TO THE OWNER.



MATERIALS ARE TO BE APPROVED BY ENGINEER PRIOR TO INSTALLATION. COST OF MATERIALS, INSTALLATION, RELOCATION AND MAINTENANCE OF LATHING AND WARNING TAPE IS TO BE INCIDENTAL TO THE CONTRACT.

**DETAIL A
LATHING AND WARNING TAPE**

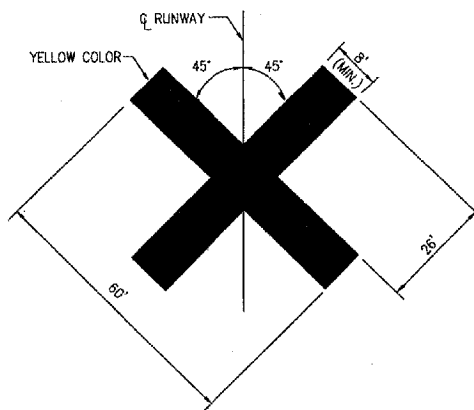
NTS



BARRICADES ARE TO BE OF IDOT TYPE I. A STEADY-BURNING OR FLASHING RED LIGHT FACING PASSING TRAFFIC IS TO BE MOUNTED ABOVE THE TOP OF EACH BARRICADE FRAME. THE BARRICADE IS TO BE STABILIZED FROM WIND BY SANDBAGS PLACED ON THE FRAME OR OTHER METHODS APPROVED BY THE RESIDENT ENGINEER. NO PART OF THE REFLECTORIZED PORTION OF THE BARRICADE IS TO BE OBSTRUCTED IN ANY MANNER. COST OF FURNISHING, INSTALLING, RELOCATING, MAINTAINING AND REMOVING BARRICADES IS TO BE INCIDENTAL TO THE CONTRACT.

**DETAIL B
PAVEMENT BARRICADES**

NTS



**DETAIL C
TEMPORARY RUNWAY CLOSED MARKER**

NTS

NOTES

- VINYL MARKERS SHALL BE FURNISHED BY THE OWNER. THE CONTRACTOR SHALL FURNISH ALL LABOR AND MATERIALS FOR INSTALLING, RELOCATING AND MAINTAINING THE MARKERS, WHOSE COST SHALL BE INCIDENTAL TO THE CONTRACT.
- CONTRACTOR SHALL LOCATE THE MARKERS ON TOP OF THE RUNWAY NUMERALS DURING CLOSURE OF THE RUNWAY.
- MARKERS TO BE SECURED BY CONTRACTOR AS RECOMMENDED BY THE MANUFACTURER.

WA058



HANSON PROFESSIONAL SERVICES INC.

815 Commerce Drive, Suite 200
Oak Brook, Illinois 60523
Telephone: 630.990.3800
Fax: 630.990.3801

Illinois Professional Design Firm
Registration No. 184-001084

© Copyright Hanson Professional Service Inc. 2007



WAUKEGAN REGIONAL AIRPORT
WAUKEGAN PORT DISTRICT

3580 North McAree Road
Waukegan, Illinois 60087
Telephone: 847.244.0066
Fax: 847.244.3813

WAUKEGAN REGIONAL AIRPORT

REPAIR AND OVERLAY EAST
PORTION OF TAXIWAY A

WAUKEGAN, ILLINOIS

No.	Drawing Issue Description	Date	By

Date

JUNE 8, 2007

Sheet Title

**CONSTRUCTION AND
SAFETY NOTES AND
DETAILS**

Project Number	8310618012
LDH	03/14/07
Layout By	Date
LDH	03/14/07
Designed By	Date
RMH	06/08/07
Reviewed By	Date
LDH	---
Drawn By	Sheet No.

E:\06\065\00831\DRAWINGS\1\060812\DRAWINGS\1\06-SAFETY NOTES.DWG JUN 11 2007 8:04AM LDH



HANSON PROFESSIONAL SERVICES INC.

815 Commerce Drive, Suite 200
Oak Brook, Illinois 60523
Telephone: 630.990.3800
Fax: 630.990.3801

Illinois Professional Design Firm
Registration No. 184-001084

© Copyright Hanson Professional Service Inc. 2007



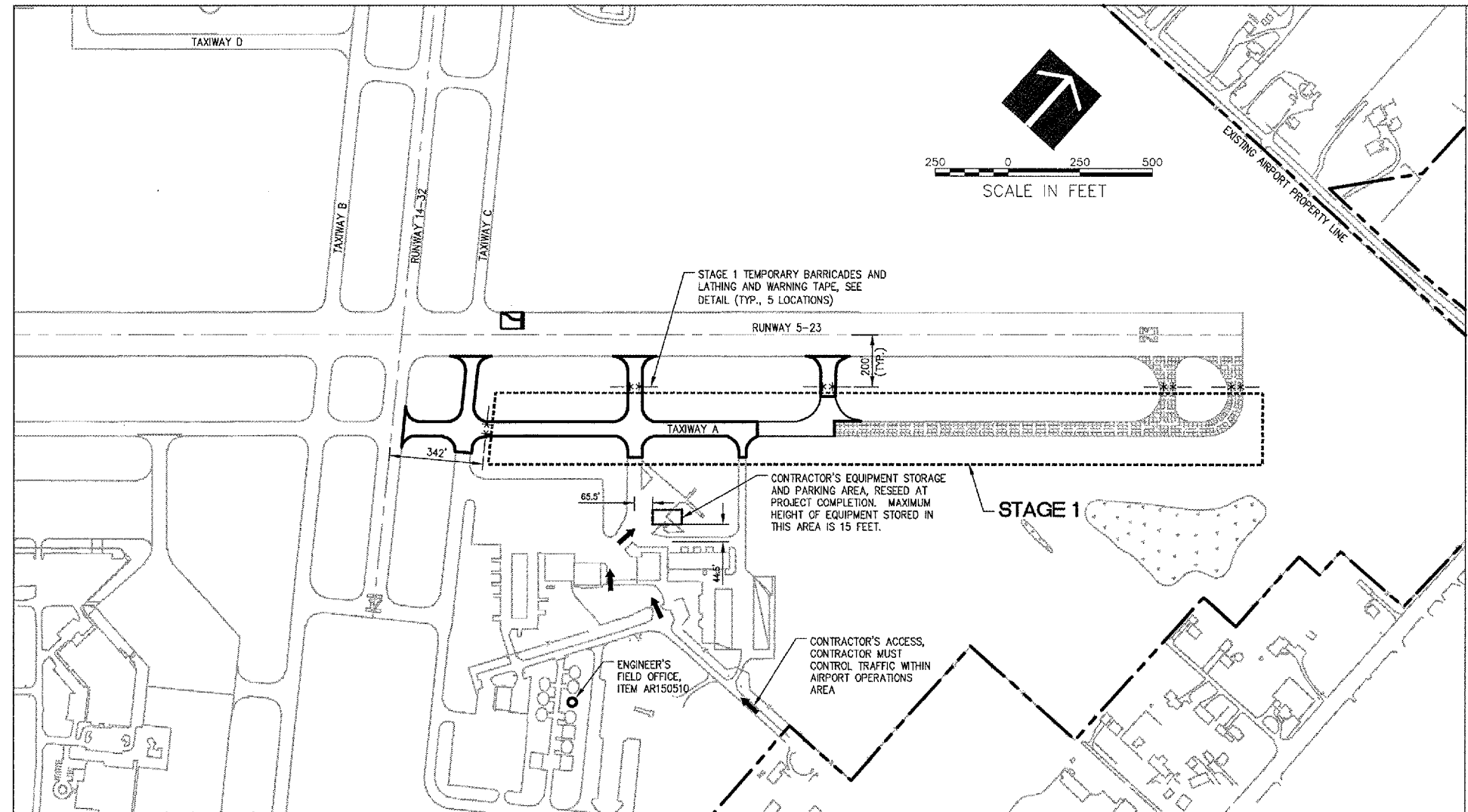
WAUKEGAN REGIONAL AIRPORT
WAUKEGAN PORT DISTRICT

3580 North McAre Road
Waukegan, Illinois 60087
Telephone: 847.244.0066
Fax: 847.244.3813

WAUKEGAN REGIONAL AIRPORT

REPAIR AND OVERLAY EAST
PORTION OF TAXIWAY A

WAUKEGAN, ILLINOIS



STAGE 1 AND 2

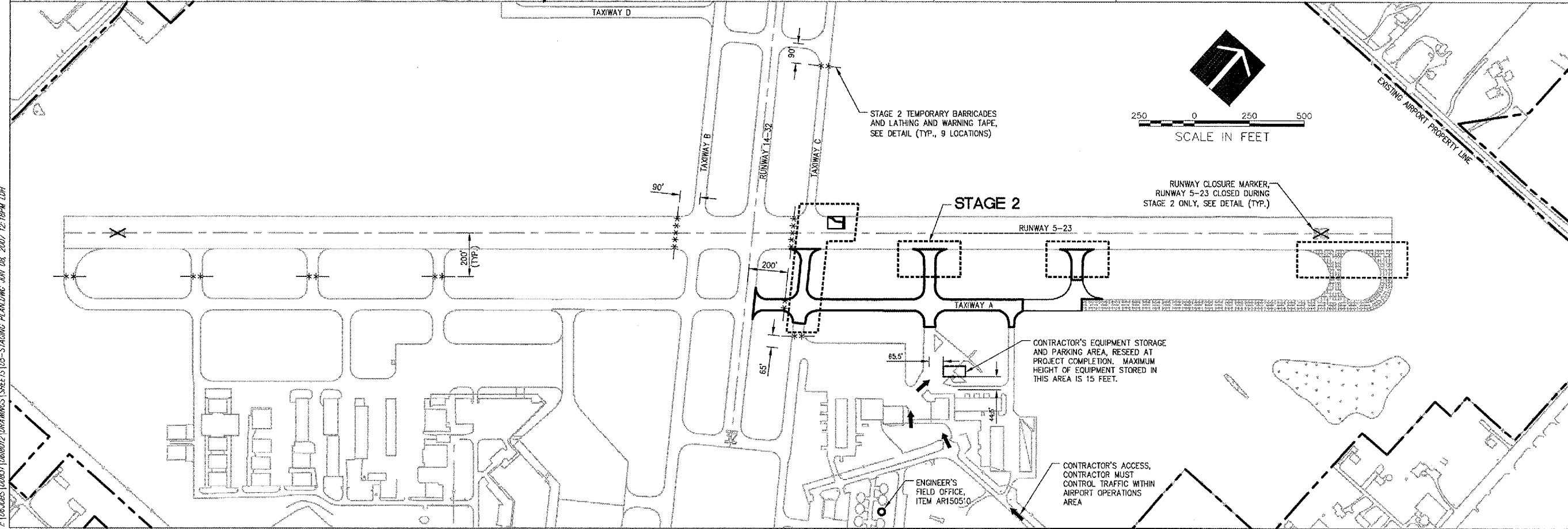
- NOTES:
- ALL CONTRACTOR'S ACTIVITIES SHALL TAKE PLACE WITHIN CONSTRUCTION LIMIT LINES AS SHOWN.
 - ALL CONSTRUCTION EQUIPMENT WILL BE LIMITED TO A HEIGHT OF 25 FEET (EXCEPT THE STORAGE AREA, WHICH IS LIMITED TO 15 FEET) UNLESS PRIOR APPROVAL GIVEN BY THE ENGINEER.
 - CONTRACTORS EQUIPMENT MAY NOT DISRUPT FLIGHT OPERATIONS ON RUNWAY 5-23 DURING STAGE 1 AND 3 OR ON RUNWAY 14-32 IN STAGE 1 AND 2.
 - SEE CONSTRUCTION AND SAFETY NOTES, SHEET 4.

THE FOLLOWING ITEMS ARE TO BE COMPLETED IN STAGE 1:

- PLACE LATHING AND WARNING TAPE AND BARRICADES AS SHOWN.
- INSTALL TEMPORARY SOIL EROSION CONTROL MEASURES AS REQUIRED.
- REMOVE AND REPLACE PORTIONS OF P.C.C. PAVEMENT.
- CLEAN AND SEAL EXISTING P.C.C. PAVEMENTS.
- REMOVE AND REPLACE PORTIONS OF BITUMINOUS PAVEMENTS.
- OVERLAY BITUMINOUS PAVEMENTS.
- FILL SHOULDERS ALONG PAVEMENT EDGES.
- ADJUST EDGE LIGHTS AND GUIDANCE SIGNS.
- PLACE TOPSOIL, SEEDING/SODDING AND MULCHING.
- COMPLETE PAVEMENT MARKINGS WITHIN STAGE 1 LIMITS.
- REMOVE BARRICADES AND LATHING AND WARNING TAPE.

THE FOLLOWING ITEMS ARE TO BE COMPLETED IN STAGE 2:

- NOTE: WORK IN STAGE 2 SHALL BE LIMITED TO 6 HOURS EACH DAY ON 4 CONSECUTIVE CALENDAR DAYS. CONTRACTOR SHALL REOPEN RUNWAY AT THE END OF EACH 6 HOUR PERIOD. BEFORE THE RUNWAY CAN BE REOPENED, THE MAXIMUM DROP IN PAVEMENT BETWEEN OLD AND NEW PAVEMENTS AND ADJACENT GROUND SHALL BE 3 INCHES. OWNER SHALL BE GIVEN 5 DAYS ADVANCE NOTICE OF THE FIRST SCHEDULED CLOSURE DAY.
- PLACE LATHING AND WARNING TAPE, BARRICADES AND RUNWAY CLOSURE MARKERS AS SHOWN.
 - OVERLAY BITUMINOUS PAVEMENTS.
 - CLEAN AND SEAL EXISTING P.C.C. PAVEMENTS.
 - FILL SHOULDERS ALONG PAVEMENT EDGES.
 - ADJUST EDGE LIGHTS AND GUIDANCE SIGNS.
 - PLACE TOPSOIL, SEEDING/SODDING AND MULCHING.
 - COMPLETE PAVEMENT MARKINGS WITHIN STAGE 2 LIMITS.
 - REMOVE ANY REMAINING DEBRIS AND SWEEP PAVEMENTS.
 - REMOVE BARRICADES AND LATHING AND WARNING TAPE.
 - REMOVE RUNWAY CLOSURE MARKERS.



No.	Drawing Issue	Description	Date	By

Date

JUNE 8, 2007

Sheet Title

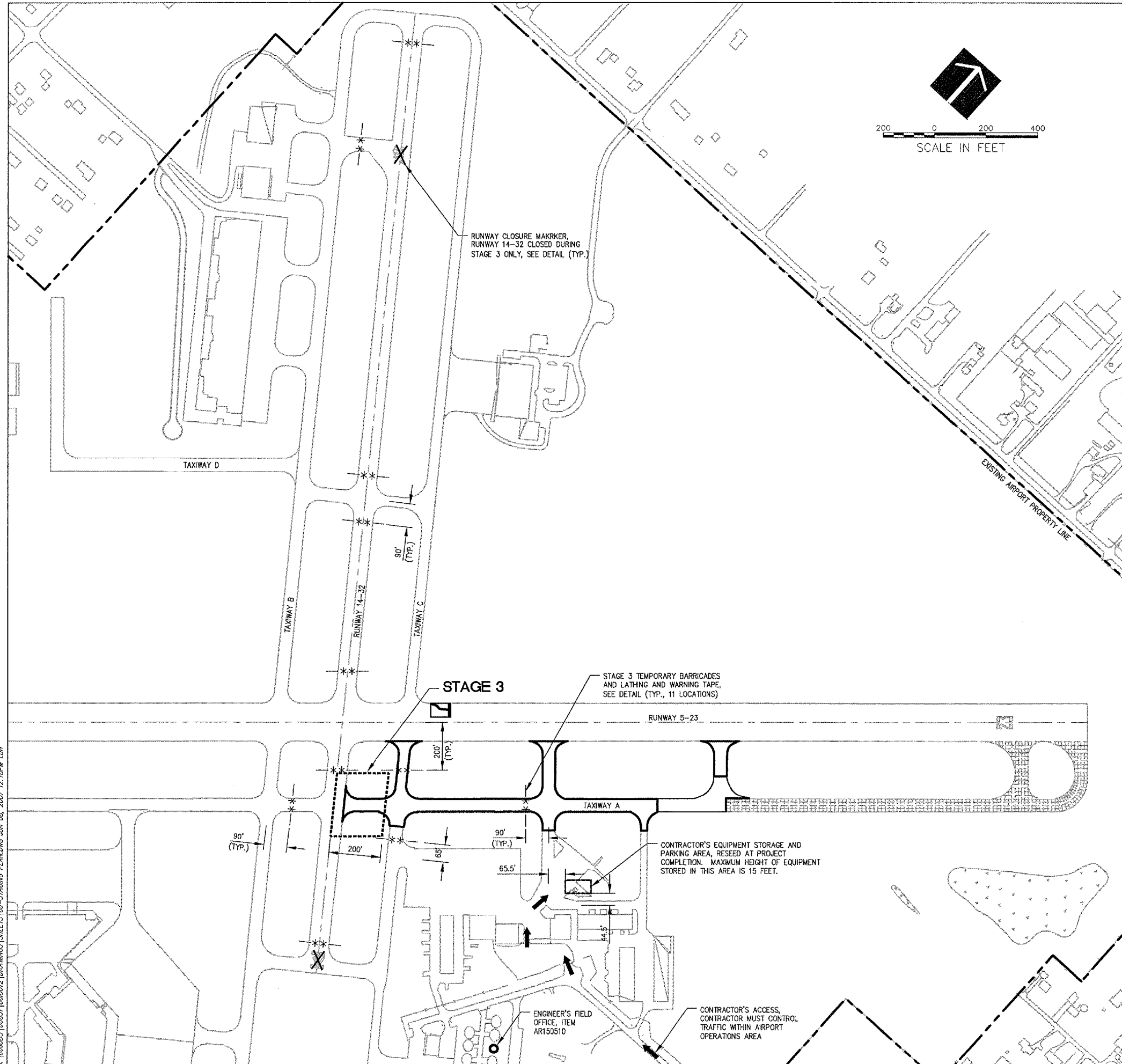
CONSTRUCTION STAGING PLAN STAGES 1 AND 2

8310618012

Project Number	
LDH	03/14/07
Layout By	Date
LDH	03/14/07
Designed By	Date
RMH	06/08/07
Reviewed By	Date
LDH	
Drawn By	

5

A:\06\08\07\1068012\DRAMA\CS1\SHEETS\05-STAGING PLAN\DWG - JUN 08, 2007 12:18PM LDH



HANSON PROFESSIONAL SERVICES INC.

815 Commerce Drive, Suite 200
Oak Brook, Illinois 60523
Telephone: 630.990.3800
Fax: 630.990.3801

Illinois Professional Design Firm
Registration No. 184-001084

© Copyright Hanson Professional Service Inc. 2007



WAUKEGAN REGIONAL AIRPORT
WAUKEGAN PORT DISTRICT

3580 North McAree Road
Waukegan, Illinois 60087
Telephone: 847.244.0066
Fax: 847.244.3813

WAUKEGAN REGIONAL AIRPORT

REPAIR AND OVERLAY EAST
PORTION OF TAXIWAY A

WAUKEGAN, ILLINOIS

STAGE 3

NOTES:

- ALL CONTRACTOR'S ACTIVITIES SHALL TAKE PLACE WITHIN CONSTRUCTION LIMIT LINES AS SHOWN.
- ALL CONSTRUCTION EQUIPMENT WILL BE LIMITED TO A HEIGHT OF 25 (EXCEPT THE STORAGE AREA, WHICH IS LIMITED TO 15 FEET) FEET UNLESS PRIOR APPROVAL GIVEN BY THE ENGINEER.
- CONTRACTOR'S EQUIPMENT MAY NOT DISRUPT FLIGHT OPERATIONS ON RUNWAY 5-23 DURING STAGE 1 AND 3 OR ON RUNWAY 14-32 IN STAGE 1 AND 2.
- SEE CONSTRUCTION AND SAFETY NOTES, SHEET 4.

THE FOLLOWING ITEMS ARE TO BE COMPLETED IN STAGE 3:

NOTE: WORK IN STAGE 3 SHALL BE LIMITED TO 3 CONSECUTIVE CALENDAR DAYS.

- PLACE LATHING AND WARNING TAPE, BARRICADES AND RUNWAY CLOSURE MARKERS AS SHOWN.
- OVERLAY BITUMINOUS PAVEMENTS.
- FILL SHOULDERS ALONG PAVEMENT EDGES.
- ADJUST EDGE LIGHTS AND GUIDANCE SIGNS.
- PLACE TOPSOIL, SEEDING/SODDING AND MULCHING.
- COMPLETE PAVEMENT MARKINGS WITHIN STAGE 3 LIMITS.
- REMOVE ANY REMAINING DEBRIS AND SWEEP PAVEMENTS.
- REMOVE BARRICADES AND LATHING AND WARNING TAPE.
- REMOVE RUNWAY CLOSURE MARKERS AND TURN OVER TO THE AIRPORT.

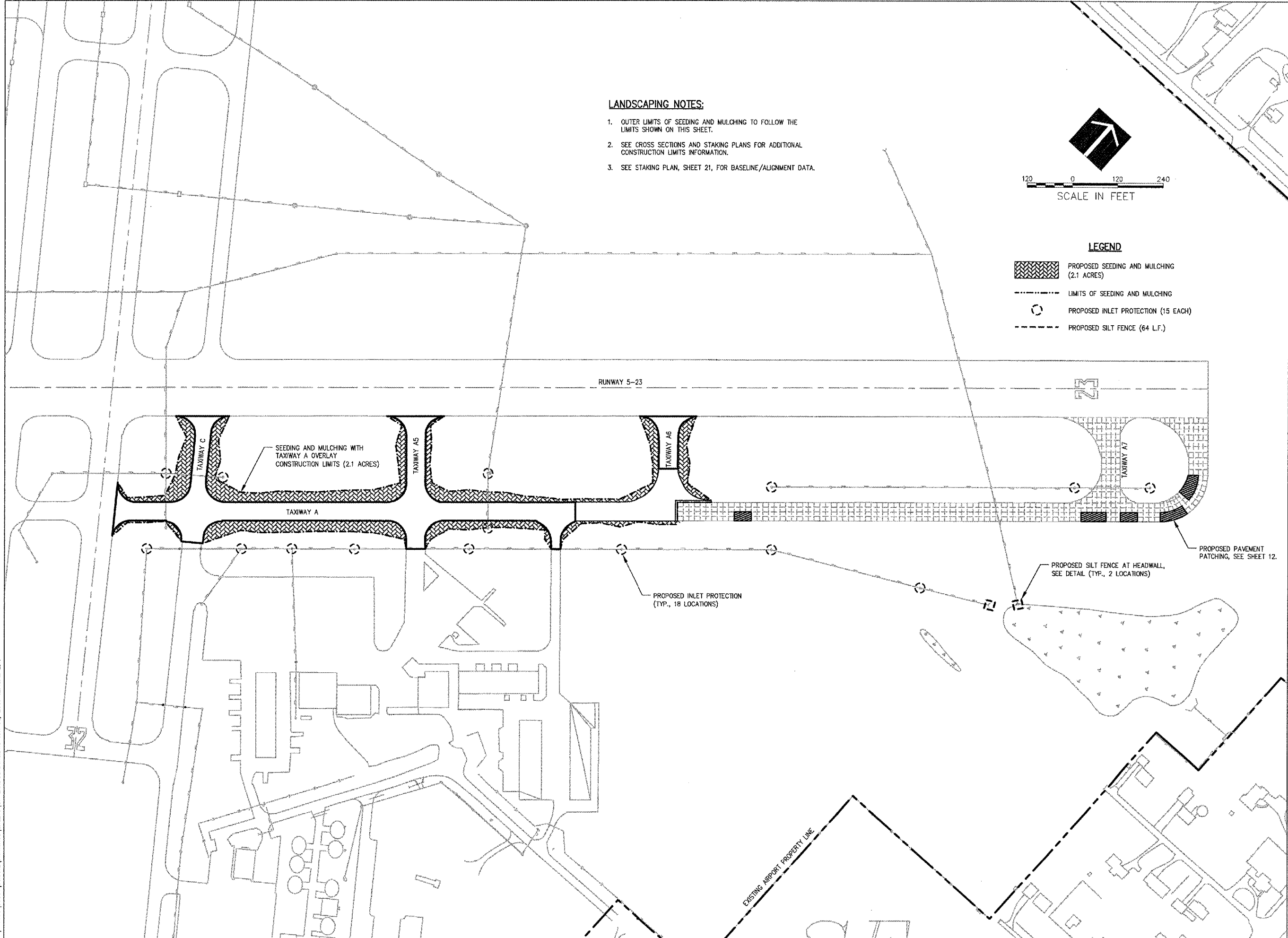
No.	Drawing Issue Description	Date	By

Date
JUNE 8, 2007
Sheet Title

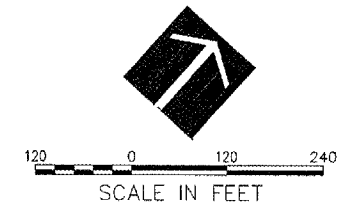
CONSTRUCTION STAGING PLAN STAGE 3

8310618012
Project Number
LDH 03/14/07
Layout By Date
LDH 03/14/07
Designed By Date
RMH 06/08/07
Reviewed By Date
LDH
Drawn By _____ Sheet No. _____

4: 1062085 (02/03) (06/01) DRAWINGS SHEETS 106-STAGING PLAN/DWG JUN 08, 2007 12:18PM LDH



- LANDSCAPING NOTES:**
1. OUTER LIMITS OF SEEDING AND MULCHING TO FOLLOW THE LIMITS SHOWN ON THIS SHEET.
 2. SEE CROSS SECTIONS AND STAKING PLANS FOR ADDITIONAL CONSTRUCTION LIMITS INFORMATION.
 3. SEE STAKING PLAN, SHEET 21, FOR BASELINE/ALIGNMENT DATA.



- LEGEND**
- PROPOSED SEEDING AND MULCHING (2.1 ACRES)
 - LIMITS OF SEEDING AND MULCHING
 - PROPOSED INLET PROTECTION (15 EACH)
 - PROPOSED SILT FENCE (64 L.F.)

WA058



HANSON PROFESSIONAL SERVICES INC.
 815 Commerce Drive, Suite 200
 Oak Brook, Illinois 60523
 Telephone: 630.990.3800
 Fax: 630.990.3801

Illinois Professional Design Firm
 Registration No. 184-001084
 © Copyright Hanson Professional Service Inc. 2007



**WAUKEGAN REGIONAL AIRPORT
 WAUKEGAN PORT DISTRICT**
 3580 North McAree Road
 Waukegan, Illinois 60087
 Telephone: 847.244.0066
 Fax: 847.244.3813

**WAUKEGAN REGIONAL AIRPORT
 REPAIR AND OVERLAY EAST
 PORTION OF TAXIWAY A
 WAUKEGAN, ILLINOIS**

No.	Drawing Issue	Description	Date	By

Date: JUNE 8, 2007
 Sheet Title: LANDSCAPING AND STORM WATER POLLUTION PREVENTION PLAN

**LANDSCAPING AND
 STORM WATER POLLUTION
 PREVENTION PLAN**

8310618012
 Project Number
 LDH 03/15/07
 Layout By Date
 LDH 03/15/07
 Designed By Date
 RMH 06/08/07
 Reviewed By Date
 LDH --- ---
 Drawn By Sheet No.

A:\06-08-07\060807\DRAWINGS\07-LANDSCAPING.DWG JUN 08 2007 12:19PM LDH



HANSON PROFESSIONAL SERVICES INC.

815 Commerce Drive, Suite 200
Oak Brook, Illinois 60523
Telephone: 630.990.3800
Fax: 630.990.3801

Illinois Professional Design Firm
Registration No. 184-001084

© Copyright Hanson Professional Service Inc. 2007



WAUKEGAN REGIONAL AIRPORT
WAUKEGAN PORT DISTRICT

3580 North McAree Road
Waukegan, Illinois 60087
Telephone: 847.244.0066
Fax: 847.244.3813

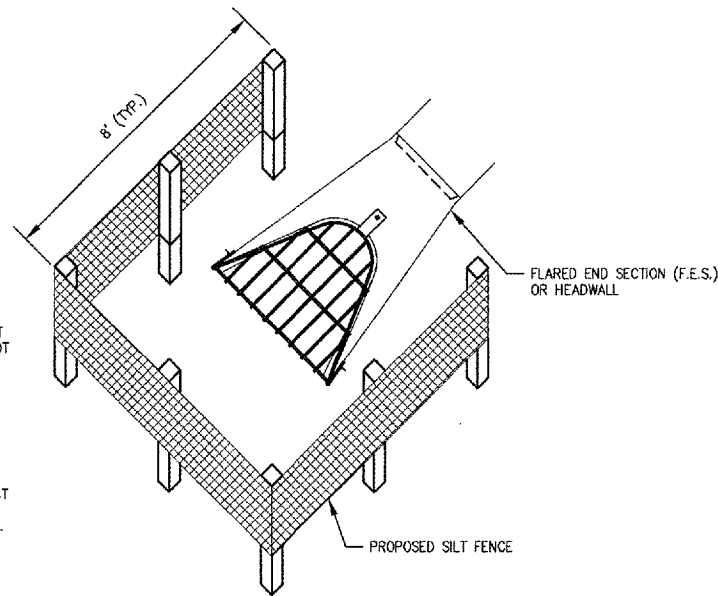
WAUKEGAN REGIONAL AIRPORT

REPAIR AND OVERLAY EAST
PORTION OF TAXIWAY A

WAUKEGAN, ILLINOIS

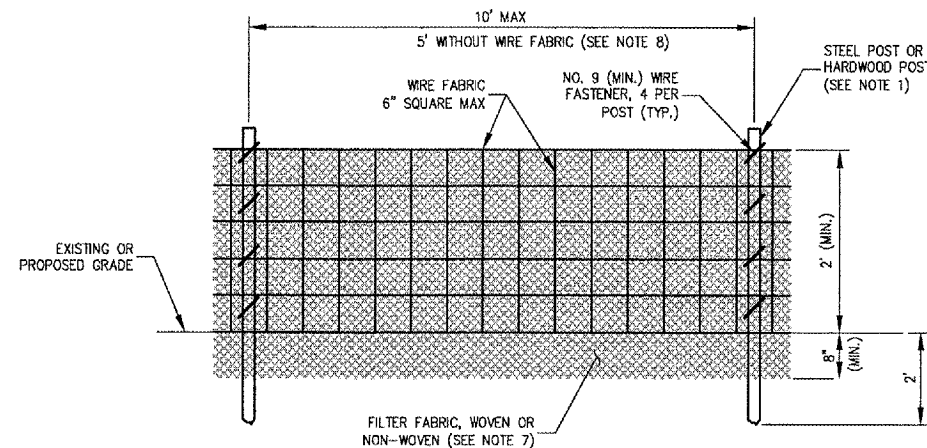
NOTES:

1. FILTER FABRIC SHALL BE EMBEDDED 8" INTO THE SOIL.
2. INSPECTION SHALL BE FREQUENT AND REPAIR/REPLACEMENT SHALL BE MADE PROMPTLY AS NEEDED.
3. SILT FENCE SHALL BE REMOVED WHEN IT HAS SERVED ITS USEFULNESS SO AS NOT TO BLOCK OR IMPEDE STORM FLOW OR DRAINAGE. CONTRACTOR SHALL PLACE SEED AND MULCH AROUND STRUCTURES PER LANDSCAPING PLAN. COST OF REMOVAL SHALL BE INCLUDED IN THE CONTRACT UNIT PRICE FOR SILT FENCE.
4. AREAS DISTURBED OUTSIDE OF CONSTRUCTION LIMITS DURING PLACEMENT OF INLET PROTECTION TO BE REGRADED, SEEDED AND MULCHED, COST INCIDENTAL TO SILT FENCE.
5. FENCE AND POSTS SHALL BE REMOVED WHEN DIRECTED AT PROJECT END.



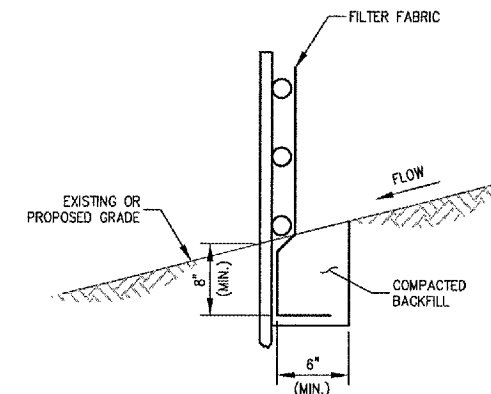
SILT FENCE PLACEMENT AT FLARED END SECTIONS (FES) OR HEADWALLS

INLET, F.E.S. OR HEADWALL PROTECTION DETAIL



ELEVATION

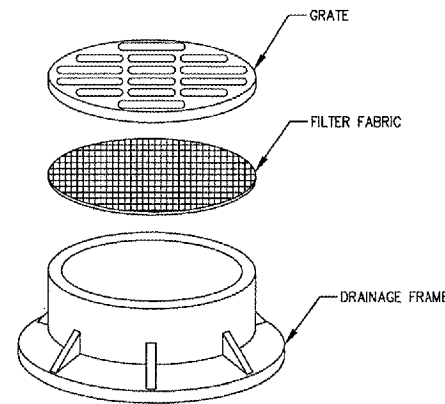
SILT FENCE DETAIL



FABRIC ANCHOR DETAIL

NOTES:

1. FENCE POST SHALL BE EITHER STEEL "T" LINE POST OR HARDWOOD POST WITH A MINIMUM SECTIONAL AREA OF 3.0 SQUARE INCHES.
2. TOP AND BOTTOM WIRE OF WIRE FABRIC SHALL BE MINIMUM GAGE NO. 9, INTERMEDIATE WIRES OF THE WIRE FABRIC SHALL BE MINIMUM GAGE NO. 11.
3. WIRE FABRIC SHALL BE SECURELY FASTENED TO FENCE POSTS WITH NO. 9 GAGE WIRE MINIMUM. FOUR (4) FASTENERS PER POST REQUIRED.
4. FILTER FABRIC SHALL BE SECURELY FASTENED TO WIRE FABRIC AND POSTS WITH TIES OR STAPLES SPACED AT 12" APART AT THE TOP, MIDDLE AND BOTTOM.
5. WHEN TWO SECTIONS OF FILTER FABRIC MEET, THEY SHALL BE OVERLAPPED BY 6" AND FOLDED AND ATTACHED TO THE WIRE FABRIC AT A POST.
6. MAINTENANCE SHALL BE PERFORMED AS NEEDED AND MATERIAL REMOVED AND REPLACED WHEN BULGES DEVELOP IN THE SILT FENCE.
7. FILTER FABRIC SHALL BE IN ACCORDANCE WITH SPECIAL PROVISIONS WITH EQUIVALENT OPENING SIZE OF AT LEAST 30 FOR NONWOVEN AND 50 FOR WOVEN.
8. WIRE FABRIC MAY BE OMITTED IF A MAXIMUM OF 5 FEET IS USED FOR POST-TO-POST SPACING.
9. SILT FENCE SHALL BE INSTALLED PRIOR TO ANY GRADING WORK IN THE AREA TO BE PROTECTED. PERIODIC INSPECTION SHALL BE PERFORMED AND REQUIRED MAINTENANCE SHALL BE PROVIDED AFTER EACH RAIN EVENT.
10. FENCE POSTS SHALL BE REMOVED WHEN DIRECTED AT PROJECT END.



INLET PROTECTION - DRAINAGE STRUCTURE FILTER WRAP

NOTES:

1. FILTER WRAP TO BE PLACED IN ALL MANHOLES AS SHOWN.
2. FABRIC SHALL BE IN CONFORMANCE WITH MATERIALS SPECIFIED FOR SILT FENCE.
3. FABRIC SHALL OVERLAY FRAME BY 2 INCHES (MINIMUM).
4. CONTRACTOR SHALL CLEAR DEBRIS AND SILT AS REQUIRED FROM FABRIC TO MAINTAIN DRAINAGE THROUGH THE STRUCTURE.
5. FABRIC SHALL REMAIN IN PLACE UNTIL TURFED AREAS HAVE DEVELOPED A MINIMUM OF 80% OF COVERAGE.
6. COST OF FILTER WRAP SHALL BE INCIDENTAL TO INLET PROTECTION.

STORM WATER POLLUTION PREVENTION NOTES

GENERAL

THE CONTRACTOR SHALL IMPLEMENT ALL PROVISIONS OF THE CONTRACT DOCUMENTS TO ASSURE THAT STORM WATER POLLUTION PREVENTION ITEMS ARE CONSTRUCTED AND MAINTAINED IN A TIMELY MANNER. SEDIMENTATION MUST NOT BE TRANSPORTED OFF THE CONSTRUCTION SITE. PERMANENT DRAINAGE FEATURES AND VEGETATIVE MEASURES SHALL BE PROVIDED AS SOON AS POSSIBLE.

THE MAINTENANCE OF ALL STORM WATER POLLUTION PREVENTION MEASURES IS INCIDENTAL TO THE ASSOCIATED ITEM.

POLLUTION PREVENTION MEASURES

THE CONTRACTOR SHALL BE REQUIRED TO IMPLEMENT AND MAINTAIN STORM WATER POLLUTION PREVENTION PRACTICES AND MEASURES PRIOR TO THE STRIPPING OF EXISTING VEGETATION WHERE EVER POSSIBLE AND AS SOON AS CONSTRUCTION PERMITS IN OTHER AREAS. POLLUTION CONTROL MEASURES SHALL BE IN ACCORDANCE WITH THE CONTRACT DOCUMENTS, INCLUDING THESE CONSTRUCTION PLANS, AND WITH STANDARDS AND SPECIFICATIONS FOR SOIL EROSION AND SEDIMENT CONTROL, ILLINOIS ENVIRONMENTAL PROTECTION AGENCY, CURRENT ISSUE. THE CONTRACTOR SHALL ADJUST HIS OPERATIONS AND IMPLEMENT POLLUTION CONTROL MEASURES SO THAT NO RUNOFF FROM STRIPPED AREAS WILL LEAVE THE CONSTRUCTION SITE OTHER THAN THROUGH SEDIMENT TRAPS OR OTHER SUITABLE CONTROL MEASURES.

POLLUTION CONTROL ITEMS SHALL BE PROVIDED AS NOTED ON THE STORM WATER POLLUTION PREVENTION PLAN AND IN THE STORM WATER POLLUTION PREVENTION DETAILS AND AS DIRECTED BY THE ENGINEER. THE LIMITS OF SUCH MEASURES SHALL BE STAKED BY THE CONTRACTOR PRIOR TO THE COMMENCEMENT OF CONSTRUCTION. SUCH LIMITS MAY BE ADJUSTED BY THE ENGINEER TO ACCOUNT FOR ACTUAL SITE CONDITIONS EXPERIENCED DURING CONSTRUCTION. ADDITIONAL COMPENSATION FOR MEASURES EXCEEDING THE PLAN QUANTITIES WILL BE PAID FOR AT THE CONTRACT UNIT PRICE FOR EACH ITEM.

THE CONTRACTOR IS TO MAINTAIN AND ADJUST, REPAIR OR REPLACE ALL POLLUTION PREVENTION MEASURES AS REQUIRED OR AS DIRECTED BY THE ENGINEER UNTIL PERMANENT VEGETATION HAS BEEN ESTABLISHED. MAINTENANCE OF POLLUTION CONTROL MEASURES IS TO BE PROVIDED AT NO ADDITIONAL COST TO THE CONTRACT.

ADDITIONAL STORMWATER POLLUTION PREVENTION MEASURES ARE EXISTING ON SITE LOCATED AT DRAINAGE FACILITIES AND ALONG THE PROPERTY LINE.

No.	Drawing Issue Description	Date	By

Date
JUNE 8, 2007

Sheet Title

STORM WATER POLLUTION PREVENTION DETAILS

Project Number	8310618012
LDH	03/14/07
LDH	03/14/07
LDH	03/14/07
LDH	06/08/07
LDH	

I:\06\005\00531\060012\DRAININGS\SHEETS\08-SWPP DETAILS.DWG JUN 08 2007 12:19PM LDH



HANSON PROFESSIONAL SERVICES INC.

815 Commerce Drive, Suite 200
Oak Brook, Illinois 60523
Telephone: 630.990.3800
Fax: 630.990.3801

Illinois Professional Design Firm
Registration No. 184-001084

© Copyright Hanson Professional Service Inc. 2007



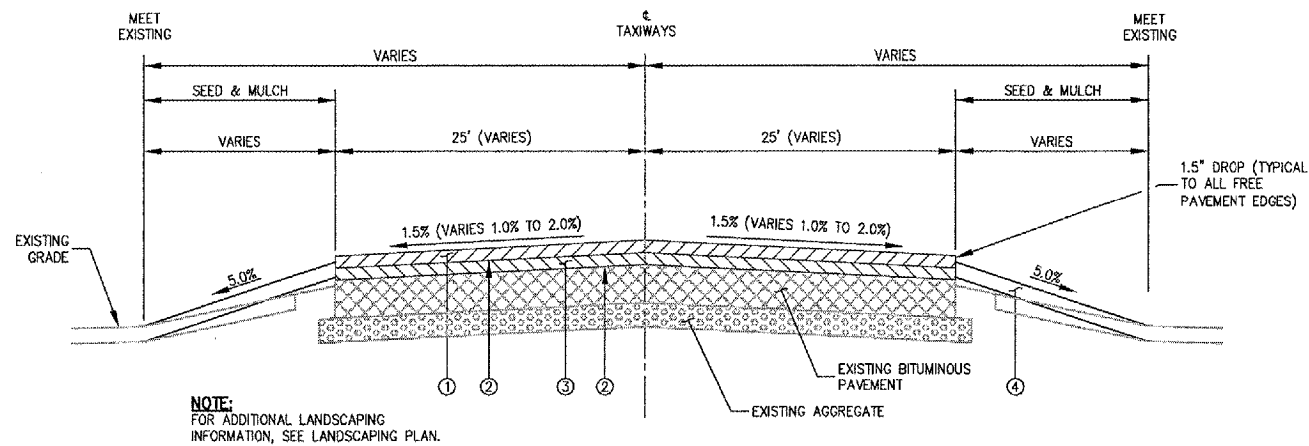
WAUKEGAN REGIONAL AIRPORT
WAUKEGAN PORT DISTRICT

3580 North McAree Road
Waukegan, Illinois 60087
Telephone: 847.244.0066
Fax: 847.244.3813

WAUKEGAN REGIONAL AIRPORT

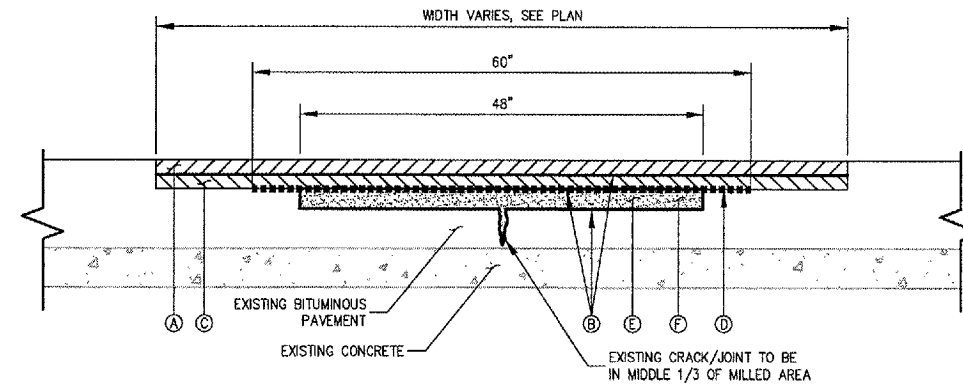
REPAIR AND OVERLAY EAST
PORTION OF TAXIWAY A

WAUKEGAN, ILLINOIS



NOTE:
FOR ADDITIONAL LANDSCAPING
INFORMATION, SEE LANDSCAPING PLAN.

TAXIWAY OVERLAY TYPICAL SECTION



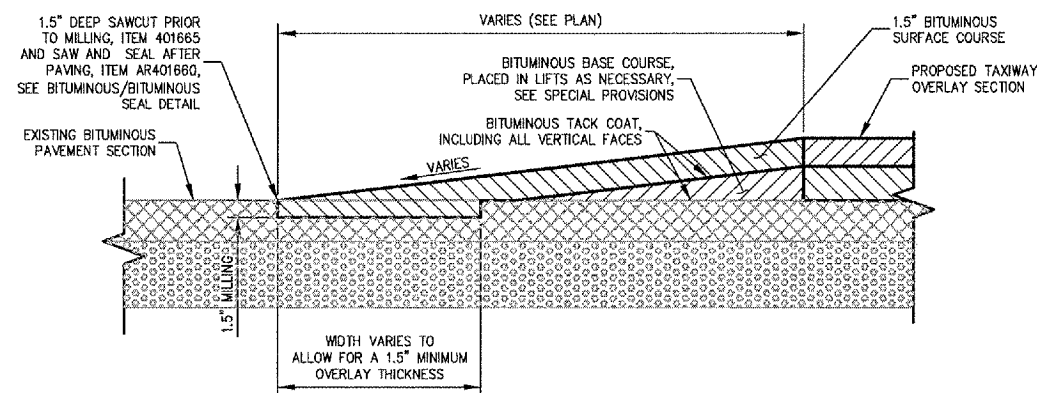
NOTES:

1. TACK COAT SHALL BE APPLIED TO MILLED SURFACE OUTSIDE OF CRACK CONTROL MATERIAL AND BETWEEN EACH ASPHALT LIFT INCLUDING VERTICAL FACES.
2. MILLING AND BITUMINOUS SAND MIX QUANTITIES BASED ON 48" WIDTH.
3. CRACK CONTROL MATERIAL SHALL OVERLAP BITUMINOUS SAND MIX 6" EACH SIDE.
4. BITUMINOUS PAVEMENT SAWING TO BE PAID FOR AS ITEM AR401665.
5. BITUMINOUS JOINT SEALING TO BE PAID FOR AS ITEM AR401660.
6. EXISTING WHITE EDGE MARKING WITHIN THE PATCH AREA SHALL BE REPLACED AND PAID UNDER ITEM AR620530. DESTROYED MARKING OUTSIDE THE PATCH SHALL ALSO BE REPLACED, HOWEVER THE COST IS INCIDENTAL. SEE PAVEMENT MARKING PLAN FOR DETAILS.

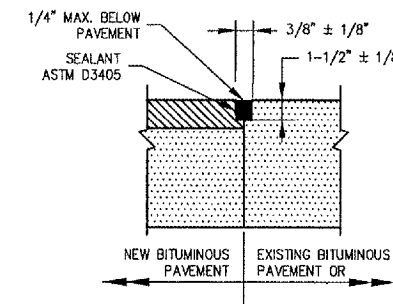
TYPICAL SECTION - PARTIAL DEPTH BITUMINOUS CRACK REPAIR AND PATCH

OVERLAY LEGEND	
①	PROPOSED 2 INCH BITUMINOUS SURFACE COURSE, ITEM AR401610.
②	PROPOSED BITUMINOUS TACK COAT, ITEM AR603510.
③	PROPOSED BITUMINOUS BASE LEVELING COURSE (DEPTH VARIES APPROXIMATELY 2" TO 3"), ITEM AR201620.
④	PROPOSED 4 INCH TOPSOIL, ITEM AR905520. SEEDING AND MULCHING AREAS, ITEMS AR901510 AND AR908510.

CRACK REPAIR LEGEND	
Ⓐ	PROPOSED 1.5 INCH BITUMINOUS SURFACE COURSE, ITEM AR401610.
Ⓑ	PROPOSED BITUMINOUS TACK COAT, ITEM AR603510.
Ⓒ	PROPOSED 1.5 INCH BITUMINOUS BASE COURSE, ITEM AR201610.
Ⓓ	CRACK CONTROL MATERIAL (60" WIDE), ITEM AR800973.
Ⓔ	BITUMINOUS SAND MIX - 2 INCH, ITEM AR800972.
Ⓕ	PAVEMENT MILLING, ITEM AR401650.



BITUMINOUS TAPER DETAIL



NOTE:
ALL BITUMINOUS/BITUMINOUS JOINT SEALING TO BE PAID UNDER SAW AND SEAL BITUMINOUS JOINTS, ITEM AR401660.

BITUMINOUS/BITUMINOUS SEAL

No.	Drawing Issue Description	Date	By

Date
JUNE 8, 2007
Sheet Title

TYPICAL SECTIONS AND PAVEMENT DETAILS

8310618012	Project Number
LDH	03/14/07
LDH	03/14/07
RMH	06/08/07
LDH	

DETAILS SHOWN ARE NOT TO SCALE

I:\06-005\00831\008012\DRAWINGS\SHEETS\09-TYPICAL SECTIONS & PAVEMENT DETAILS.DWG JUN 08, 2007 12:20PM LDH



HANSON PROFESSIONAL SERVICES INC.

815 Commerce Drive, Suite 200
Oak Brook, Illinois 60523
Telephone: 630.990.3800
Fax: 630.990.3801

Illinois Professional Design Firm
Registration No. 184-001084

© Copyright Hanson Professional Service Inc. 2007



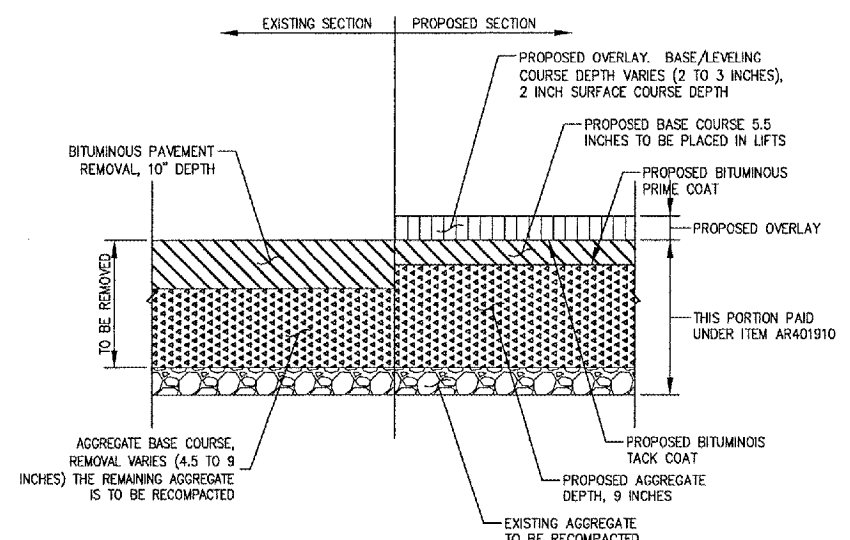
**WAUKEGAN REGIONAL AIRPORT
WAUKEGAN PORT DISTRICT**

3580 North McAree Road
Waukegan, Illinois 60087
Telephone: 847.244.0066
Fax: 847.244.3813

WAUKEGAN REGIONAL AIRPORT

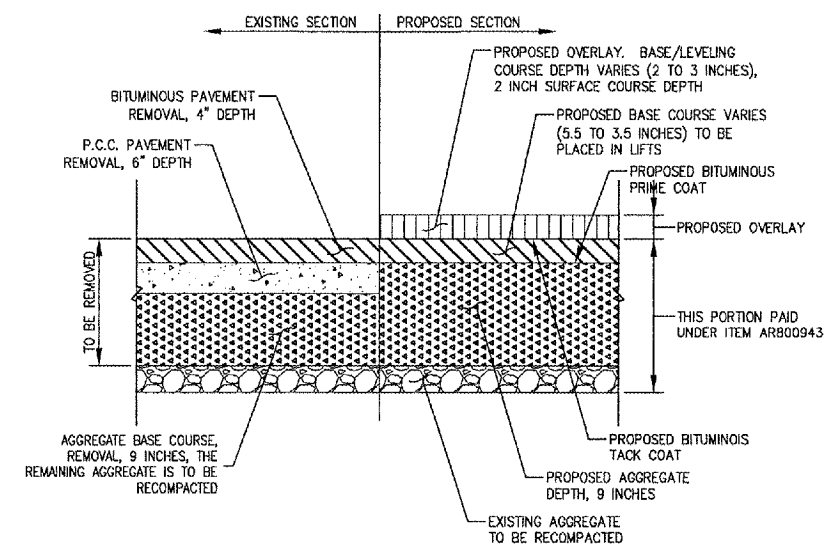
**REPAIR AND OVERLAY EAST
PORTION OF TAXIWAY A**

WAUKEGAN, ILLINOIS



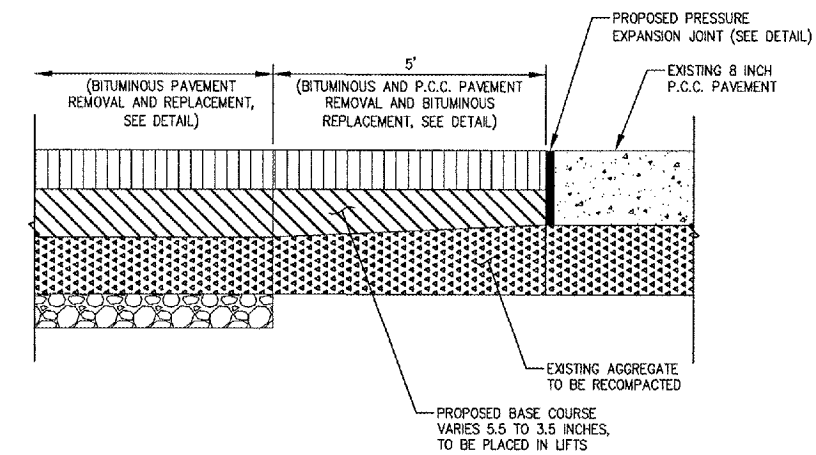
- NOTES**
1. REMOVED BITUMINOUS PAVEMENT TO BE DISPOSED OF AT AN OFFSITE LOCATION, COST INCIDENTAL TO REMOVE AND REPLACE BITUMINOUS PAVEMENT.
 2. ALL ITEMS ASSOCIATED WITH THE BITUMINOUS PAVEMENT REMOVAL AND REPLACEMENT TO BE INCLUDED IN ITEM AR401910 EXCEPT FOR BITUMINOUS PAVEMENT SAWING WHICH IS TO BE PAID AS ITEM AR401665 AND THE OVERLAY WITH IS TO BE PAID AS ITEMS AR201620 AND AR401610.
 3. NO CRACK CONTROL MATERIAL SHALL BE USED IN THE REMOVE AND REPLACE AREA.

**BITUMINOUS PAVEMENT REMOVAL AND REPLACEMENT
TAXIWAY A/A6**



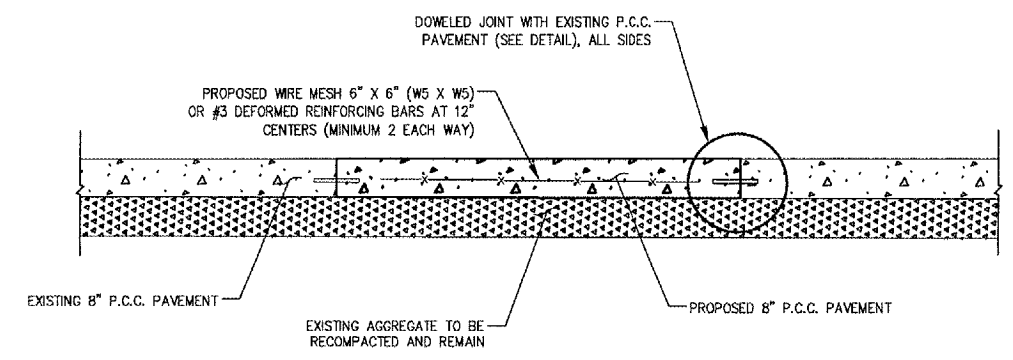
- NOTES**
1. NO CRACK CONTROL MATERIAL SHALL BE USED IN THE REMOVE AND REPLACE AREA.

BITUMINOUS AND P.C.C. PAVEMENT REMOVAL AND BITUMINOUS REPLACEMENT

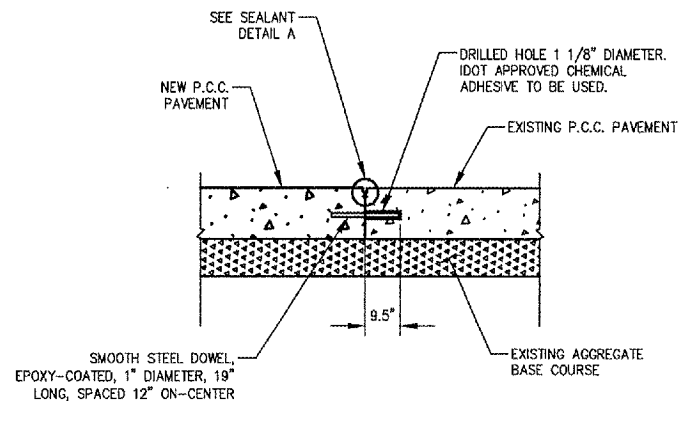


- NOTE**
1. WORK FOR PRESSURE RELIEF JOINT SHALL ONLY INCLUDE THE PREFORMED FOAM JOINT FILLER AND SEALANT. BITUMINOUS COURSES AND SAWING SHALL BE PAID UNDER RESPECTIVE PAY ITEMS.

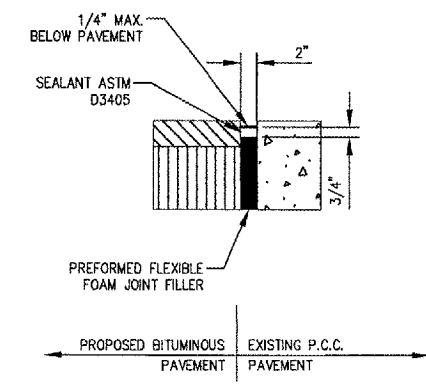
**PROPOSED BITUMINOUS PRESSURE RELIEF JOINT
SECTION A-A**



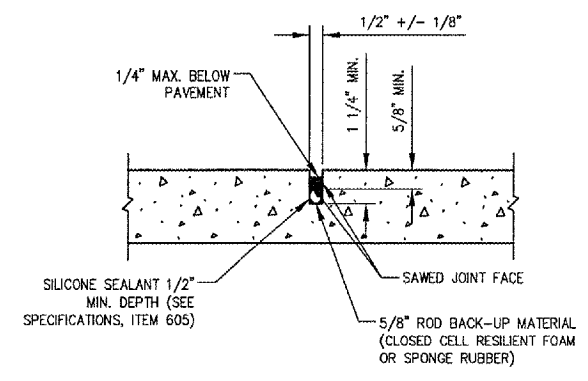
P.C.C. PAVEMENT REMOVAL AND PATCH



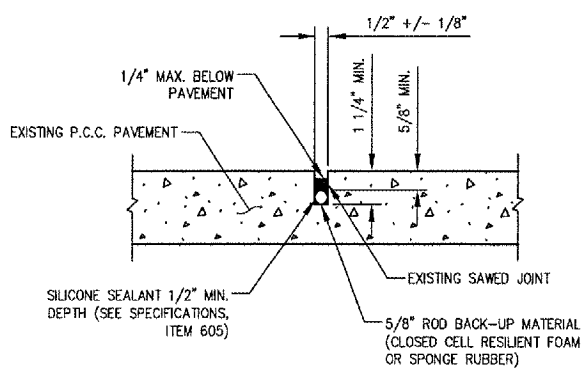
**DOWELED JOINT WITH EXISTING
P.C.C. PAVEMENT**



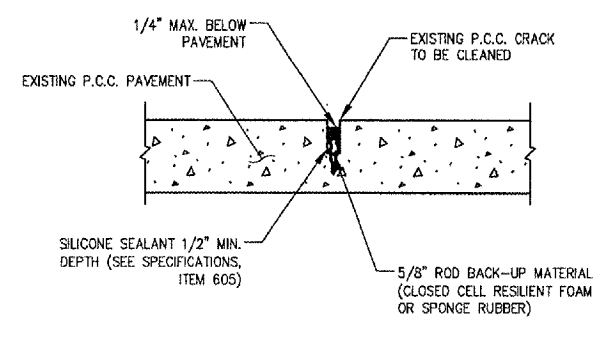
PRESSURE EXPANSION JOINT



SEALANT DETAIL A



**CLEAN AND SEAL JOINTS
DETAIL A**



**CLEAN AND SEAL CRACKS
DETAIL B**

No.	Drawing Issue Description	Date	By

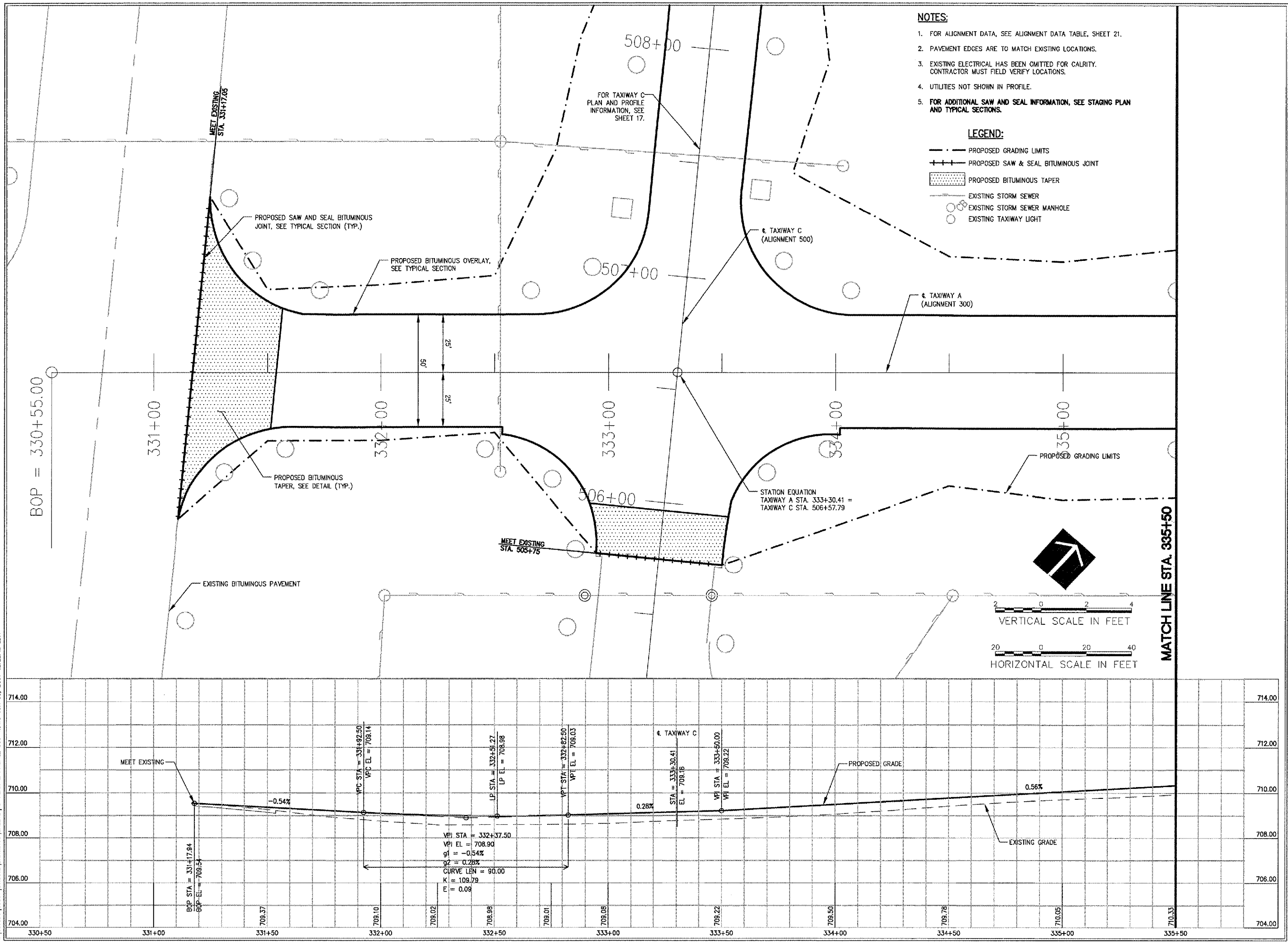
Date _____

Sheet Title **JUNE 8, 2007**

**TYPICAL SECTION AND
PAVEMENT DETAILS**

8310618012

Project Number	LDH	03/14/07
Layout By	LDH	03/14/07
Designed By	RMH	06/08/07
Reviewed By	LDH	
Drawn By		



NOTES:

1. FOR ALIGNMENT DATA, SEE ALIGNMENT DATA TABLE, SHEET 21.
2. PAVEMENT EDGES ARE TO MATCH EXISTING LOCATIONS.
3. EXISTING ELECTRICAL HAS BEEN OMITTED FOR CLARITY. CONTRACTOR MUST FIELD VERIFY LOCATIONS.
4. UTILITIES NOT SHOWN IN PROFILE.
5. FOR ADDITIONAL SAW AND SEAL INFORMATION, SEE STAGING PLAN AND TYPICAL SECTIONS.

LEGEND:

- PROPOSED GRADING LIMITS
- - - - PROPOSED SAW & SEAL BITUMINOUS JOINT
- ▨ PROPOSED BITUMINOUS TAPER
- ▨ PROPOSED BITUMINOUS OVERLAY, SEE TYPICAL SECTION
- EXISTING STORM SEWER
- EXISTING STORM SEWER MANHOLE
- EXISTING TAXIWAY LIGHT

WA058



HANSON PROFESSIONAL SERVICES INC.

815 Commerce Drive, Suite 200
Oak Brook, Illinois 60523
Telephone: 630.990.3800
Fax: 630.990.3801

Illinois Professional Design Firm
Registration No. 184-001084

© Copyright Hanson Professional Service Inc. 2007



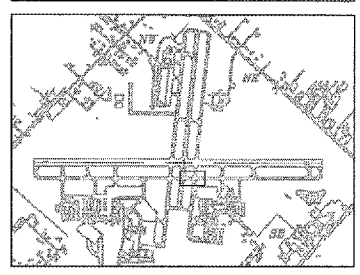
WAUKEGAN REGIONAL AIRPORT
WAUKEGAN PORT DISTRICT

3580 North McAree Road
Waukegan, Illinois 60087
Telephone: 847.244.0066
Fax: 847.244.3813

WAUKEGAN REGIONAL AIRPORT

REPAIR AND OVERLAY EAST
PORTION OF TAXIWAY A

WAUKEGAN, ILLINOIS



No.	Drawing Issue Description	Date	By

Date

JUNE 8, 2007

Sheet Title

**PLAN AND PROFILE
TAXIWAY A
STA. 330+55 THRU
STA. 335+50**

8310618012	Project Number
LDH	03/26/07
LDH	03/26/07
RMH	06/08/07
LDH	06/08/07
LDH	06/08/07



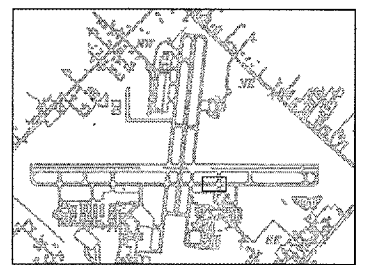
HANSON PROFESSIONAL SERVICES INC.
 815 Commerce Drive, Suite 200
 Oak Brook, Illinois 60523
 Telephone: 630.990.3800
 Fax: 630.990.3801

Illinois Professional Design Firm
 Registration No. 184-001084
 © Copyright Hanson Professional Service Inc. 2007



WAUKEGAN REGIONAL AIRPORT
 WAUKEGAN PORT DISTRICT
 3580 North McAree Road
 Waukegan, Illinois 60087
 Telephone: 847.244.0066
 Fax: 847.244.3813

WAUKEGAN REGIONAL AIRPORT
 REPAIR AND OVERLAY EAST
 PORTION OF TAXIWAY A
 WAUKEGAN, ILLINOIS

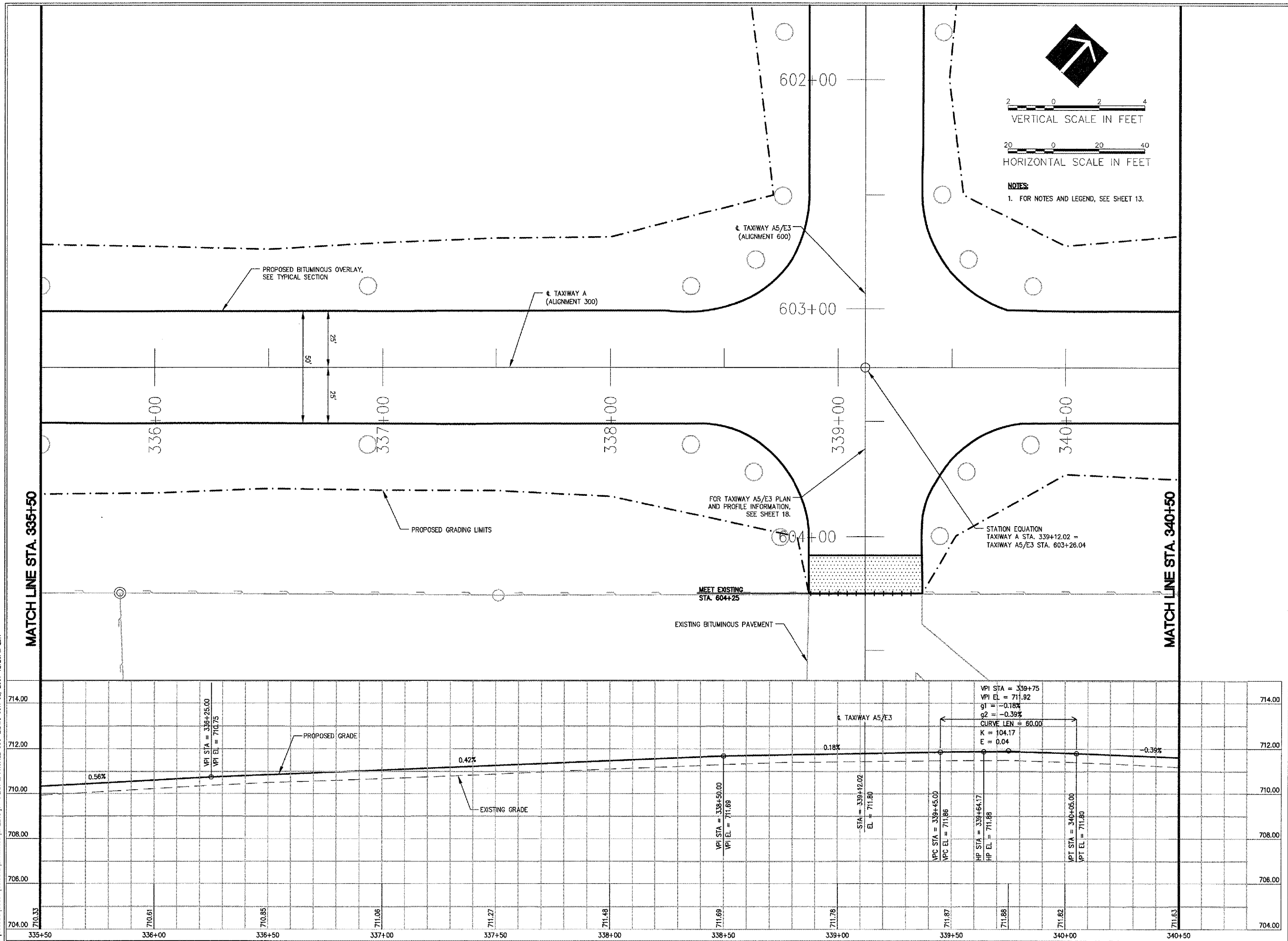


No.	Drawing Issue Description	Date	By

Date
 JUNE 8, 2007
 Sheet Title

PLAN AND PROFILE
 TAXIWAY A
 STA. 335+50 THRU
 STA. 340+50

8310618012	Project Number
LDH	Date 03/26/07
LDH	Date 03/26/07
RMH	Date 06/08/07
LDH	Date
LDH	Date



I:\PROJECTS\008371\068001\DRAWINGS\SPACE\14-PLAN & PROFILE_300-2.DWG JUN 08, 2007 12:23PM LDH



HANSON PROFESSIONAL SERVICES INC.

815 Commerce Drive, Suite 200
Oak Brook, Illinois 60523
Telephone: 630.990.3800
Fax: 630.990.3801

Illinois Professional Design Firm
Registration No. 184-001084

© Copyright Hanson Professional Service Inc. 2007



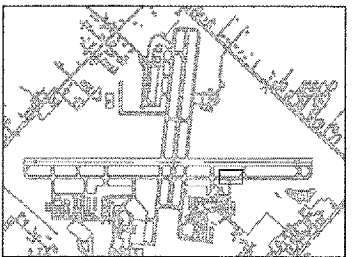
WAUKEGAN REGIONAL AIRPORT
WAUKEGAN PORT DISTRICT

3580 North McAree Road
Waukegan, Illinois 60087
Telephone: 847.244.0066
Fax: 847.244.3813

WAUKEGAN REGIONAL AIRPORT

REPAIR AND OVERLAY EAST
PORTION OF TAXIWAY A

WAUKEGAN, ILLINOIS



No.	Drawing Issue	Description	Date	By

Date

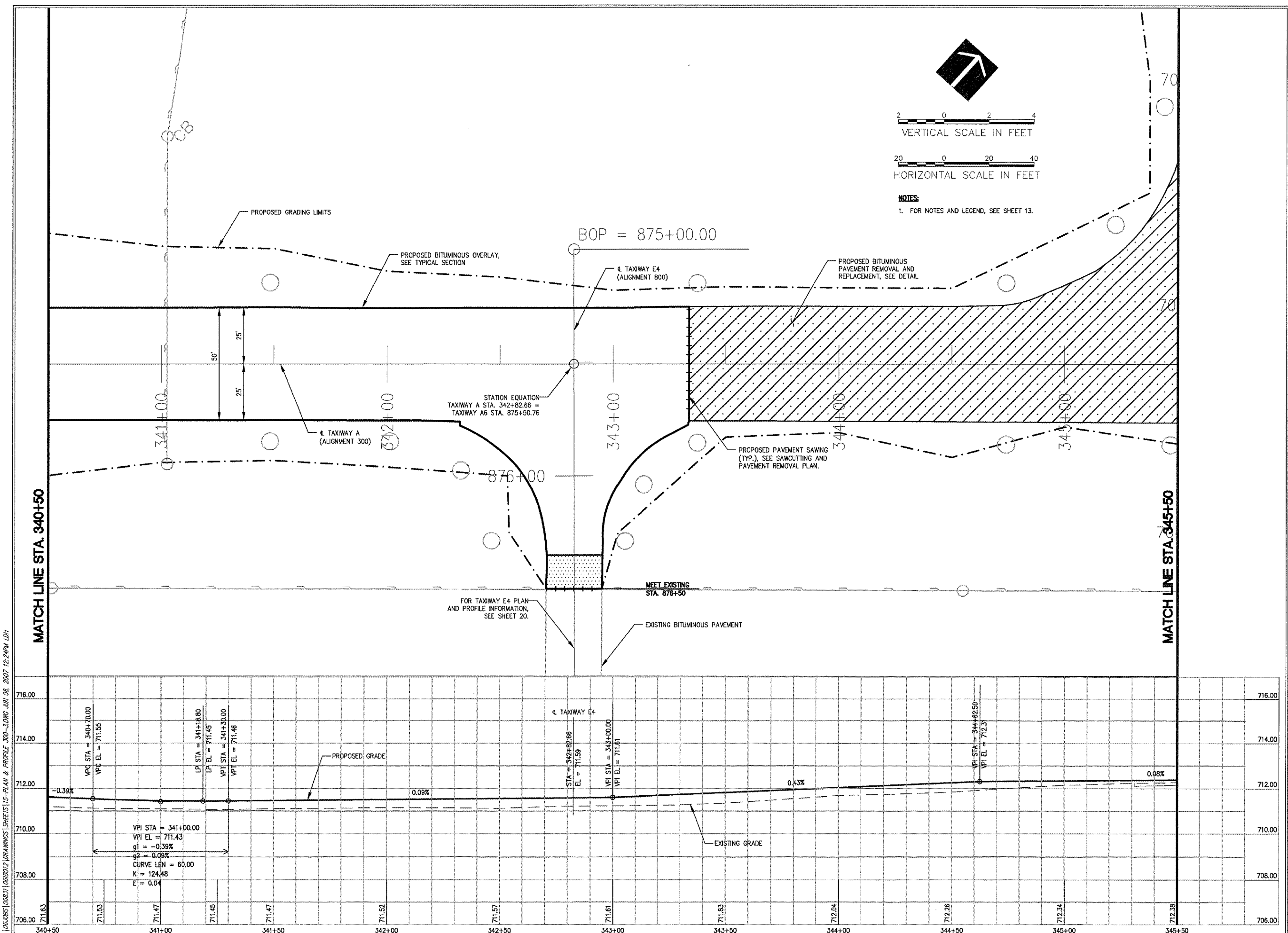
JUNE 8, 2007

Sheet Title

**PLAN AND PROFILE
TAXIWAY A
STA. 340+50 THRU
STA. 345+50**

8310618012

Project Number
LDH 03/26/07
Logon By Date
LDH 03/26/07
Designed By Date
RMH 06/08/07
Reviewed By Date
LDH
Drawn By



VERTICAL SCALE IN FEET

HORIZONTAL SCALE IN FEET

NOTES
1. FOR NOTES AND LEGEND, SEE SHEET 13.

Z:\L062005\00631\0610012\DRAWINGS\SHEET\15-PLAN & PROFILE 300-3\DWG JUN 08, 2007 12:24PM LDH



HANSON PROFESSIONAL SERVICES INC.

815 Commerce Drive, Suite 200
Oak Brook, Illinois 60523
Telephone: 630.990.3800
Fax: 630.990.3801

Illinois Professional Design Firm
Registration No. 184-001084

© Copyright Hanson Professional Service Inc. 2007



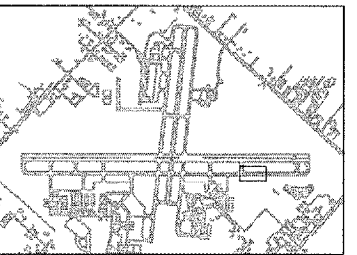
WAUKEGAN REGIONAL AIRPORT
WAUKEGAN PORT DISTRICT

3580 North McAree Road
Waukegan, Illinois 60087
Telephone: 847.244.0066
Fax: 847.244.3813

WAUKEGAN REGIONAL AIRPORT

REPAIR AND OVERLAY EAST
PORTION OF TAXIWAY A

WAUKEGAN, ILLINOIS



No.	Drawing Issue Description	Date	By

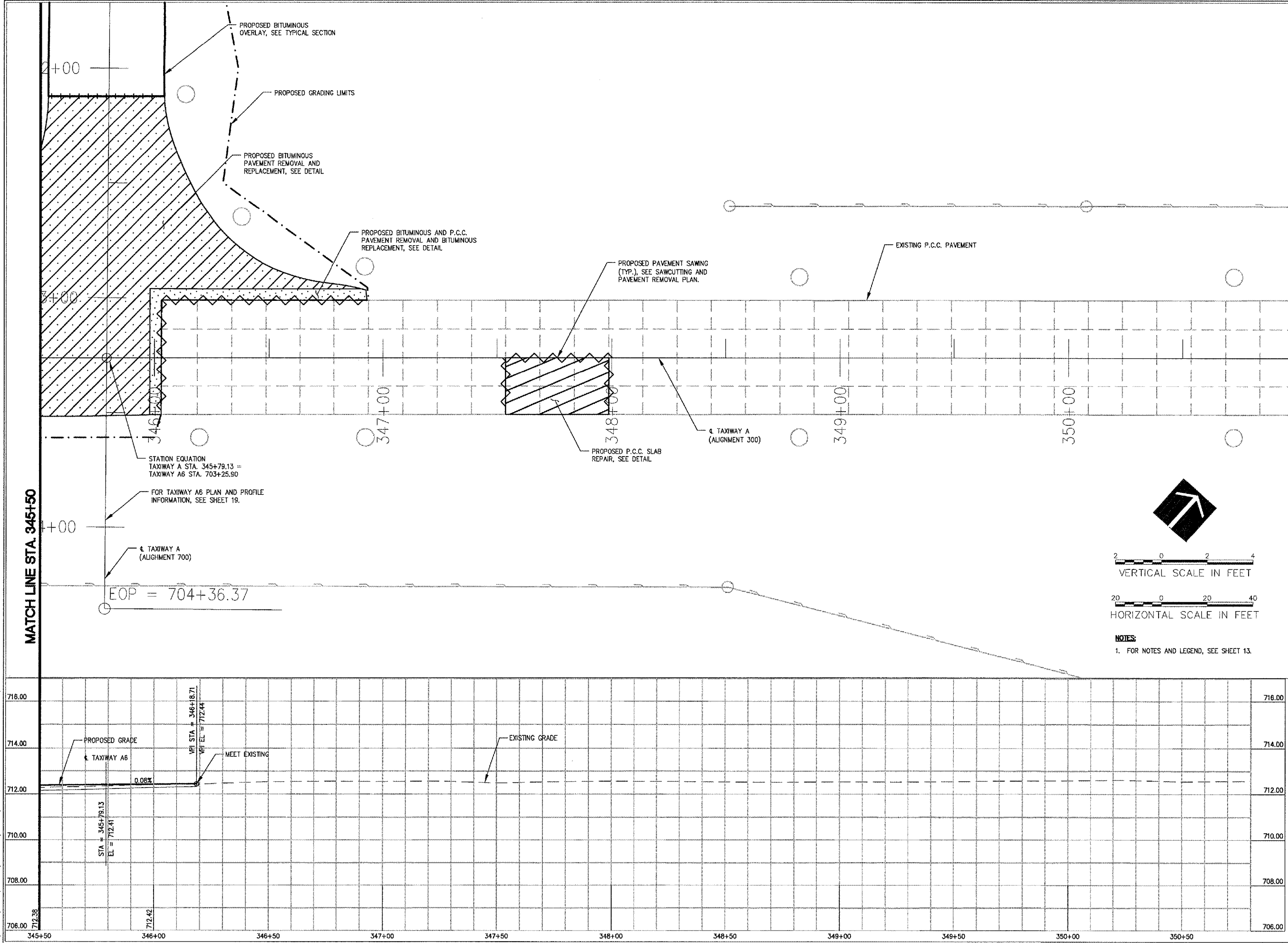
Date

JUNE 8, 2007

Sheet Title

PLAN AND PROFILE
TAXIWAY A
STA. 345+50 THRU
STA. 350+50

8310618012
Project Number
LDH 03/26/07
Layout By Date
LDH 03/26/07
Designed By Date
RMH 06/08/07
Reviewed By Date
LDH
Drawn By



A: 106-2051 (0083) (06/8/07) [DRAWINGS] [SHEETS] [16-PLAN & PROFILE 300-ALIGN JUN 08, 2007 12:24PM LDH



HANSON PROFESSIONAL SERVICES INC.

815 Commerce Drive, Suite 200
Oak Brook, Illinois 60523
Telephone: 630.990.3800
Fax: 630.990.3801

Illinois Professional Design Firm
Registration No. 184-001084

© Copyright Hanson Professional Service Inc. 2007



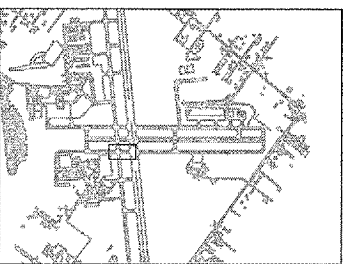
WAUKEGAN REGIONAL AIRPORT
WAUKEGAN PORT DISTRICT

3580 North McAree Road
Waukegan, Illinois 60087
Telephone: 847.244.0066
Fax: 847.244.3813

WAUKEGAN REGIONAL AIRPORT

REPAIR AND OVERLAY EAST
PORTION OF TAXIWAY A

WAUKEGAN, ILLINOIS



No.	Drawing Issue Description	Date	By

Date

JUNE 8, 2007

Sheet Title

PLAN AND PROFILE TAXIWAY C

8310618012

Project Number

LDH 03/27/07

LDH 03/27/07

RMH 06/08/07

LDH

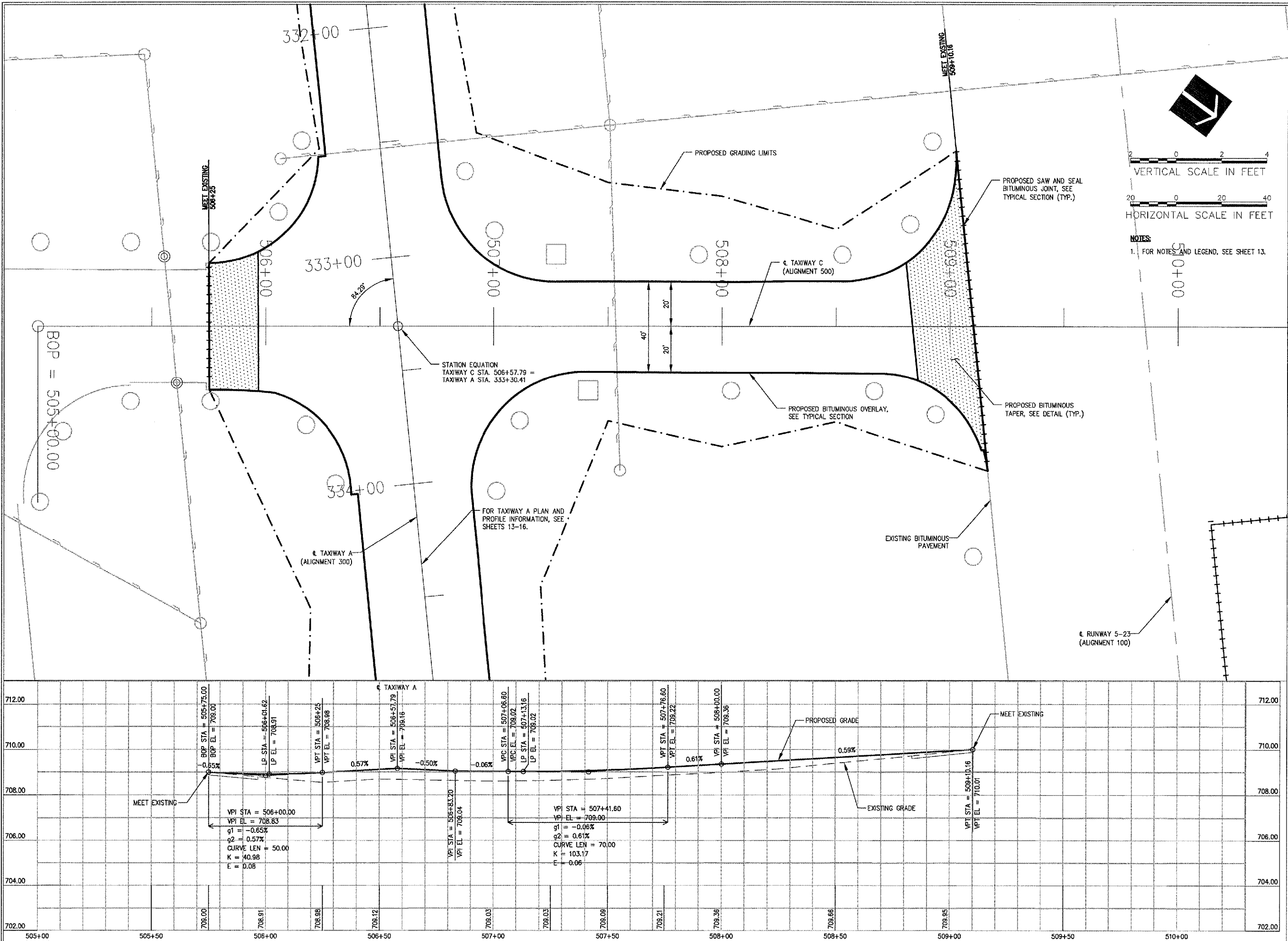
LDH

LDH

LDH

LDH

LDH



4: (06/28/07 10:08:31) (D:\08012\DRAWINGS\SHEETS\17-PLAN & PROFILE 500-1.DWG JUN 08 2007 12:25PM LDH)



HANSON PROFESSIONAL SERVICES INC.

815 Commerce Drive, Suite 200
Oak Brook, Illinois 60523
Telephone: 630.990.3800
Fax: 630.990.3801

Illinois Professional Design Firm
Registration No. 184-001084

© Copyright Hanson Professional Service Inc. 2007



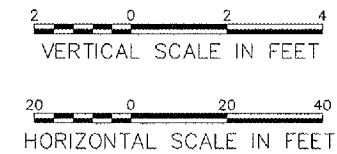
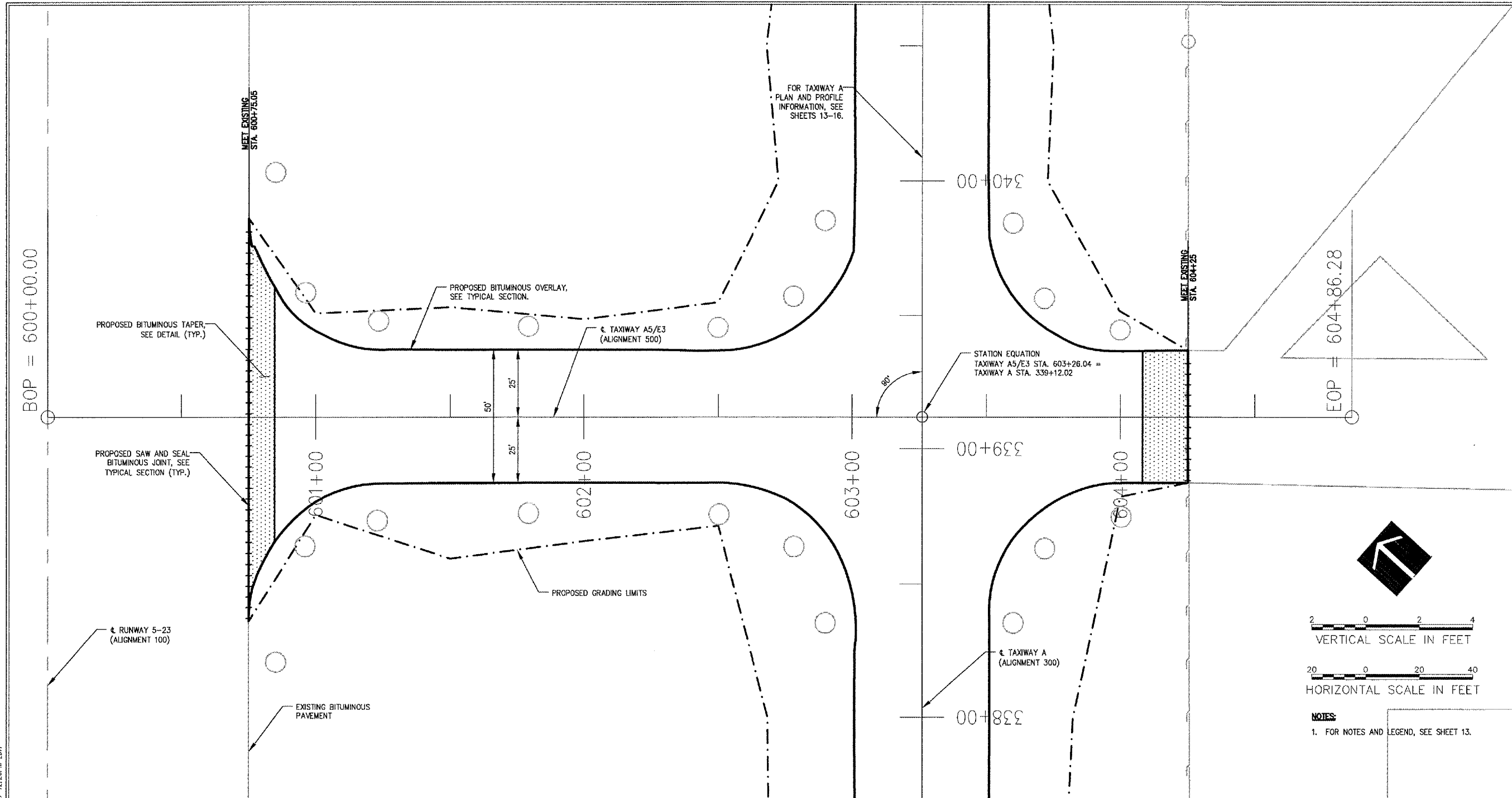
WAUKEGAN REGIONAL AIRPORT
WAUKEGAN PORT DISTRICT

3580 North McAree Road
Waukegan, Illinois 60087
Telephone: 847.244.0066
Fax: 847.244.3813

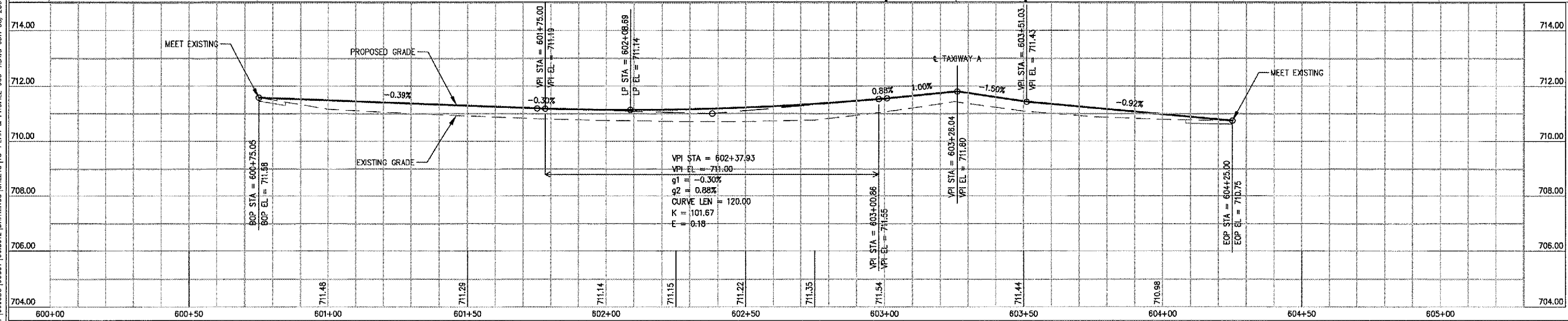
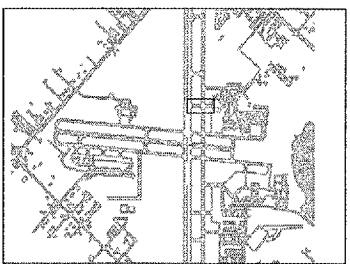
WAUKEGAN REGIONAL AIRPORT

REPAIR AND OVERLAY EAST
PORTION OF TAXIWAY A

WAUKEGAN, ILLINOIS



NOTES:
1. FOR NOTES AND LEGEND, SEE SHEET 13.



1: 1062051 00821 060012 DRAWINGS SHEETS 18-PLAN & PROFILE 600-LDING JUN 06 2007 12:28PM LDH

No.	Drawing Issue Description	Date	By

Date: JUNE 8, 2007
Sheet Title: PLAN AND PROFILE TAXIWAY A5/E3

Project Number	8310618012
LDH	03/27/07
Layout By	Date
LDH	03/27/07
Designed By	Date
RMH	06/08/07
Reviewed By	Date
LDH	---
Drawn By	Sheet No.



HANSON PROFESSIONAL SERVICES INC.

815 Commerce Drive, Suite 200
Oak Brook, Illinois 60523
Telephone: 630.990.3800
Fax: 630.990.3801

Illinois Professional Design Firm
Registration No. 184-001084

© Copyright Hanson Professional Service Inc. 2007



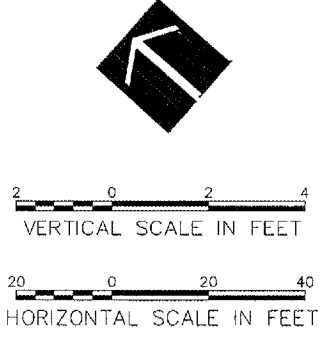
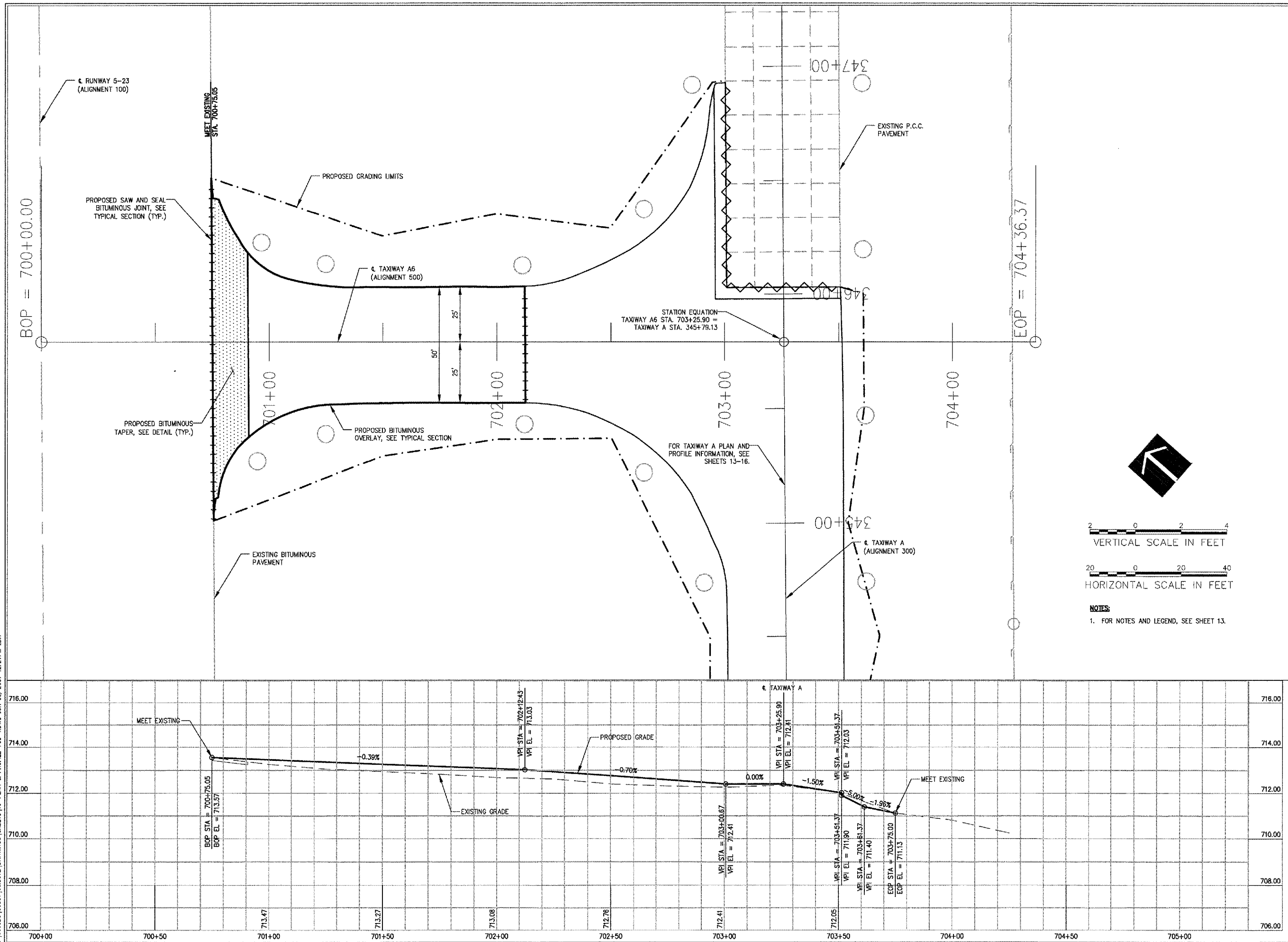
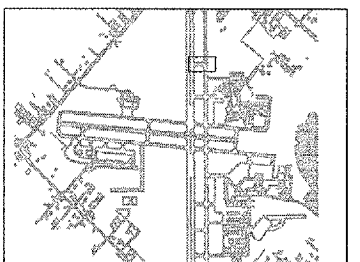
WAUKEGAN REGIONAL AIRPORT
WAUKEGAN FORT DISTRICT

3580 North McAree Road
Waukegan, Illinois 60087
Telephone: 847.244.0066
Fax: 847.244.3813

WAUKEGAN REGIONAL AIRPORT

REPAIR AND OVERLAY EAST
PORTION OF TAXIWAY A

WAUKEGAN, ILLINOIS



NOTES:
1. FOR NOTES AND LEGEND, SEE SHEET 13.

No.	Drawing Issue Description	Date	By

Date: JUNE 8, 2007
Sheet Title: PLAN AND PROFILE TAXIWAY A6

PLAN AND PROFILE
TAXIWAY A6

Project Number	8310618012
LDH	03/27/07
LDH	03/27/07
RMH	06/08/07
LDH	---

4. LOGJOBS (0083) (080012) DRAWINGS SHEETS 19-PLAN & PROFILE 700-LONG JUN 08, 2007 12:27PM LDH



HANSON PROFESSIONAL SERVICES INC.

815 Commerce Drive, Suite 200
Oak Brook, Illinois 60523
Telephone: 630.990.3800
Fax: 630.990.3801

Illinois Professional Design Firm
Registration No. 184-001084

© Copyright Hanson Professional Service Inc. 2007



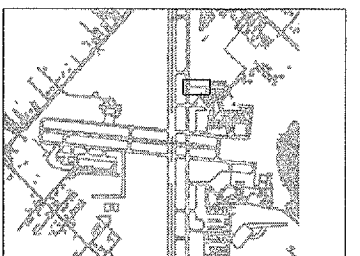
WAUKEGAN REGIONAL AIRPORT
WAUKEGAN PORT DISTRICT

3580 North McAree Road
Waukegan, Illinois 60087
Telephone: 847.244.0066
Fax: 847.244.3813

WAUKEGAN REGIONAL AIRPORT

REPAIR AND OVERLAY EAST
PORTION OF TAXIWAY A

WAUKEGAN, ILLINOIS



No.	Drawing Issue Description	Date	By

No. Drawing Issue Description Date By

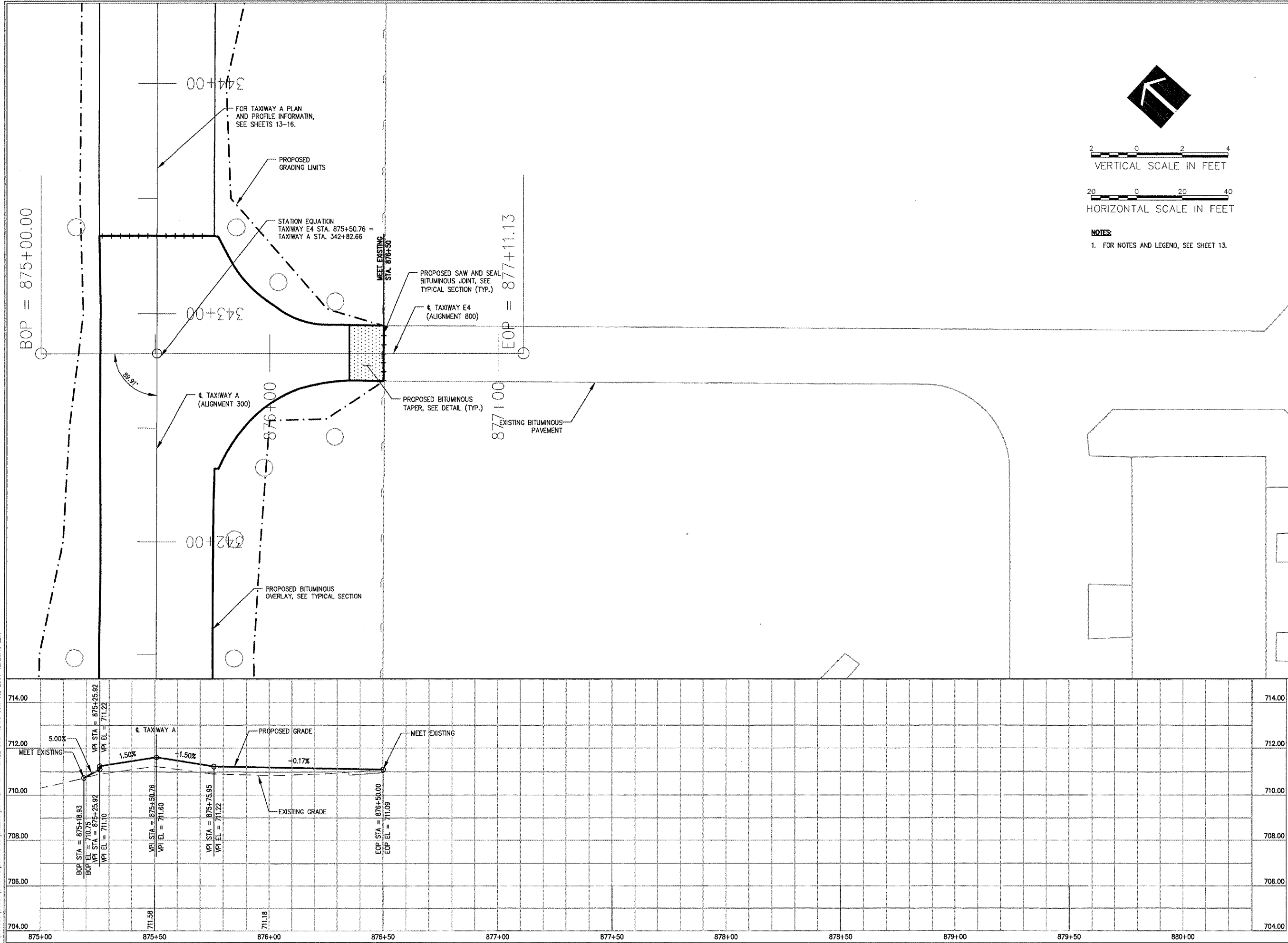
Date

JUNE 8, 2007

Sheet Title

PLAN AND PROFILE
TAXIWAY E4

8310618012
Project Number
LDH 03/28/07
Layout By Date
LDH 03/28/07
Designed By Date
RMH 06/08/07
Reviewed By Date
LDH
Drawn By



A:\06\005\0057\06\0012\DRAWINGS\SHEETS\20-PLAN & PROFILE 800-LDING JUN 08 2007 12:28PM LDH



HANSON PROFESSIONAL SERVICES INC.

815 Commerce Drive, Suite 200
Oak Brook, Illinois 60523
Telephone: 630.990.3800
Fax: 630.990.3801

Illinois Professional Design Firm
Registration No. 184-001084

© Copyright Hanson Professional Service Inc. 2007



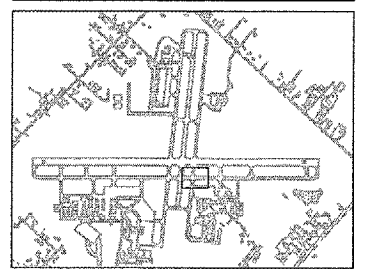
WAUKEGAN REGIONAL AIRPORT
WAUKEGAN PORT DISTRICT

3580 North McAree Road
Waukegan, Illinois 60087
Telephone: 847.244.0066
Fax: 847.244.3813

WAUKEGAN REGIONAL AIRPORT

REPAIR AND OVERLAY EAST
PORTION OF TAXIWAY A

WAUKEGAN, ILLINOIS



No.	Drawing Issue Description	Date	By

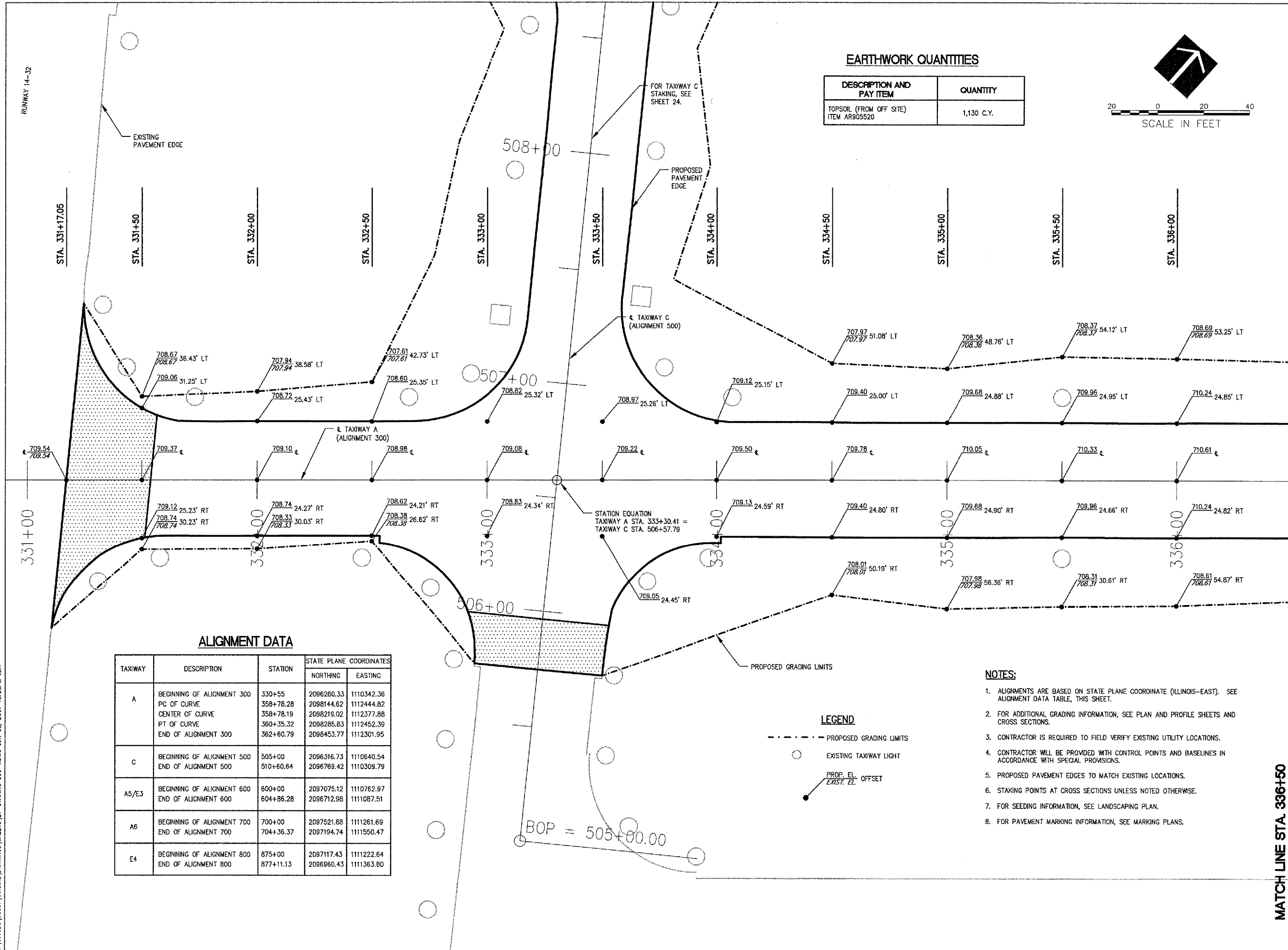
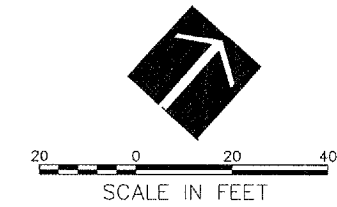
Date
JUNE 8, 2007

Sheet Title
**STAKING PLAN
TAXIWAY A
STA. 331+00 THRU
STA. 336+50**

8310618012
Project Number
LDH 04/02/07
Layout By Date
LDH 04/02/07
Designed By Date
RMH 06/08/07
Reviewed By Date
LDH
Drawn By Date

EARTHWORK QUANTITIES

DESCRIPTION AND PAY ITEM	QUANTITY
TOPSOIL (FROM OFF SITE) ITEM AR905520	1,130 C.Y.



ALIGNMENT DATA

TAXIWAY	DESCRIPTION	STATION	STATE PLANE COORDINATES	
			NORTHING	EASTING
A	BEGINNING OF ALIGNMENT 300	330+55	2096260.33	1110342.36
	PC OF CURVE	358+78.28	2098144.62	1112444.82
	CENTER OF CURVE	358+78.19	2098219.02	1112377.88
	PT OF CURVE	360+35.32	2098285.83	1112452.39
	END OF ALIGNMENT 300	362+60.79	2098453.77	1112301.95
C	BEGINNING OF ALIGNMENT 500	505+00	2096316.73	1110640.54
	END OF ALIGNMENT 500	510+60.64	2096789.42	1110309.79
A5/E3	BEGINNING OF ALIGNMENT 600	600+00	2097075.12	1110762.97
	END OF ALIGNMENT 600	604+86.28	2096712.98	1111087.51
A6	BEGINNING OF ALIGNMENT 700	700+00	2097521.88	1111261.69
	END OF ALIGNMENT 700	704+36.37	2097194.74	1111550.47
E4	BEGINNING OF ALIGNMENT 800	875+00	2097117.43	1111222.64
	END OF ALIGNMENT 800	877+11.13	2096960.43	1111363.80

NOTES:

- ALIGNMENTS ARE BASED ON STATE PLANE COORDINATE (ILLINOIS-EAST). SEE ALIGNMENT DATA TABLE, THIS SHEET.
- FOR ADDITIONAL GRADING INFORMATION, SEE PLAN AND PROFILE SHEETS AND CROSS SECTIONS.
- CONTRACTOR IS REQUIRED TO FIELD VERIFY EXISTING UTILITY LOCATIONS.
- CONTRACTOR WILL BE PROVIDED WITH CONTROL POINTS AND BASELINES IN ACCORDANCE WITH SPECIAL PROVISIONS.
- PROPOSED PAVEMENT EDGES TO MATCH EXISTING LOCATIONS.
- STAKING POINTS AT CROSS SECTIONS UNLESS NOTED OTHERWISE.
- FOR SEEDING INFORMATION, SEE LANDSCAPING PLAN.
- FOR PAVEMENT MARKING INFORMATION, SEE MARKING PLANS.

LEGEND

- PROPOSED GRADING LIMITS
- EXISTING TAXIWAY LIGHT
- PROP. EL. OFFSET
- EXIST. EL.

Z:\06\JOBS\06031\06031\DRAWINGS\SHEETS\21-STAKING-300-LDING JOHN 08, 2007 12:28PM LDH

MATCH LINE STA. 336+50



HANSON PROFESSIONAL SERVICES INC.

815 Commerce Drive, Suite 200
Oak Brook, Illinois 60523
Telephone: 630.990.3800
Fax: 630.990.3801

Illinois Professional Design Firm
Registration No. 184-001084

© Copyright Hanson Professional Service Inc. 2007



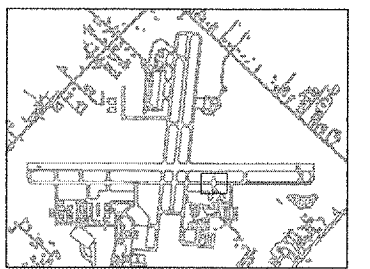
WAUKEGAN REGIONAL AIRPORT
WAUKEGAN PORT DISTRICT

3580 North McAree Road
Waukegan, Illinois 60087
Telephone: 847.244.0066
Fax: 847.244.3813

WAUKEGAN REGIONAL AIRPORT

REPAIR AND OVERLAY EAST
PORTION OF TAXIWAY A

WAUKEGAN, ILLINOIS

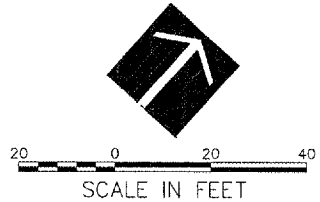


No.	Drawing Issue Description	Date	By

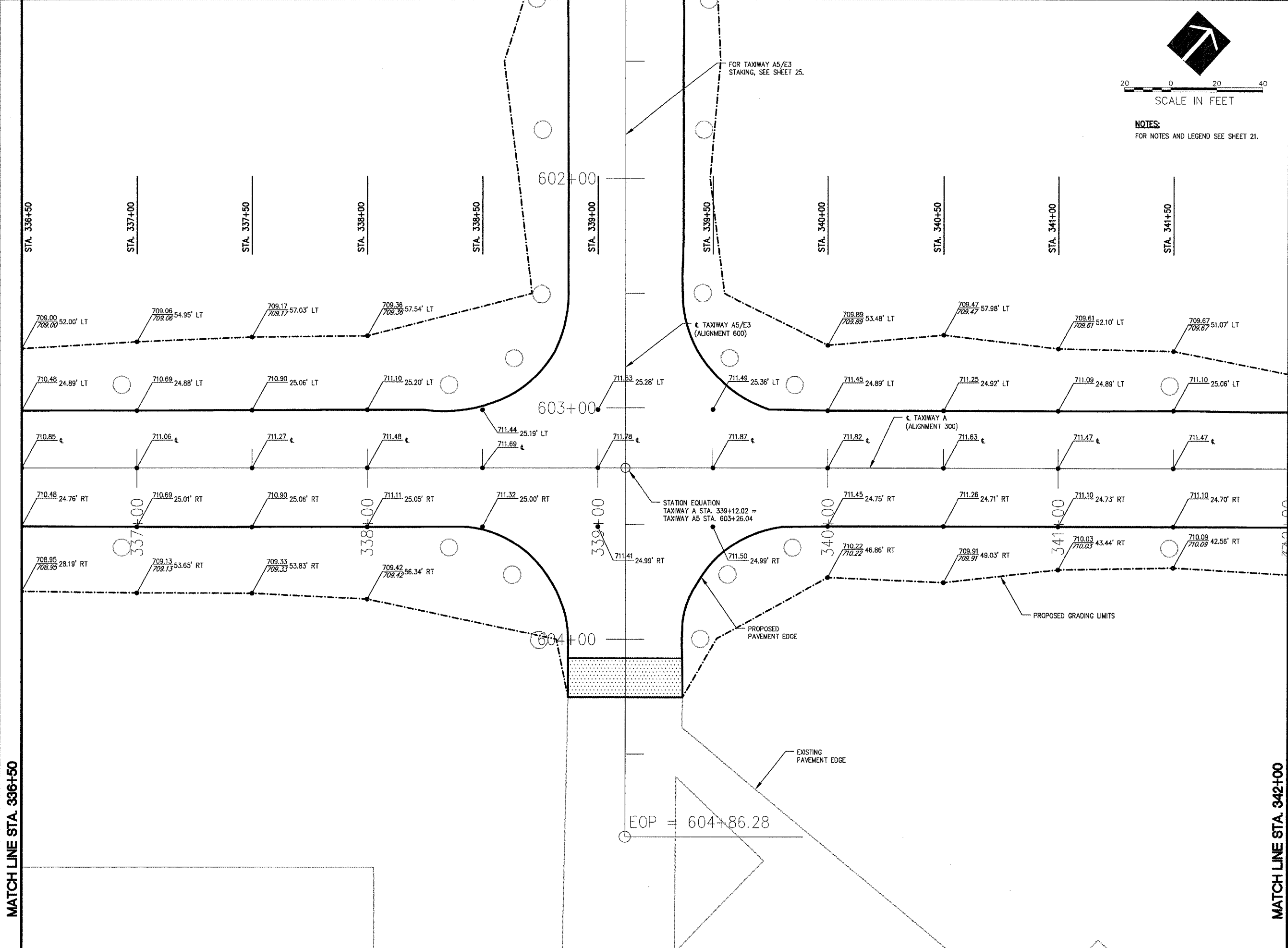
Date
JUNE 8, 2007

Sheet Title
**STAKING PLAN
TAXIWAY A
STA. 336+50 THRU
STA. 342+00**

8310618012
Project Number
LDH 04/02/07
Layout By Date
LDH 04/02/07
Designed By Date
RMH 06/08/07
Reviewed By Date
LDH --- ---
Drawn By Sheet No.



NOTES:
FOR NOTES AND LEGEND SEE SHEET 21.



MATCH LINE STA. 336+50

MATCH LINE STA. 342+00

Z:\06\005\00031\060012\DRAWINGS\SHEETS\2-2\STAKING 300-2.DWG JUN 08 2007 12:29PM LDH



HANSON PROFESSIONAL SERVICES INC.

815 Commerce Drive, Suite 200
Oak Brook, Illinois 60523
Telephone: 630.990.3800
Fax: 630.990.3801

Illinois Professional Design Firm
Registration No. 184-001084

© Copyright Hanson Professional Service Inc. 2007



20 0 20 40
SCALE IN FEET

NOTES:
FOR NOTES AND LEGEND SEE SHEET 21.

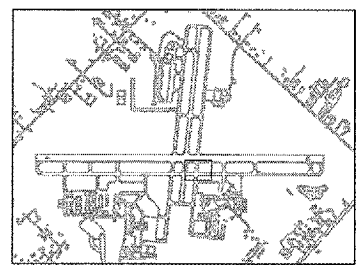
WAUKEGAN REGIONAL AIRPORT
WAUKEGAN PORT DISTRICT

3580 North McAree Road
Waukegan, Illinois 60087
Telephone: 847.244.0066
Fax: 847.244.3813

WAUKEGAN REGIONAL AIRPORT

REPAIR AND OVERLAY EAST PORTION OF TAXIWAY A

WAUKEGAN, ILLINOIS



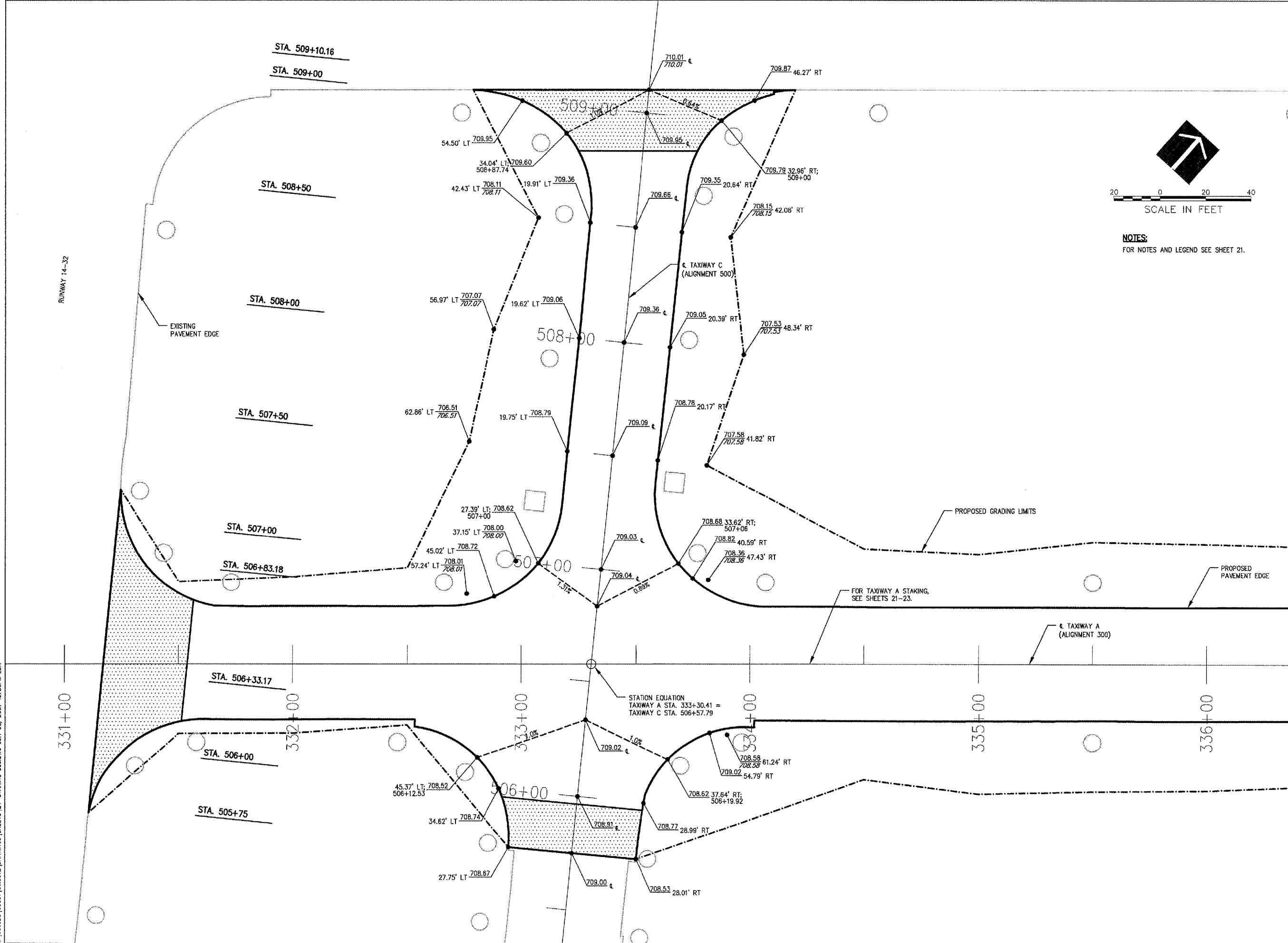
No.	Drawing Issue Description	Date	By

Date
JUNE 8, 2007

Sheet Title

STAKING PLAN
TAXIWAY C

8310618012	
Project Number	
LDH	04/04/07
Layout By	Date
LDH	04/04/07
Designed By	Date
RMH	06/08/07
Reviewed By	Date
LDH	
Drawn By	Sheet No.



4: 106:285 (0083) [068012] [DRAWINGS] [SHEETS] 24 - STAKING 300.DWG JUN 08, 2007 12:30PM LDH



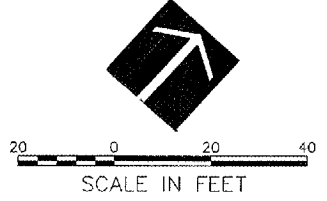
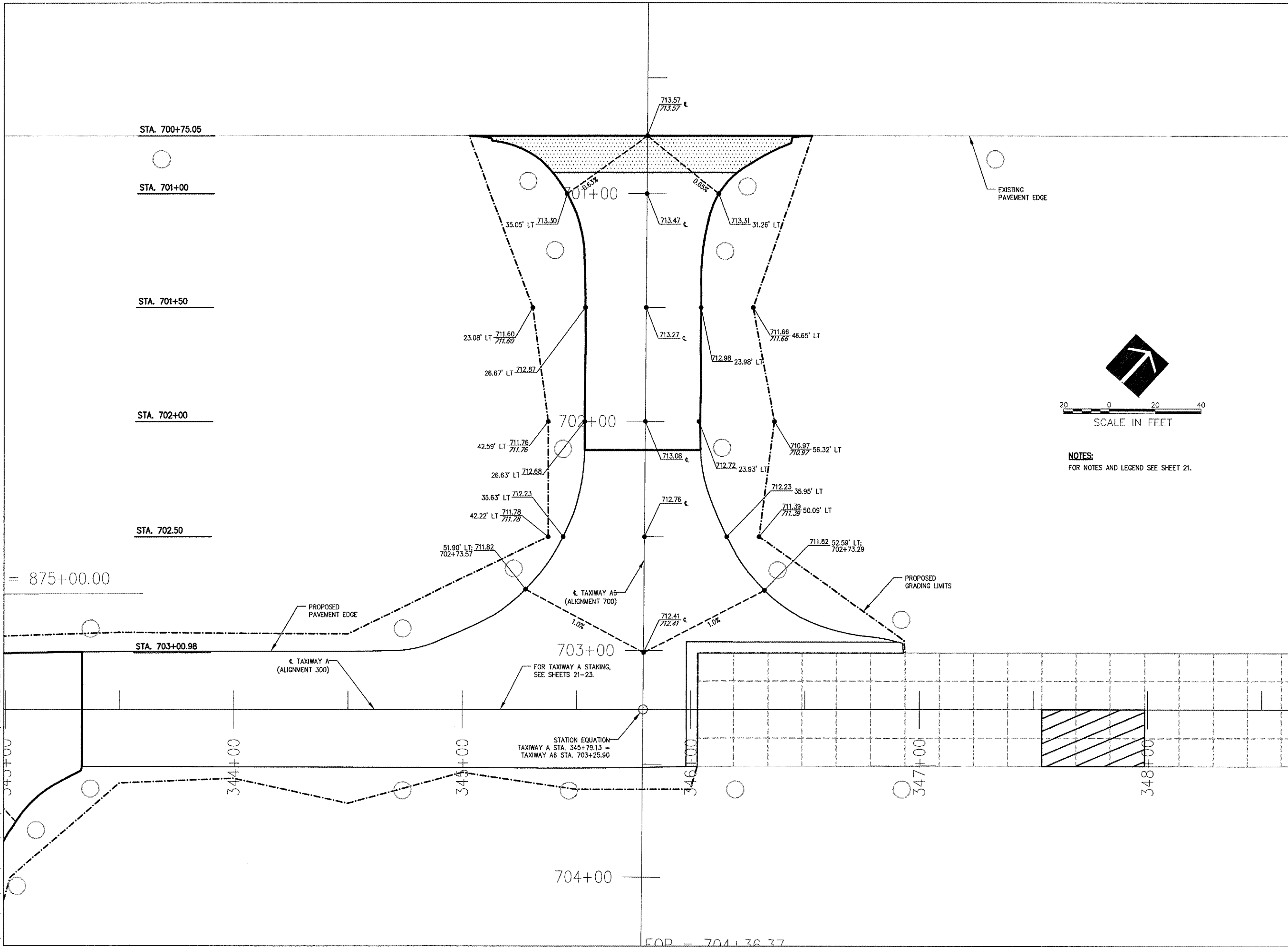
HANSON PROFESSIONAL SERVICES INC.
 815 Commerce Drive, Suite 200
 Oak Brook, Illinois 60523
 Telephone: 630.990.3800
 Fax: 630.990.3801

Illinois Professional Design Firm
 Registration No. 184-001084
 © Copyright Hanson Professional Service Inc. 2007

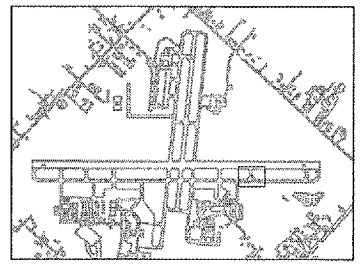


WAUKEGAN REGIONAL AIRPORT
 WAUKEGAN PORT DISTRICT
 3580 North McAree Road
 Waukegan, Illinois 60087
 Telephone: 847.244.0066
 Fax: 847.244.3813

WAUKEGAN REGIONAL AIRPORT
 REPAIR AND OVERLAY EAST
 PORTION OF TAXIWAY A
 WAUKEGAN, ILLINOIS



NOTES:
 FOR NOTES AND LEGEND SEE SHEET 21.



No.	Drawing Issue Description	Date	By

Date
 JUNE 8, 2007
 Sheet Title

**STAKING PLAN
 TAXIWAY A6**

Project Number	8310618012
LDH	04/04/07
LDH	04/04/07
LDH	06/08/07
LDH	

I:\G:\J05\10037\1061012\DRAWINGS\SHEETS\26-STAKING\2007\12.30PM.LDH

FOR = 704+36.37



HANSON PROFESSIONAL SERVICES INC.

815 Commerce Drive, Suite 200
Oak Brook, Illinois 60523
Telephone: 630.990.3800
Fax: 630.990.3801

Illinois Professional Design Firm
Registration No. 184-001084

© Copyright Hanson Professional Service Inc. 2007



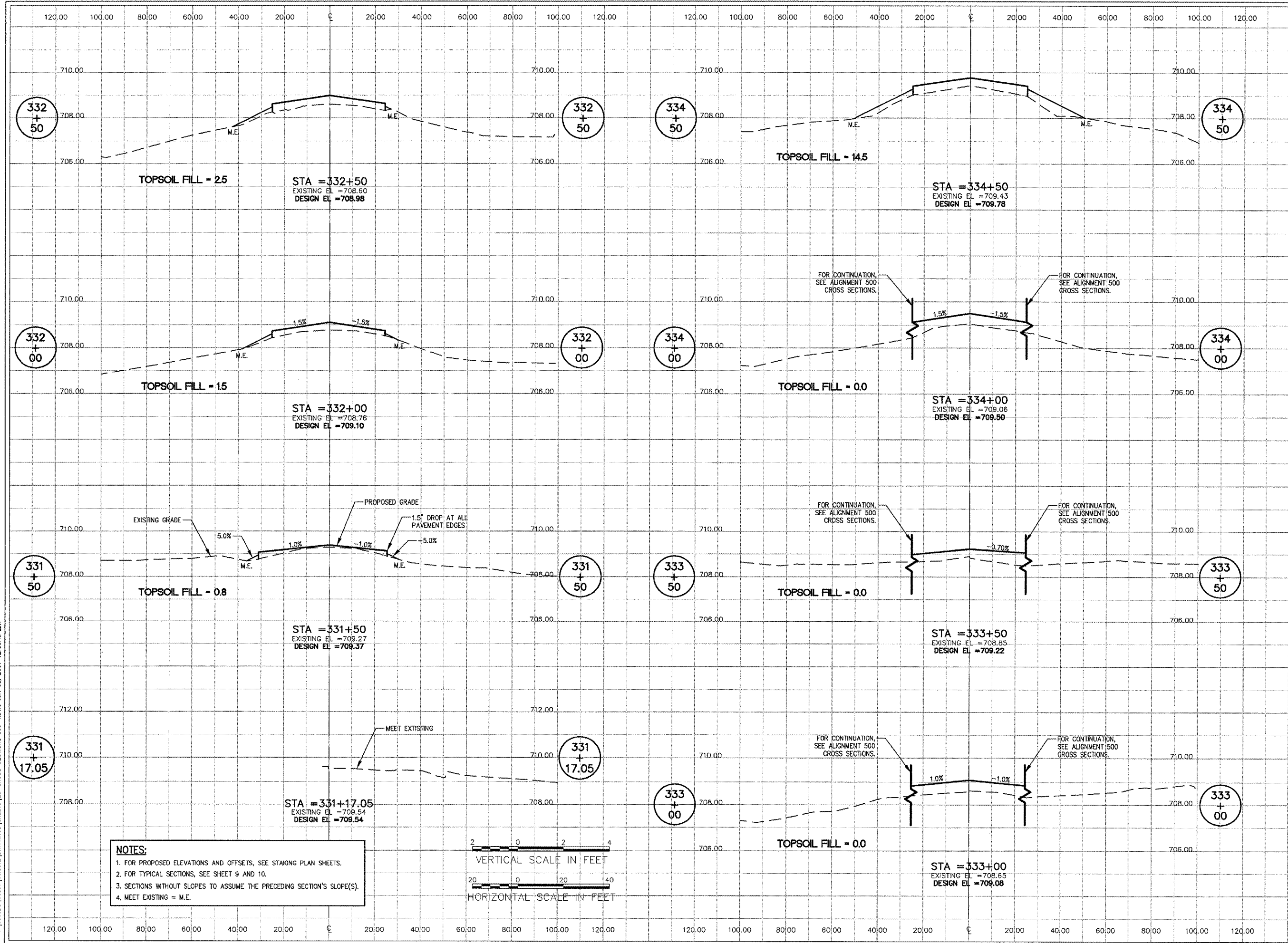
WAUKEGAN REGIONAL AIRPORT
WAUKEGAN PORT DISTRICT

3580 North McAre Road
Waukegan, Illinois 60087
Telephone: 847.244.0066
Fax: 847.244.3813

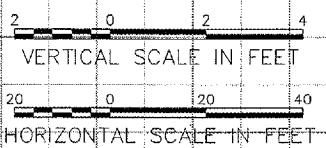
WAUKEGAN REGIONAL AIRPORT

REPAIR AND OVERLAY EAST
PORTION OF TAXIWAY A

WAUKEGAN, ILLINOIS



- NOTES:**
1. FOR PROPOSED ELEVATIONS AND OFFSETS, SEE STAKING PLAN SHEETS.
 2. FOR TYPICAL SECTIONS, SEE SHEET 9 AND 10.
 3. SECTIONS WITHOUT SLOPES TO ASSUME THE PRECEDING SECTION'S SLOPE(S).
 4. MEET EXISTING = M.E.



No.	Drawing Issue Description	Date	By

Date: JUNE 8, 2007
Sheet Title:

**CROSS SECTIONS
TAXIWAY A
STA. 331+17.05 THRU
STA. 334+50**

8310618012
Project Number
LDH 04/09/07
Layout By Date
LDH 04/09/07
Designed By Date
RMH 06/08/07
Reviewed By Date
LDH
Drawn By Sheet No.

P:\06\058\1002\1\06012\DRAWINGS\SHEETS\28-CROSS SECTIONS\310-1.DWG JUN 08 2007 12:33PM LDH



HANSON PROFESSIONAL SERVICES INC.

815 Commerce Drive, Suite 200
Oak Brook, Illinois 60523
Telephone: 630.990.3800
Fax: 630.990.3801

Illinois Professional Design Firm
Registration No. 184-001084

© Copyright Hanson Professional Service Inc. 2007



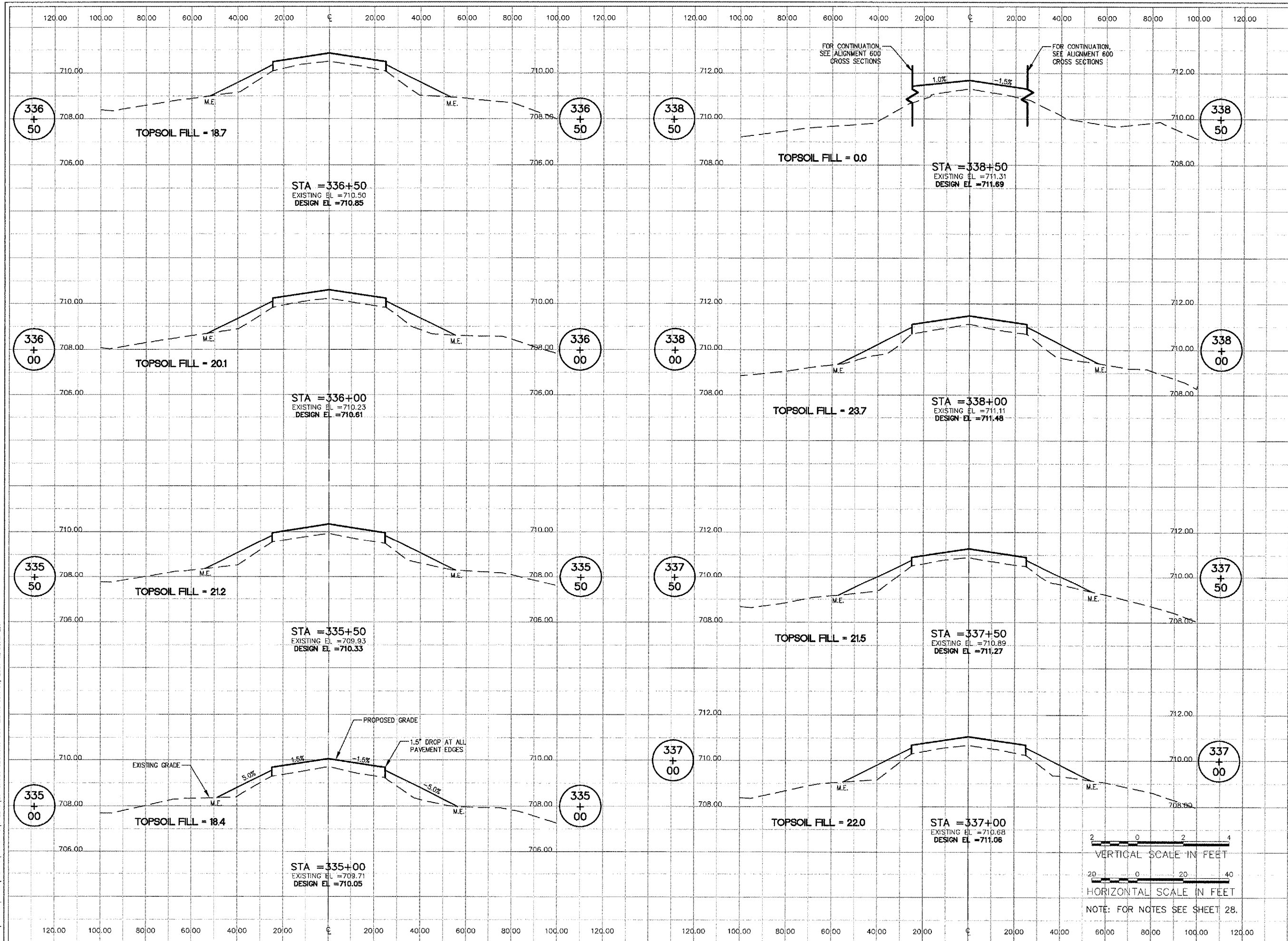
WAUKEGAN REGIONAL AIRPORT
WAUKEGAN PORT DISTRICT

3580 North McAree Road
Waukegan, Illinois 60087
Telephone: 847.244.0066
Fax: 847.244.3813

WAUKEGAN REGIONAL AIRPORT

REPAIR AND OVERLAY EAST
PORTION OF TAXIWAY A

WAUKEGAN, ILLINOIS



No.	Drawing Issue Description	Date	By

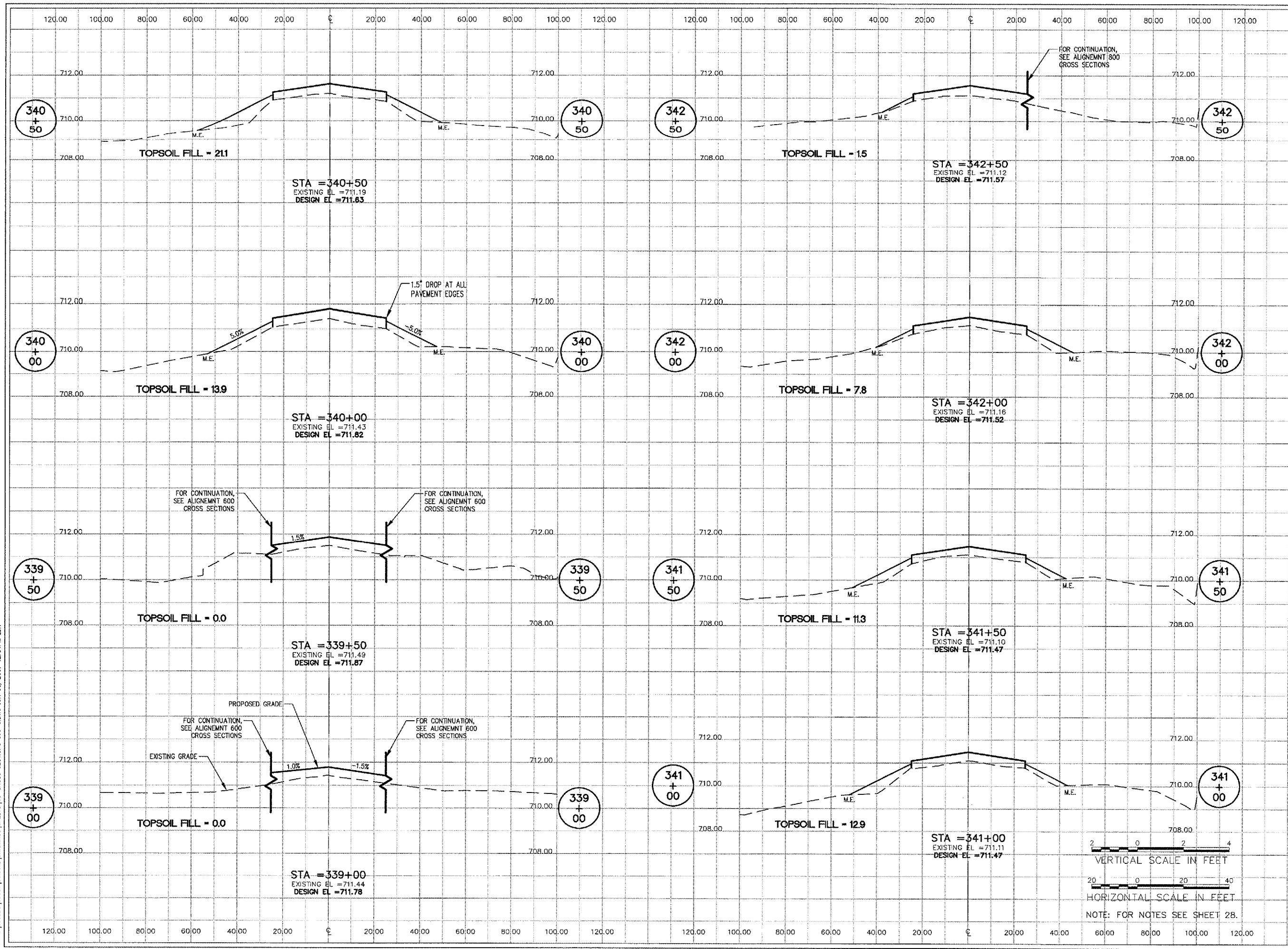
Date
JUNE 8, 2007

Sheet Title
CROSS SECTIONS TAXIWAY A STA. 335+00 THRU STA. 338+50

8310618012
Project Number
LDH 04/09/07
Layout By Date
LDH 04/09/07
Designed By Date
RMH 06/08/07
Reviewed By Date
LDH
Drawn By

I:\06\085\08037\0808012\DRAWINGS\SHEETS\29-CROSS SECTIONS 300-2.DWG JUN 08 2007 12:38PM LDH

P:\06\005\0053\0600\12\DRAWINGS\DWG\130-CROSS SECTIONS 300-3.LONG JUN 08, 2007 12:34PM LDH



WA058



HANSON
HANSON PROFESSIONAL SERVICES INC.
 815 Commerce Drive, Suite 200
 Oak Brook, Illinois 60523
 Telephone: 630.990.3800
 Fax: 630.990.3801
 Illinois Professional Design Firm
 Registration No. 184-001084
 © Copyright Hanson Professional Service Inc. 2007



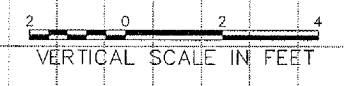
WAUKEGAN REGIONAL AIRPORT
WAUKEGAN PORT DISTRICT
 3580 North McAree Road
 Waukegan, Illinois 60087
 Telephone: 847.244.0066
 Fax: 847.244.3813

WAUKEGAN REGIONAL AIRPORT
REPAIR AND OVERLAY EAST PORTION OF TAXIWAY A
WAUKEGAN, ILLINOIS

No.	Drawing Issue Description	Date	By

Date **JUNE 8, 2007**
 Sheet Title

CROSS SECTIONS TAXIWAY A
STA. 339+00 THRU STA. 342+50



NOTE: FOR NOTES SEE SHEET 28.

8310618012
 Project Number
 LDH 04/09/07
 Layout By Date
 LDH 04/09/07
 Designed By Date
 RMH 06/08/07
 Reviewed By Date
 LDH
 Drawn By _____
 Sheet No.

30



HANSON PROFESSIONAL SERVICES INC.

815 Commerce Drive, Suite 200
Oak Brook, Illinois 60523
Telephone: 630.990.3800
Fax: 630.990.3801

Illinois Professional Design Firm
Registration No. 184-001084

© Copyright Hanson Professional Service Inc. 2007



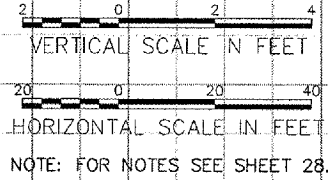
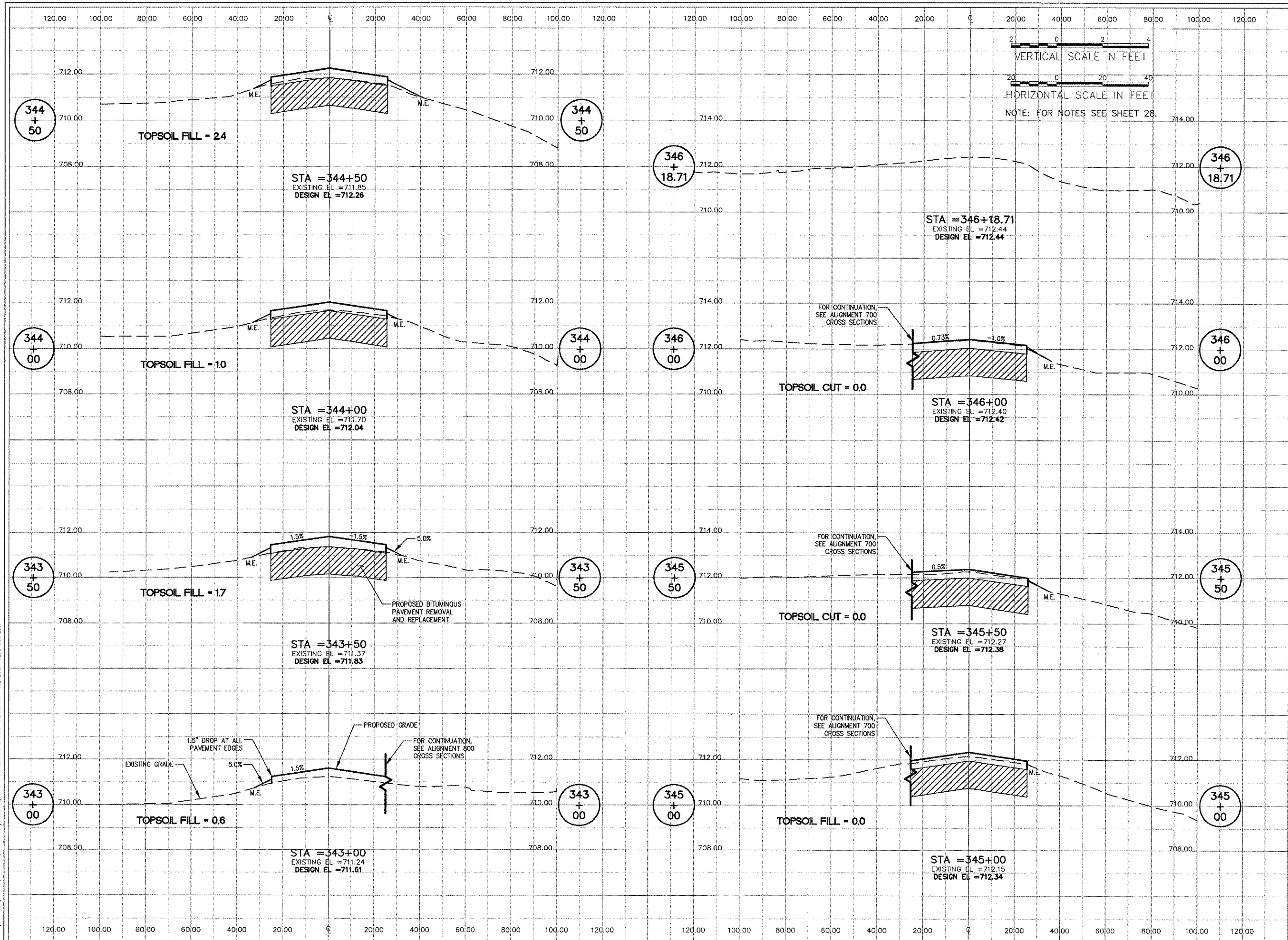
WAUKEGAN REGIONAL AIRPORT
WAUKEGAN PORT DISTRICT

3580 North McAre Road
Waukegan, Illinois 60087
Telephone: 847.244.0066
Fax: 847.244.3813

WAUKEGAN REGIONAL AIRPORT

REPAIR AND OVERLAY EAST
PORTION OF TAXIWAY A

WAUKEGAN, ILLINOIS



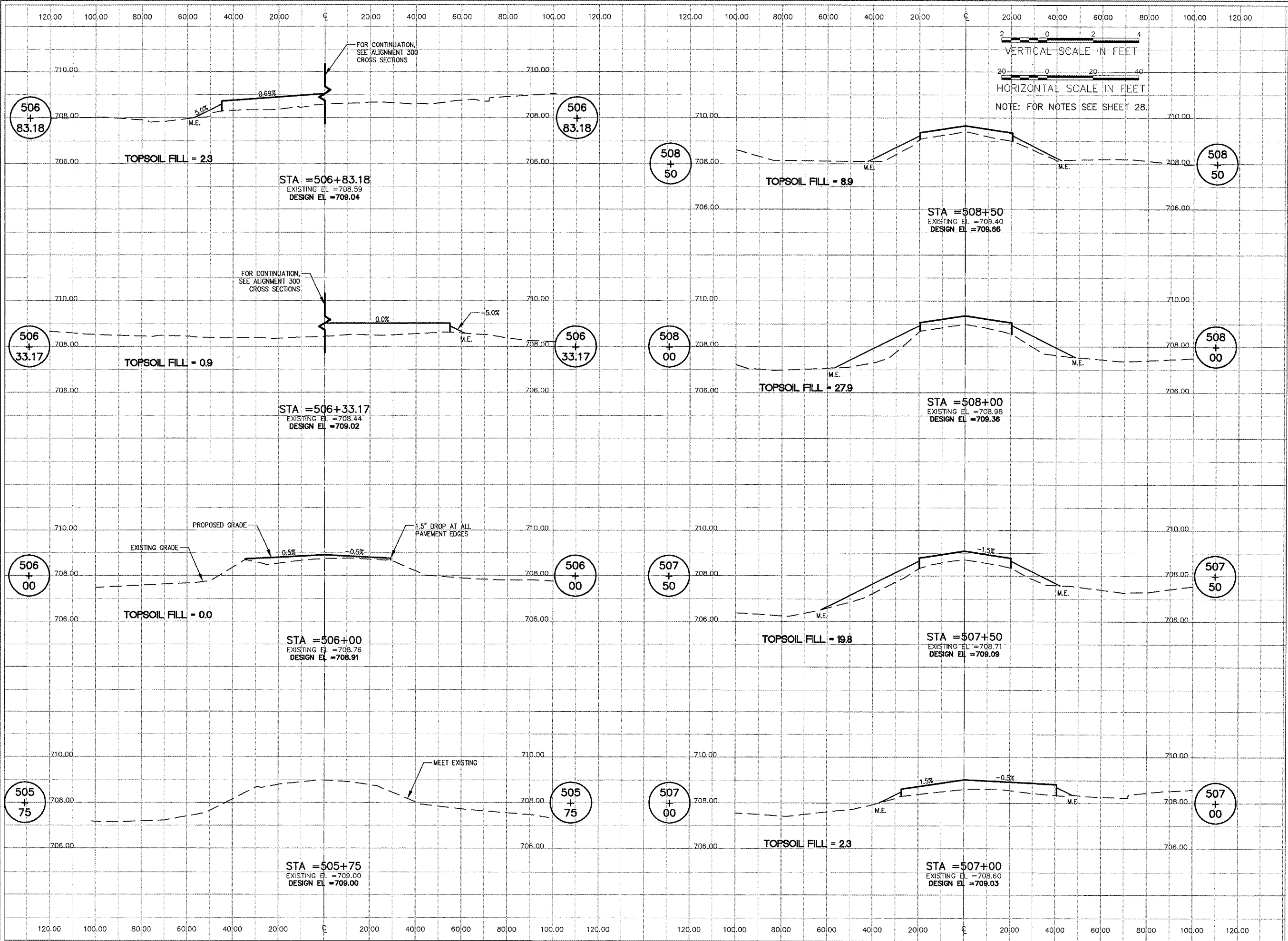
No.	Drawing Issue	Description	Date	By

Date: JUNE 8, 2007
Sheet Title:

CROSS SECTIONS
TAXIWAY A
STA. 343+00 THRU
STA. 346+18.71

8310618012
Project Number
LDH 04/09/07
Layout By Date
LDH 04/09/07
Designed By Date
RMH 06/08/07
Reviewed By Date
LDH
Drawn By
Sheet No.

I:\06\065\00631\060102\DRAWINGS\SHEETS\31-CROSS SECTIONS 300-4.DWG JUN 08, 2007 12:34PM LDH



HANSON PROFESSIONAL SERVICES INC.

815 Commerce Drive, Suite 200
Oak Brook, Illinois 60523
Telephone: 630.990.3800
Fax: 630.990.3801

Illinois Professional Design Firm
Registration No. 184-001084

© Copyright Hanson Professional Service Inc. 2007



WAUKEGAN REGIONAL AIRPORT
WAUKEGAN PORT DISTRICT

3580 North McAree Road
Waukegan, Illinois 60087
Telephone: 847.244.0066
Fax: 847.244.3813

WAUKEGAN REGIONAL AIRPORT
REPAIR AND OVERLAY EAST
PORTION OF TAXIWAY A
WAUKEGAN, ILLINOIS

No.	Drawing Issue Description	Date	By

Date
JUNE 8, 2007

Sheet Title
CROSS SECTIONS
TAXIWAY C
STA. 505+75 THRU
STA. 508+50

8310618012
Project Number
LDH 04/09/07
Layout By Date
LDH 04/09/07
Designed By Date
RMH 06/08/07
Reviewed By Date
LDH
Drawn By

I:\G:\JOBS\100871\DRAWINGS\2\DRWINGS\SHEETS\32-CROSS SECTIONS 500-LINE JUN 06 2007 12:38PM LDH



HANSON PROFESSIONAL SERVICES INC.

815 Commerce Drive, Suite 200
Oak Brook, Illinois 60523
Telephone: 630.990.3800
Fax: 630.990.3801

Illinois Professional Design Firm
Registration No. 184-001084

© Copyright Hanson Professional Service Inc. 2007



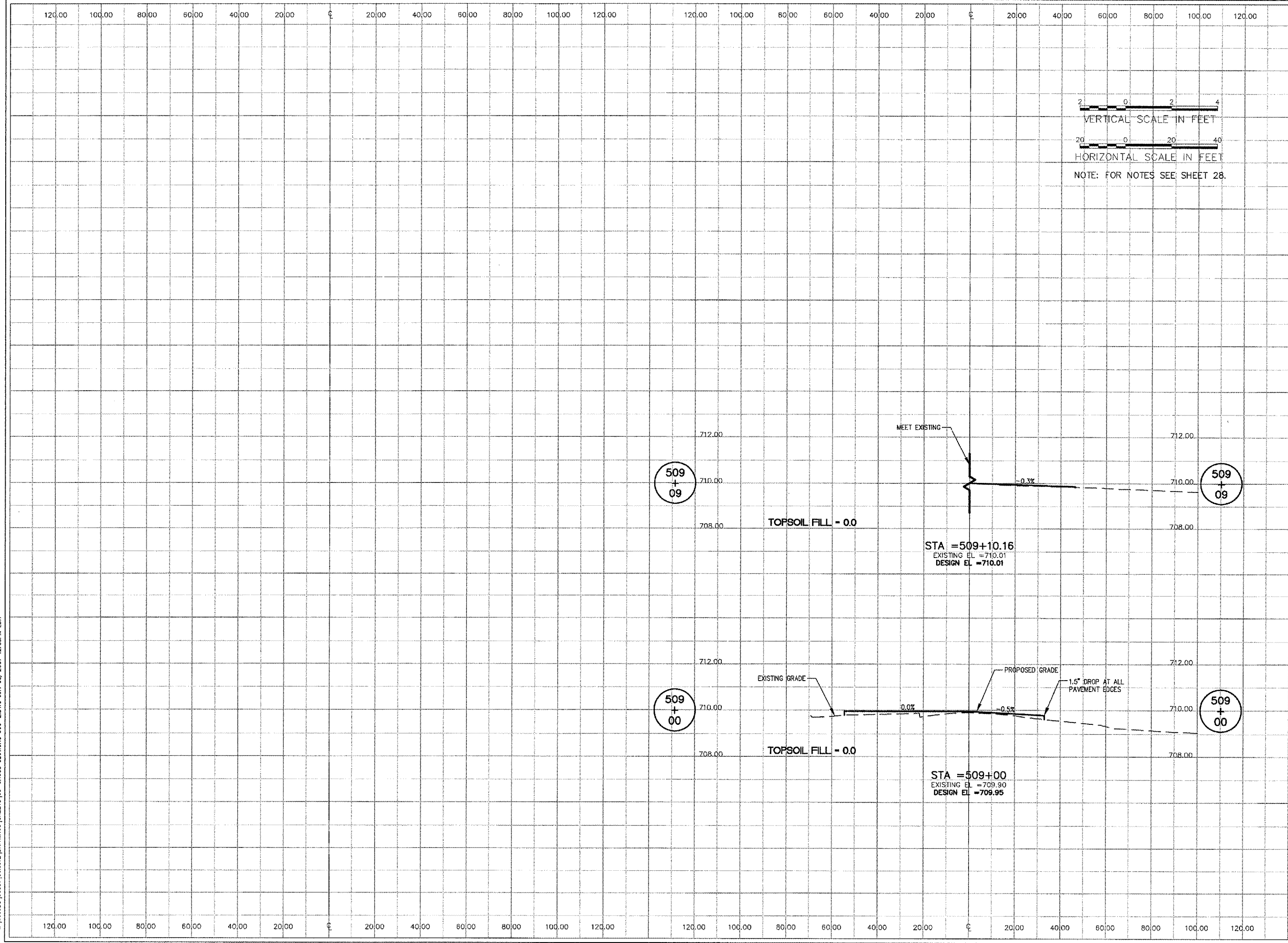
WAUKEGAN REGIONAL AIRPORT
WAUKEGAN PORT DISTRICT

3580 North McAree Road
Waukegan, Illinois 60087
Telephone: 847.244.0066
Fax: 847.244.3813

WAUKEGAN REGIONAL AIRPORT

REPAIR AND OVERLAY EAST
PORTION OF TAXIWAY A

WAUKEGAN, ILLINOIS



No.	Drawing Issue Description	Date	By

Date: JUNE 8, 2007

Sheet Title

CROSS SECTIONS
TAXIWAY C
STA. 509+00 THRU
STA. 509+09

8310618012
Project Number
LDH 04/09/07
Layout By Date
LDH 04/09/07
Designed By Date
RMH 06/08/07
Reviewed By Date
LDH
Drawn By

I:\06\065\00031\000012\DRAWINGS\SHEETS\3-CROSS SECTIONS 500-2.DWG JUN 08 2007 12:35PM LDH



HANSON PROFESSIONAL SERVICES INC.

815 Commerce Drive, Suite 200
Oak Brook, Illinois 60523
Telephone: 630.990.3800
Fax: 630.990.3801

Illinois Professional Design Firm
Registration No. 184-001084

© Copyright Hanson Professional Service Inc. 2007



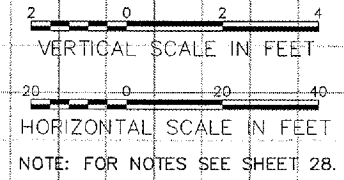
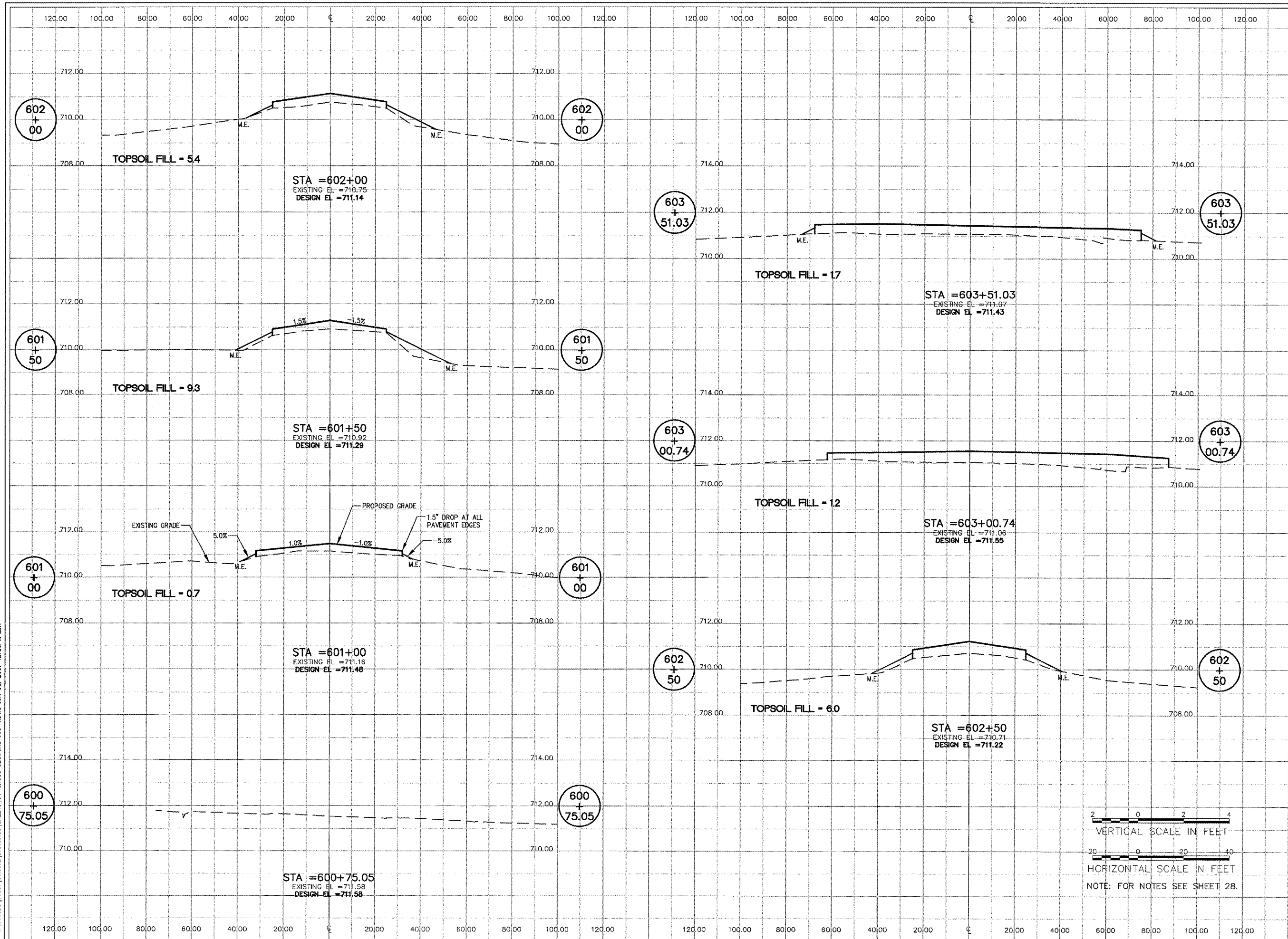
WAUKEGAN REGIONAL AIRPORT
WAUKEGAN PORT DISTRICT

3580 North McAree Road
Waukegan, Illinois 60087
Telephone: 847.244.0066
Fax: 847.244.3813

WAUKEGAN REGIONAL AIRPORT

REPAIR AND OVERLAY EAST
PORTION OF TAXIWAY A

WAUKEGAN, ILLINOIS



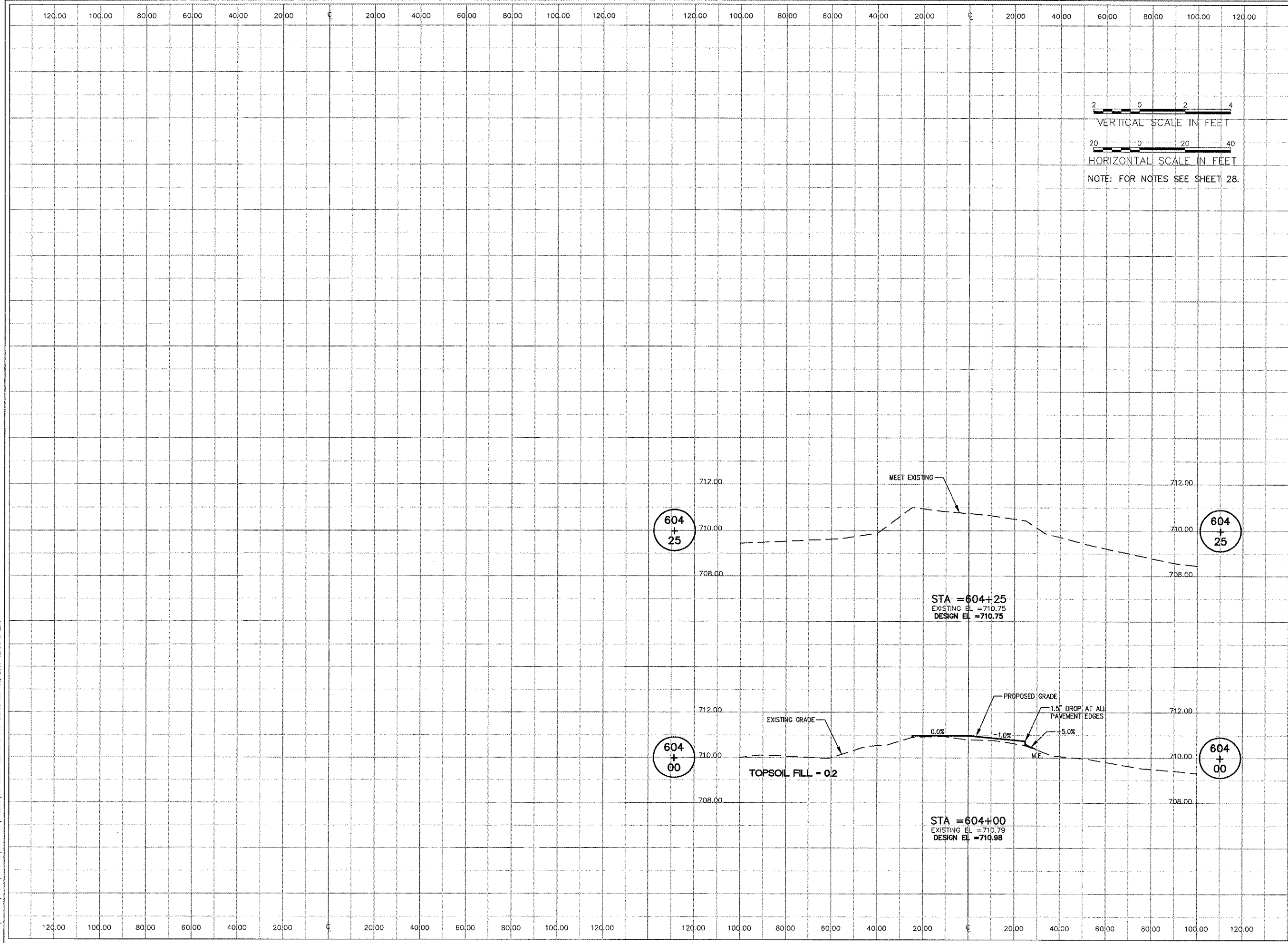
No.	Drawing Issue Description	Date	By

Date
JUNE 8, 2007

Sheet Title
CROSS SECTIONS
TAXIWAY A5/E3
STA. 600+75.05 THRU
STA. 601+51.03

8310618012
Project Number
LDH 04/11/07
Layout By Date
LDH 04/11/07
Designed By Date
RMH 06/08/07
Reviewed By Date
LDH
Drawn By

4. (D:\PROJECTS\06071\06071\DRAWINGS\SHEETS\A-CROSS SECTIONS\600-LDING\JUN 08, 2007 12:36PM LDH



WA058



HANSON PROFESSIONAL SERVICES INC.

815 Commerce Drive, Suite 200
Oak Brook, Illinois 60523
Telephone: 630.990.3800
Fax: 630.990.3801

Illinois Professional Design Firm
Registration No. 184-001084

© Copyright Hanson Professional Service Inc. 2007



WAUKEGAN REGIONAL AIRPORT
WAUKEGAN PORT DISTRICT

3580 North McAree Road
Waukegan, Illinois 60087
Telephone: 847.244.0066
Fax: 847.244.3813

WAUKEGAN REGIONAL AIRPORT

REPAIR AND OVERLAY EAST
PORTION OF TAXIWAY A

WAUKEGAN, ILLINOIS

No.	Drawing Issue Description	Date	By

Date
JUNE 8, 2007

Sheet Title
CROSS SECTIONS
TAXIWAY A5/E3
STA. 604+00 THRU
STA. 604+25

8310618012
Project Number
LDH 04/11/07
Layout By Date
LDH 04/11/07
Designed By Date
RMH 06/08/07
Reviewed By Date
LDH
Drawn By

I:\06\065\00031\000012\DRAWINGS\SHEETS\35-CROSS SECTIONS 600-2.DWG JUN 08 2007 12:36PM LDH



HANSON PROFESSIONAL SERVICES INC.

815 Commerce Drive, Suite 200
Oak Brook, Illinois 60523
Telephone: 630.990.3800
Fax: 630.990.3801

Illinois Professional Design Firm
Registration No. 184-001084

© Copyright Hanson Professional Service Inc. 2007



WAUKEGAN REGIONAL AIRPORT
WAUKEGAN PORT DISTRICT

3580 North McAre Road
Waukegan, Illinois 60087
Telephone: 847.244.0066
Fax: 847.244.3813

WAUKEGAN REGIONAL AIRPORT

REPAIR AND OVERLAY EAST
PORTION OF TAXIWAY A

WAUKEGAN, ILLINOIS

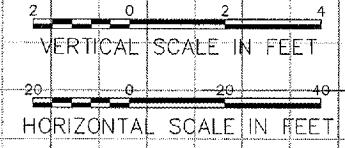
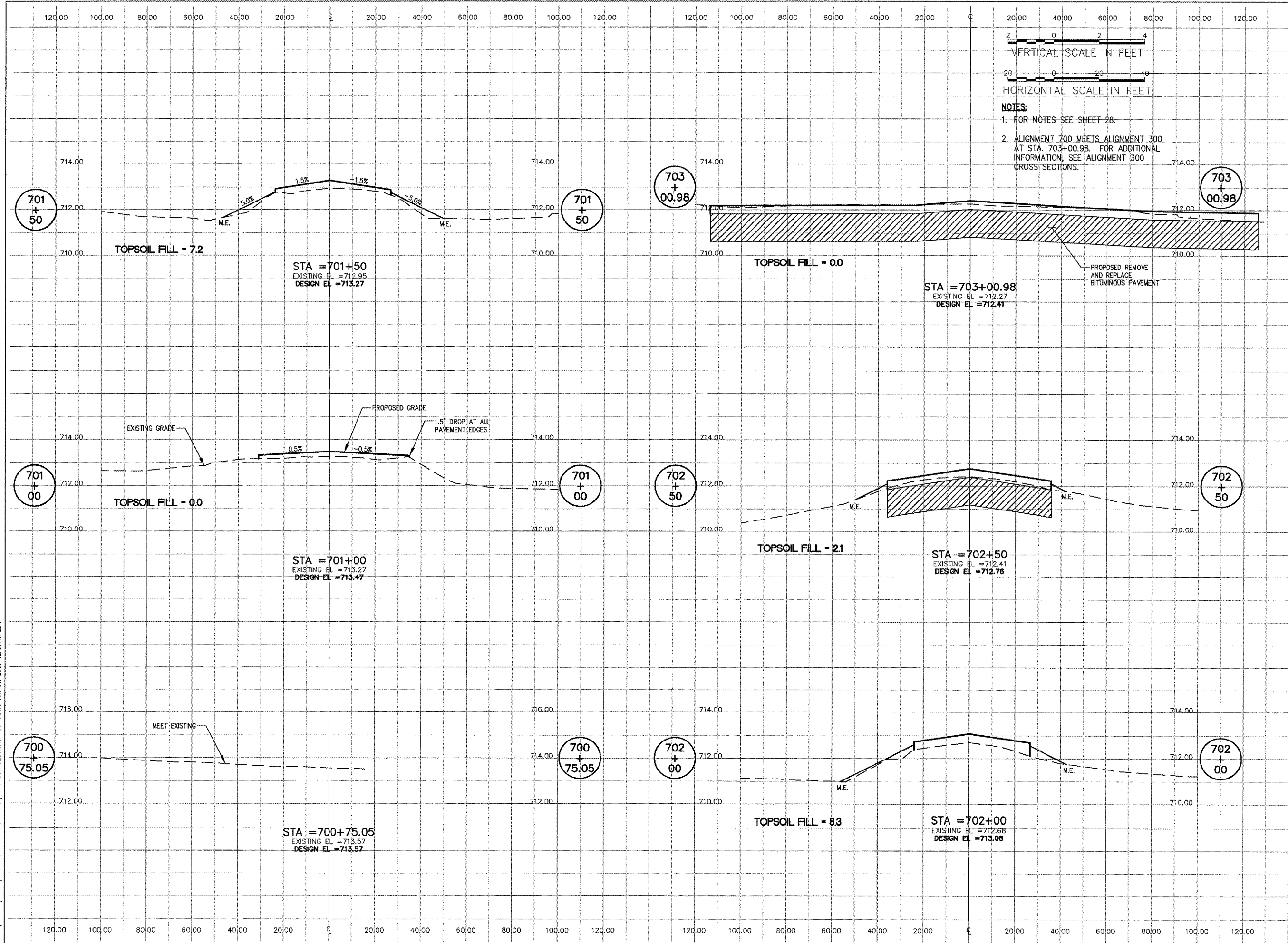
No.	Drawing Issue Description	Date	By

Date
JUNE 8, 2007
Sheet Title

CROSS SECTIONS
TAXIWAY A6
STA. 700+75.05 THRU
STA. 703+00.98

8310618012

Project Number	
LDH	04/11/07
Layout By	Date
LDH	04/11/07
Designed By	Date
RMH	06/08/07
Reviewed By	Date
LDH	
Drawn By	



NOTES:

- FOR NOTES SEE SHEET 28.
- ALIGNMENT 700 MEETS ALIGNMENT 300 AT STA. 703+00.98. FOR ADDITIONAL INFORMATION, SEE ALIGNMENT 300 CROSS SECTIONS.

A: 100.0000 [04/11/07] 10:00:00 AM 2007-06-08 12:37PM LDH



HANSON PROFESSIONAL SERVICES INC.
 815 Commerce Drive, Suite 200
 Oak Brook, Illinois 60523
 Telephone: 630.990.3800
 Fax: 630.990.3801

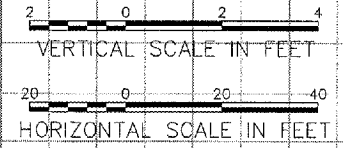
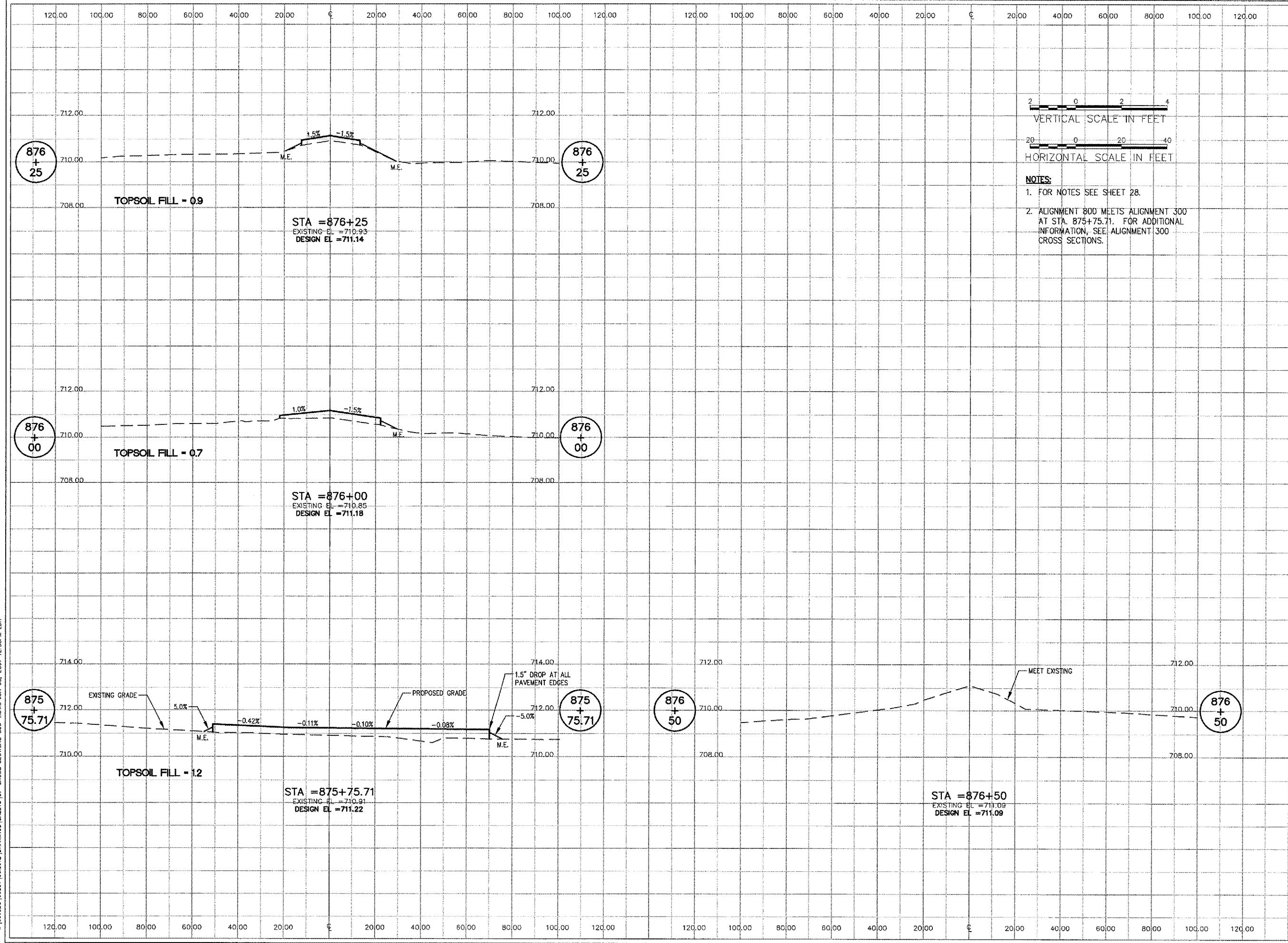
Illinois Professional Design Firm
 Registration No. 184-001084

© Copyright Hanson Professional Service Inc. 2007



WAUKEGAN REGIONAL AIRPORT
 WAUKEGAN PORT DISTRICT
 3580 North McAree Road
 Waukegan, Illinois 60087
 Telephone: 847.244.0066
 Fax: 847.244.3813

WAUKEGAN REGIONAL AIRPORT
 REPAIR AND OVERLAY EAST
 PORTION OF TAXIWAY A
 WAUKEGAN, ILLINOIS



- NOTES:**
- FOR NOTES SEE SHEET 28.
 - ALIGNMENT 800 MEETS ALIGNMENT 300 AT STA. 875+75.71. FOR ADDITIONAL INFORMATION, SEE ALIGNMENT 300 CROSS SECTIONS.

No.	Drawing Issue Description	Date	By

Date: JUNE 8, 2007
 Sheet Title:

**CROSS SECTIONS
 TAXIWAY E4
 STA. 875+75.71 THRU
 STA. 876+50**

8310618012
 Project Number
 Layout By: LDH Date: 04/11/07
 Design By: LDH Date: 04/11/07
 Reviewed By: RMH Date: 06/08/07
 Drawn By: LDH

I:\06\095\100871\008012\DRAWINGS\SHEETS\37-CROSS SECTIONS\800-1.LDW JUN 08, 2007 12:38PM LDH



HANSON PROFESSIONAL SERVICES INC.

815 Commerce Drive, Suite 200
Oak Brook, Illinois 60523
Telephone: 630.990.3800
Fax: 630.990.3801

Illinois Professional Design Firm
Registration No. 184-001084

© Copyright Hanson Professional Service Inc. 2007



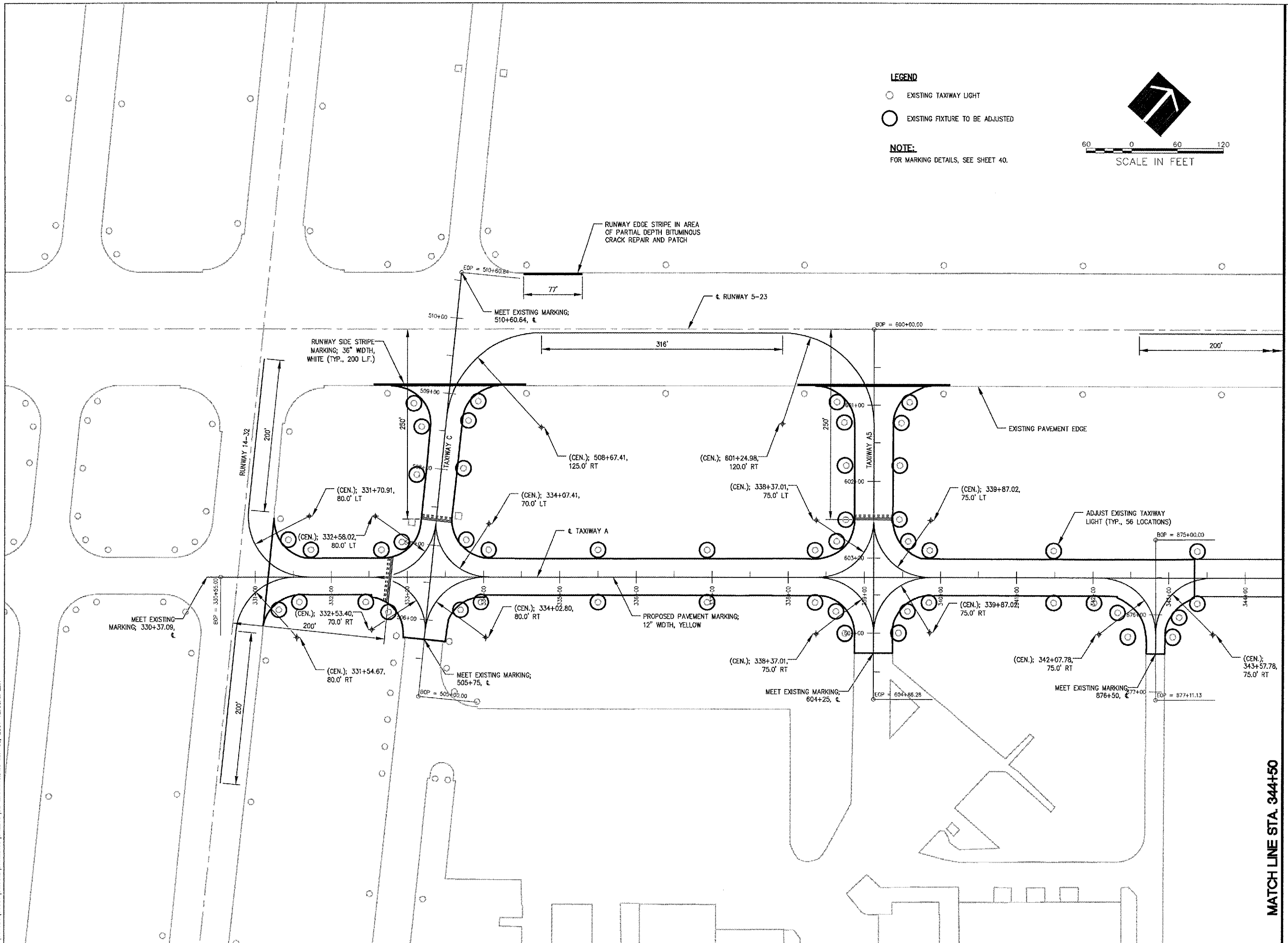
WAUKEGAN REGIONAL AIRPORT
WAUKEGAN PORT DISTRICT

3580 North McAree Road
Waukegan, Illinois 60087
Telephone: 847.244.0066
Fax: 847.244.3813

WAUKEGAN REGIONAL AIRPORT

**REPAIR AND OVERLAY EAST
PORTION OF TAXIWAY A**

WAUKEGAN, ILLINOIS

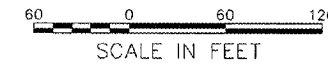


LEGEND

- EXISTING TAXIWAY LIGHT
- EXISTING FIXTURE TO BE ADJUSTED

NOTE:

FOR MARKING DETAILS, SEE SHEET 40.



MATCH LINE STA. 344+50

No.	Drawing Issue	Description	Date	By

Date

JUNE 8, 2007

Sheet Title

**LIGHT ADJUSTMENT
AND MARKING PLAN**

8310618012	
Project Number	
LDH	03/22/07
Layout By	Date
LDH	03/22/07
Designed By	Date
RMH	06/08/07
Reviewed By	Date
LDH	-----
Drawn By	Sheet No.

38

4: [06:00:31] 06/08/07 12:30PM LDH



HANSON PROFESSIONAL SERVICES INC.

815 Commerce Drive, Suite 200
Oak Brook, Illinois 60523
Telephone: 630.990.3800
Fax: 630.990.3801

Illinois Professional Design Firm
Registration No. 184-001084

© Copyright Hanson Professional Service Inc. 2007



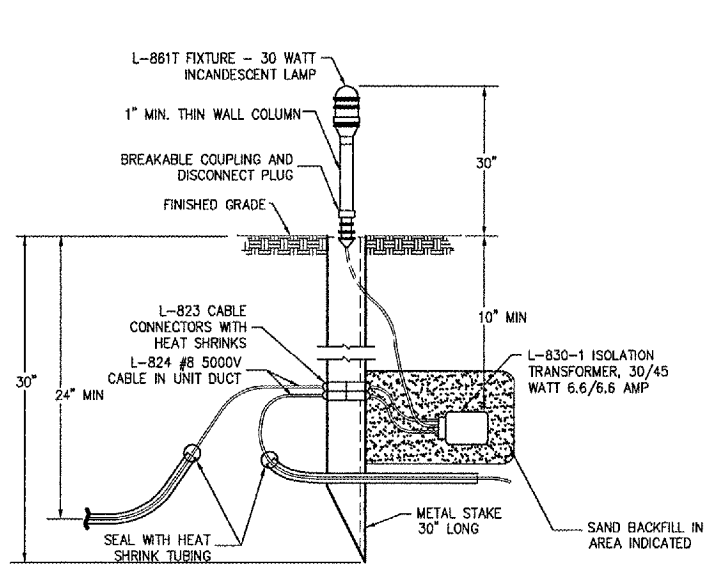
WAUKEGAN REGIONAL AIRPORT
WAUKEGAN PORT DISTRICT

3580 North McAree Road
Waukegan, Illinois 60087
Telephone: 847.244.0066
Fax: 847.244.3813

WAUKEGAN REGIONAL AIRPORT

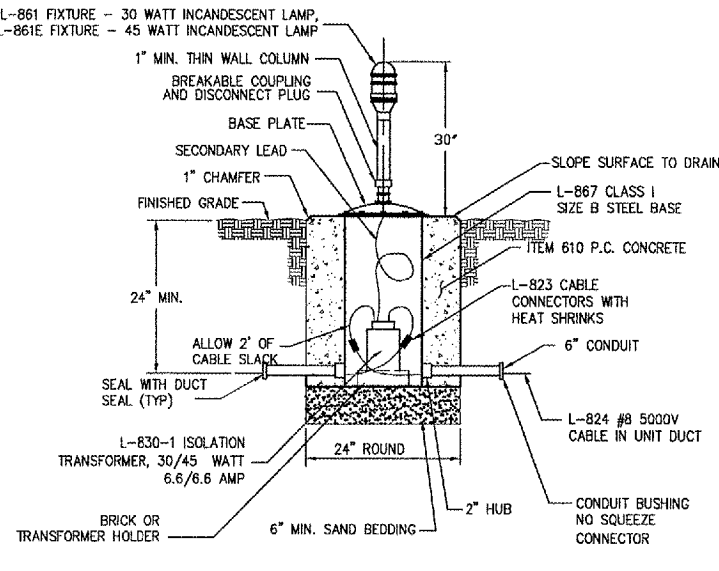
REPAIR AND OVERLAY EAST
PORTION OF TAXIWAY A

WAUKEGAN, ILLINOIS



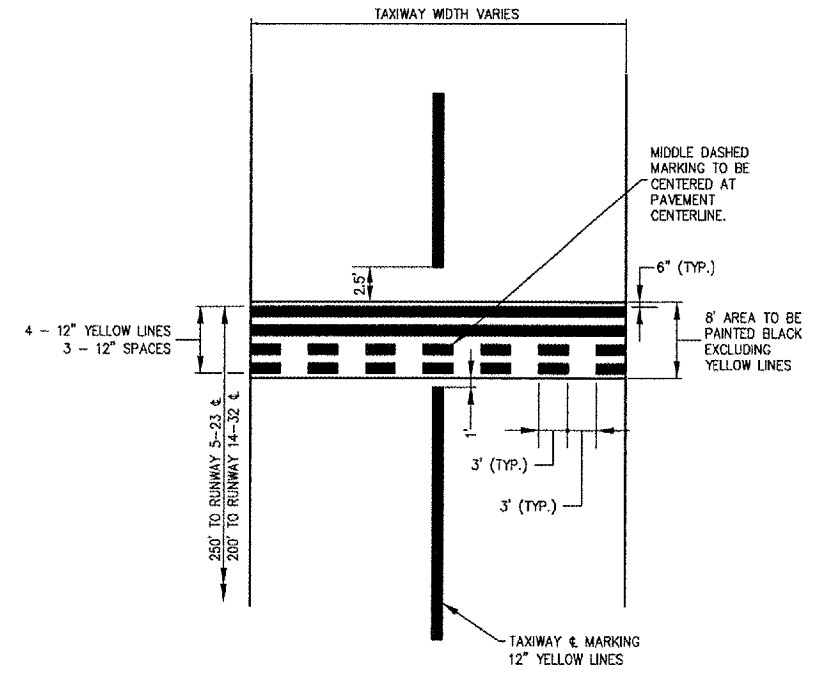
1. BREAKABLE COUPLING SHALL NOT BE OVER 1" ABOVE BASE PLATE.
2. TWO FEET OF SLACK CABLE IS TO BE LEFT AT EACH LIGHT. SLACK IS TO BE ON THE CABLE SIDE OF PRIMARY CONNECTORS AND SPLICES AND IS TO BE INCIDENTAL TO THE CABLE.
3. SEE SPECIAL PROVISIONS FOR ADDITIONAL REQUIREMENTS.

EXISTING STAKE - MOUNTED LIGHT
L-861T



1. BREAKABLE COUPLING SHALL NOT BE OVER 1" ABOVE BASE PLATE.
2. TWO FEET OF SLACK CABLE IS TO BE LEFT AT EACH LIGHT. SLACK IS TO BE ON THE CABLE SIDE OF PRIMARY CONNECTORS AND SPLICES AND IS TO BE INCIDENTAL TO THE CABLE.
3. SEE SPECIAL PROVISIONS FOR ADDITIONAL REQUIREMENTS.

EXISTING BASE - MOUNTED LIGHT
L-861T



- NOTES:**
1. HOLDING POSITION MARKINGS TO BE YELLOW, WATERBORNE WITH REFLECTIVE BEADS AND PAID UNDER ITEM AR620520.
 2. HOLDING POSITION MARKINGS TO HAVE BLACK BORDER AND PAID UNDER ITEM AR620525.

HOLDING POSITION MARKING

No.	Drawing Issue	Description	Date	By

Date

JUNE 8, 2007

Sheet Title

LIGHT ADJUSTMENT AND MARKING DETAILS

Project Number	8310618012
Layout By	LDH 03/14/07
Design By	LDH 03/14/07
Reviewed By	RMH 06/08/07
Drawn By	LDH

I:\06-0805\060831\0608012\DRAWINGS\SHEETS\40-MARKING DETAILS.DWG JUN 08 2007 12:39PM LDH