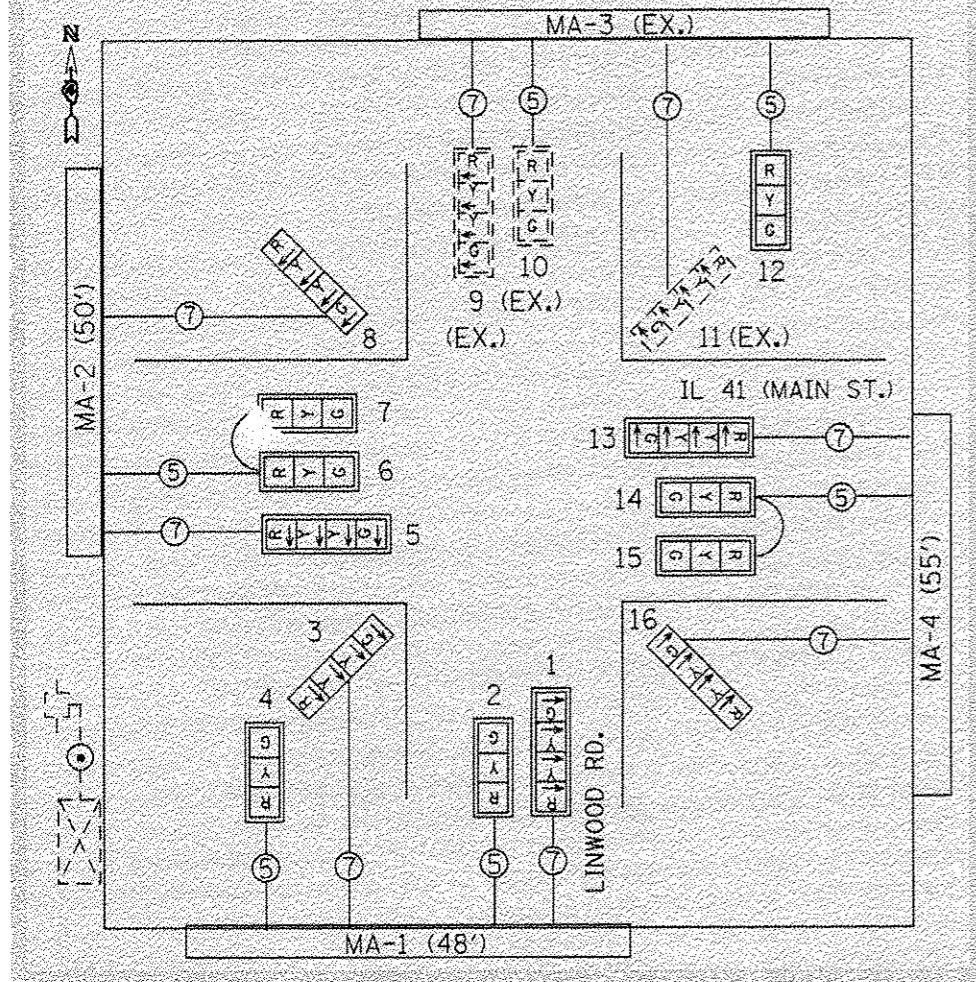
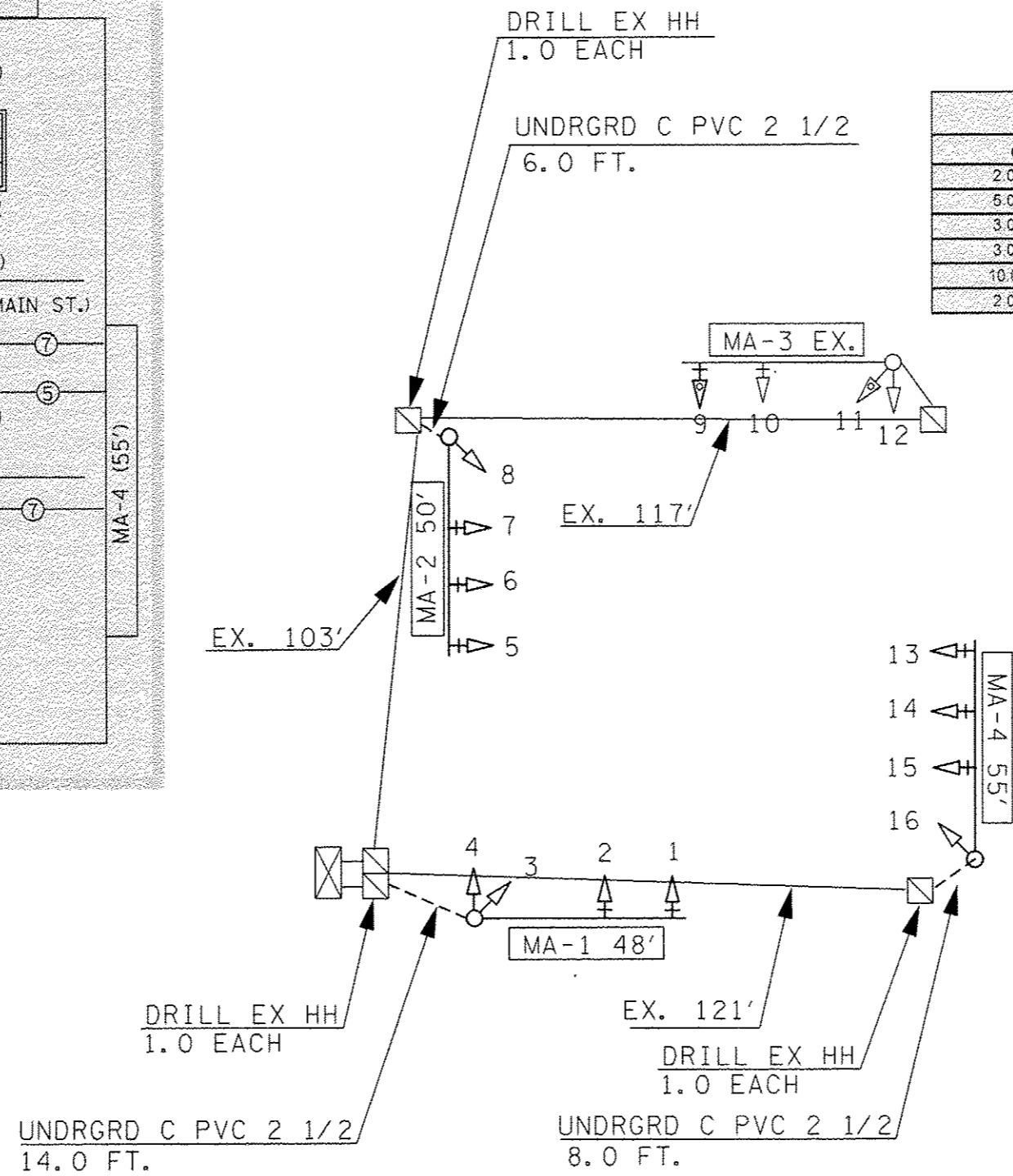


PROPOSED CABLE DIAGRAM



MAST ARM SCHEDULE		
DESIG	LOCATION	TYPE
MA-1	SOUTHWEST QUADRANT	STEEL MAST ARM ASSEMBLY AND POLE, 48 FT.
MA-2	NORTHWEST QUADRANT	STEEL MAST ARM ASSEMBLY AND POLE, 50 FT.
MA-3	NORTHEAST QUADRANT	EXISTING MAST ARM
MA-4	SOUTHEAST QUADRANT	STEEL MAST ARM ASSEMBLY AND POLE, 55 FT.

TRAFFIC SIGNAL HEAD SCHEDULE		
QTY.	TYPE	LOCATION
2.0 EACH	SH LED 1F 3S BM	4, 12
5.0 EACH	SH LED 1F 3S MAM	2, 6, 7, 14, 15
3.0 EACH	SH LED 1F 4S BM	3, 8, 16
3.0 EACH	SH LED 1F 4S MAM	1, 5, 13
10.0 EACH	TS BACKPLATE LOU PLAS	1, 2, 4, 5, 6, 7, 12, 13, 14, 15
2.0 EACH	REBUILD EX SIG HD LED	9 (EX 5-SECTION), 11 (EX 5-SECTION)



IL 41 (MAIN ST.)

TRAFFIC SIGNAL LEGEND	
	EX. HANDHOLE
	EX. CONDUIT
	EX. TRAFFIC SIGNAL CONTROLLER
	EX. TRAFFIC SIGNAL HEAD
	EX. SIGNAL HEAD (REBUILT)
	PROP. SIGNAL HEAD
	PROP. CONDUIT

IL 41 (MAIN ST.) & LINWOOD - BILL OF MATERIALS		
SIGN PANEL - TYPE 1	SQ FT	20.0
UNDERGROUND CONDUIT, PVC, 2 1/2" DIA	FOOT	28.0
ELECTRIC CABLE IN CONDUIT, SIGNAL NO. 14 5C	FOOT	1150.0
ELECTRIC CABLE IN CONDUIT, SIGNAL NO. 14 7C	FOOT	1537.0
STEEL MAST ARM ASSEMBLY AND POLE, 48 FT	EACH	1.0
STEEL MAST ARM ASSEMBLY AND POLE, 50 FT.	EACH	1.0
STEEL MAST ARM ASSEMBLY AND POLE, 55 FT.	EACH	1.0
CONCRETE FOUNDATION, TYPE E 36-INCH DIAMETER	FOOT	41.0
DRILL EXISTING HANDHOLE	EACH	3.0
SIGNAL HEAD, LED, 1-FACE, 3-SECTION, MAST ARM MOUNTED	EACH	5.0
SIGNAL HEAD, LED, 1-FACE, 3-SECTION, BRACKET MOUNTED	EACH	2.0
SIGNAL HEAD, LED, 1-FACE, 4-SECTION, BRACKET MOUNTED	EACH	3.0
SIGNAL HEAD, LED, 1-FACE, 4-SECTION, MAST ARM MOUNTED	EACH	3.0
TRAFFIC SIGNAL BACKPLATE, LOUVERED, PLASTIC	EACH	10.0
REBUILD EXISTING SIGNAL HEAD, LED	EACH	2.0
MODIFY EXISTING CONTROLLER CABINET	EACH	1.0
REMOVE EXISTING TRAFFIC SIGNAL EQUIPMENT	EACH	1.0