

**FRONT VIEW**

**FRONT VIEW**

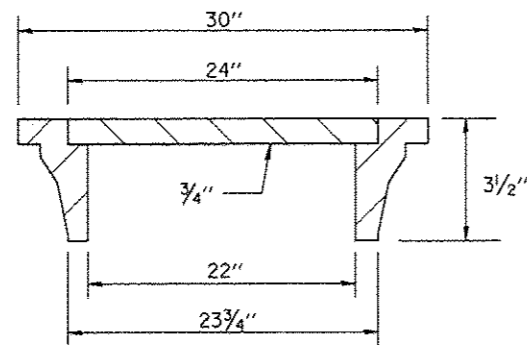
SEE STANDARD 602701 FOR DETAILS OF STEPS.

1" PREFORMED EXPANSION JOINTS AS SHOWN SHALL BE PROVIDED ON EACH SIDE OF INLET.

CLASS SI CONCRETE OR PRECAST CONCRETE SHALL BE USED THROUGHOUT.

THE SIDE WALLS MAY BE BUILT AS PRECAST SEGMENTAL SECTIONS.

**LIGHT WEIGHT MANHOLE CASTING**



TOTAL WEIGHT 160 LBS.

STEPS AT 12 TO 16 CTS.  
 \* THE WALL ADJUSTMENTS SHALL BE MADE WITH CONCRETE BUILDING BRICK OR CLASS SI CONCRETE.  
 THE HEIGHT OF THE BOX MAY BE CONSTRUCTED 6 SHORT TO ALLOW FOR FIELD ADJUSTMENTS.

**NOTES**

STEPS SHALL BE OMITTED WHEN DEPTH OF INLET IS LESS THAN 5 FOOT.

THE INLET SHALL BE CAST IN PLACE OR PRECAST.

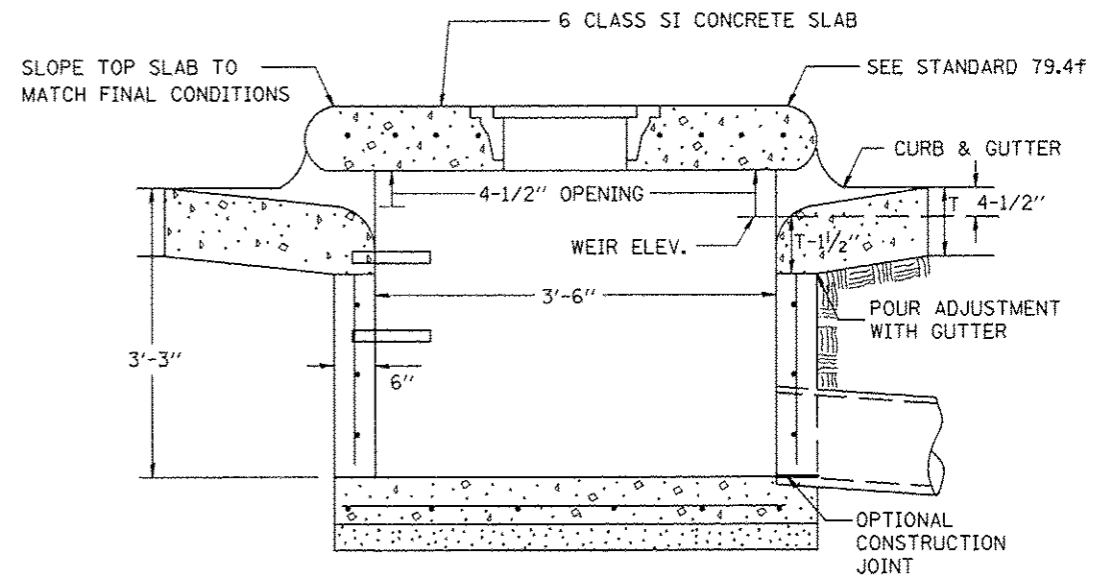
EXCEPT AS NOTED HEREON INLET SPECIAL SHALL BE CONSTRUCTED IN ACCORDANCE WITH SECTION 602 OF THE STANDARD SPECIFICATIONS.

THE CONTRACT UNIT PRICE EACH FOR INLET SPECIAL SHALL INCLUDE THE COST OF FURNISHING AND INSTALLING THE FRAME, LID, REINFORCEMENT BARS, FLOOR AND TOP SLABS, CAST IRON STEPS (IF USED).

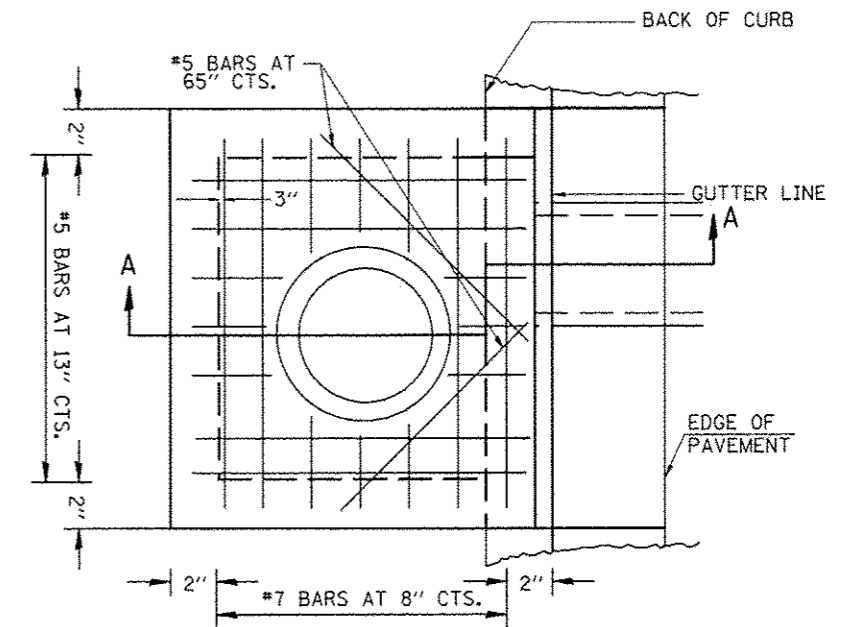
THE CURB AND GUTTER WILL BE PAID FOR SEPARATELY AND WILL BE MEASURED THROUGH THE INLET.

THE CURB AND GUTTER ADJACENT TO AND 4'-6" ON EITHER SIDE OF THE INLET SHALL BE CONSTRUCTED AS SHOWN WITH NO ADDITIONAL COMPENSATION FOR THE TRANSITION.

ALL PIPE UNDERDRAIN CONNECTIONS WHEN SPECIFIED SHALL BE DONE IN ACCORDANCE WITH ART. 601 OF THE STANDARD SPECIFICATIONS. THIS WORK WILL BE PAID FOR AT THE CONTRACT UNIT PRICE PER (FOOT) FOR PIPE UNDERDRAINS (SPECIAL) OF THE DIAMETER SPECIFIED WHICH PRICE SHALL INCLUDE THE CA 7 OR CA 16 AND THE CONNECTION TO THE INLET.



**SECTION A-A**



**TOP VIEW**

ALL DIMENSIONS ARE IN INCHES UNLESS OTHERWISE NOTED.

<b>STATE OF ILLINOIS DEPARTMENT OF TRANSPORTATION</b>				<b>INLETS, SPECIAL</b>		NOT TO SCALE		79.4a	
F.A.U. RTE.	SECTION	COUNTY	TOTAL SHEETS	SHEET NO.					
5791	D4 FYA 2012	KNOX	22	24					
			CONTRACT NO. 68A98						
FED. ROAD DIST. NO.		[ILLINOIS] FED. AID PROJECT							