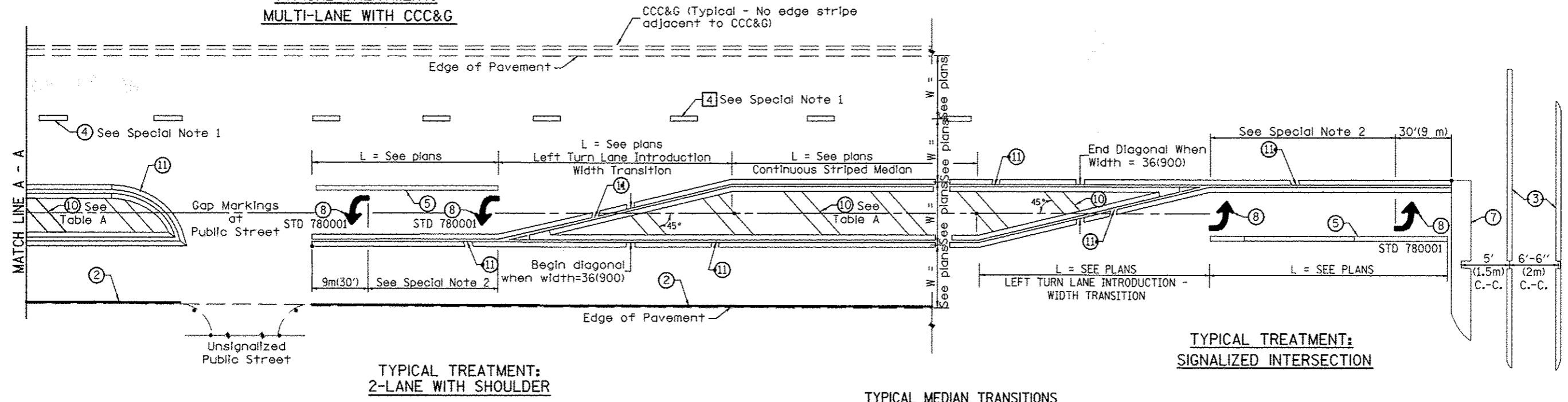


**TYPICAL TREATMENT:  
MULTI-LANE WITH CCC&G**

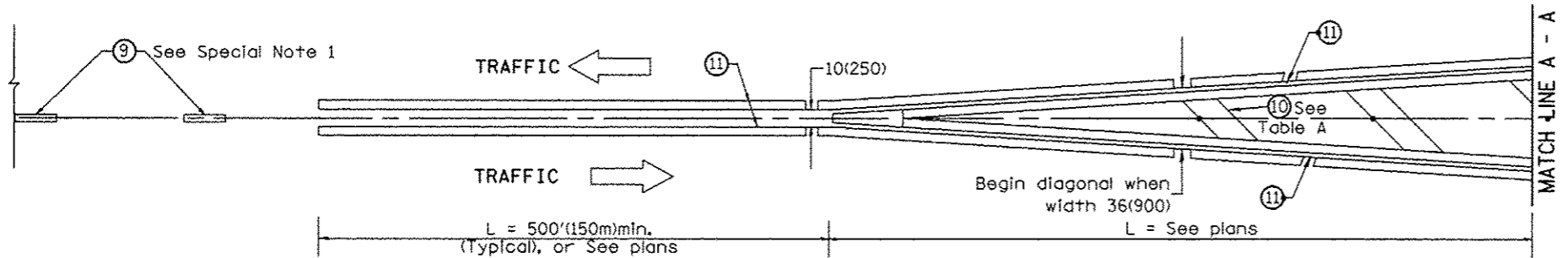


**TYPICAL TREATMENT:  
2-LANE WITH SHOULDER**

**FLUSH PAVED MEDIAN: RESTRICTED LEFT TURN LANE**

**TABLE A**  
RECOMMENDED SPACING BETWEEN DIAGONAL LINES

SPEED LIMIT RANGE	INTERSECTION CHANNELIZATION (Includes Width Transitions for Median and Left Turn Lane Introductions)	
	CONTINUOUS	
Less Than 30 mph (50 km/h)	50' (15m)	15' (5m)
30 - 45 mph (50 - 70 km/h)	75' (23m)	20' (6m)
Over 45 mph (70 km/h)	150' (46m)	30' (9m)



**MEDIAN INTRODUCTION - WIDTH TRANSITIONS**

All dimensions are in inches (millimeters)  
unless otherwise noted.