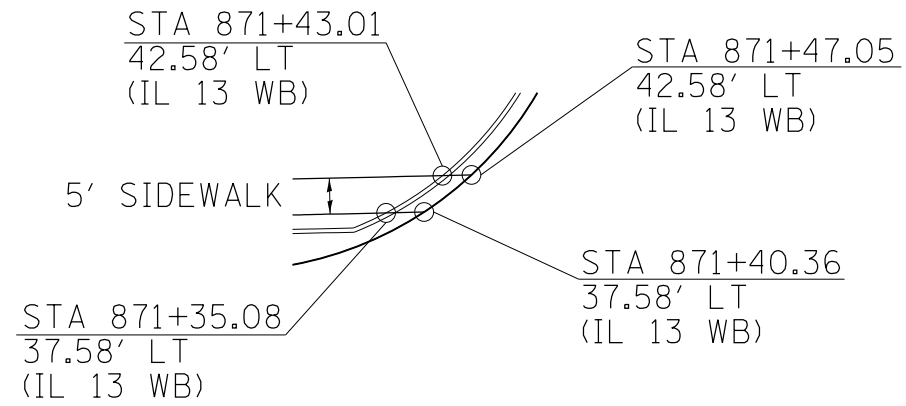
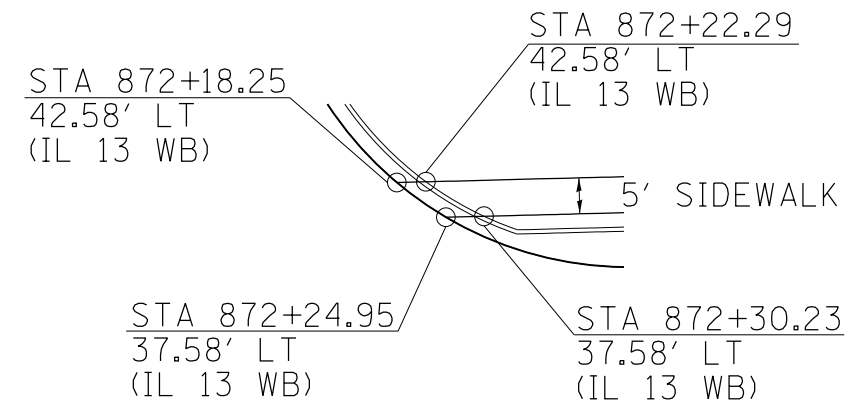


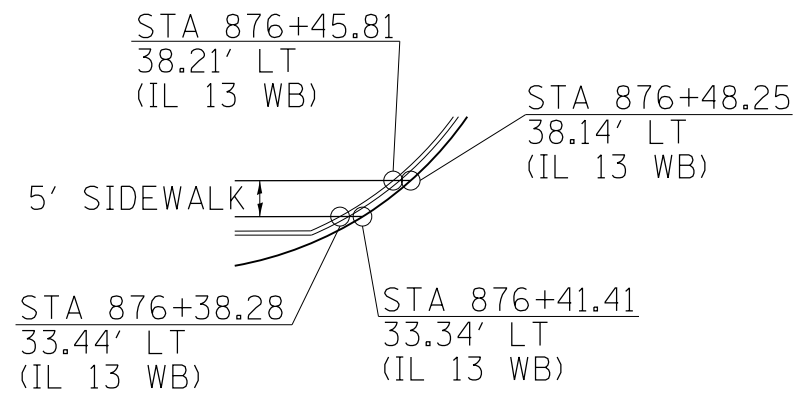
NORTHWEST QUADRANT OF BENTLEY ST.



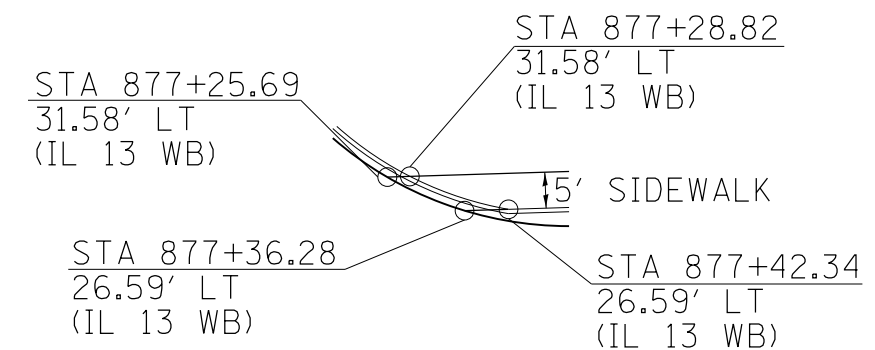
NORTHEAST QUADRANT OF BENTLEY ST.



NORTHWEST QUADRANT OF DUFOUR ST.



NORTHEAST QUADRANT OF DUFOUR ST.



FILE NAME =	USER NAME = \$USER\$	DESIGNED -	REVISED -	STATE OF ILLINOIS DEPARTMENT OF TRANSPORTATION	SIDEWALK DETAILS			F.A.P. RTE.	SECTION	COUNTY	TOTAL SHEETS	SHEET NO.
et:\pw\work\p\dot\k\elleykd\0184451\78203-sht-const.dgn		DRAWN -	REVISED -		331	(IX-1)R-5,RS-3,N-5,TS-4	WILLIAMSON	288	142			
	PLOT SCALE = 40.0000' / in.	CHECKED -	REVISED -		CONTRACT NO. 78203							
	PLOT DATE = 5/11/2012	DATE -	REVISED -		ILLINOIS FED. AID PROJECT							
				SCALE:	SHEET NO.	OF SHEETS	STA.	TO STA.				