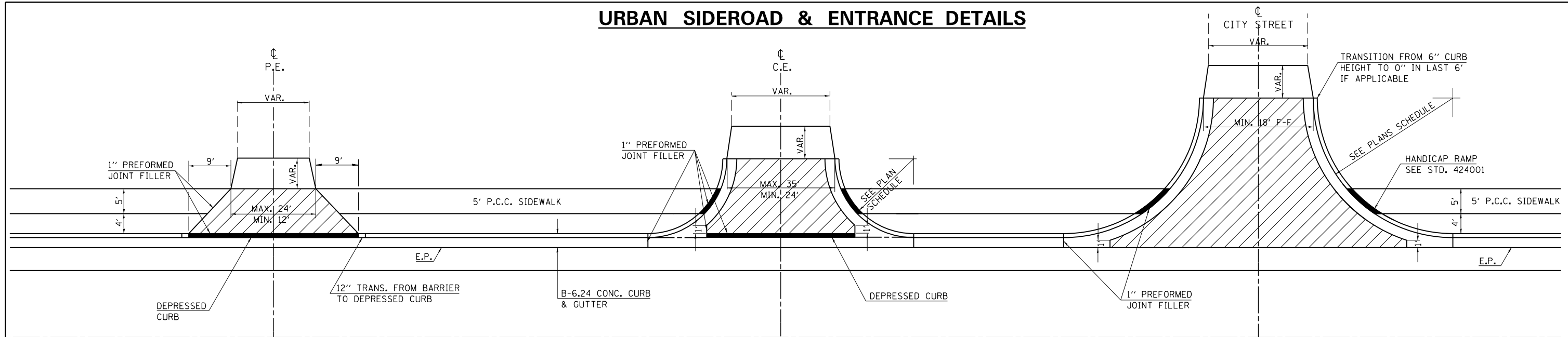


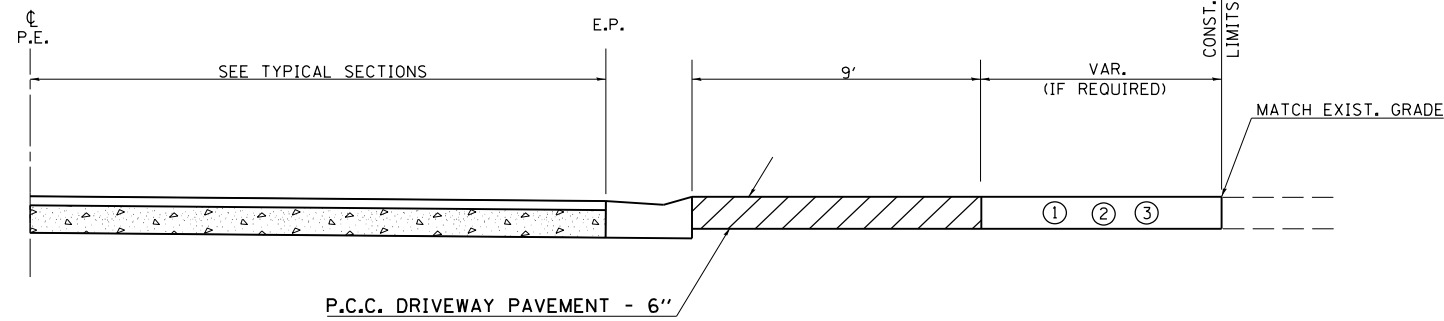
URBAN SIDEROAD & ENTRANCE DETAILS



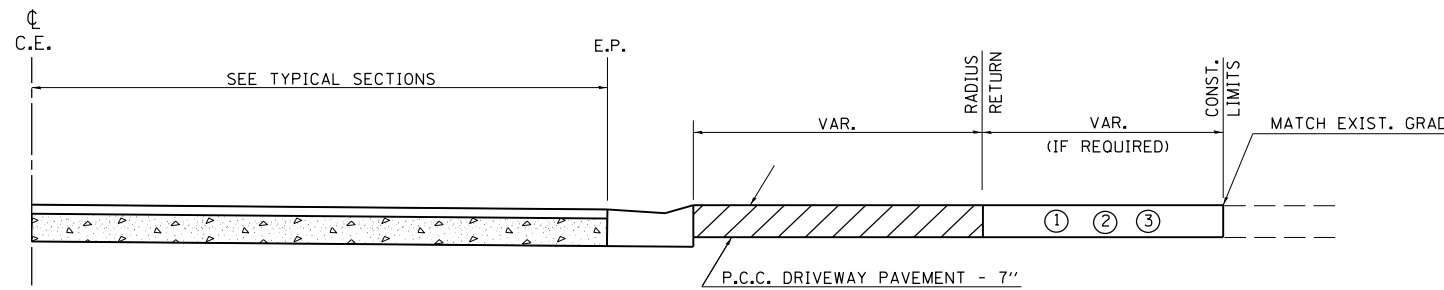
DETAILS PRIVATE ENTRANCE

DETAILS COMMERCIAL ENTRANCE

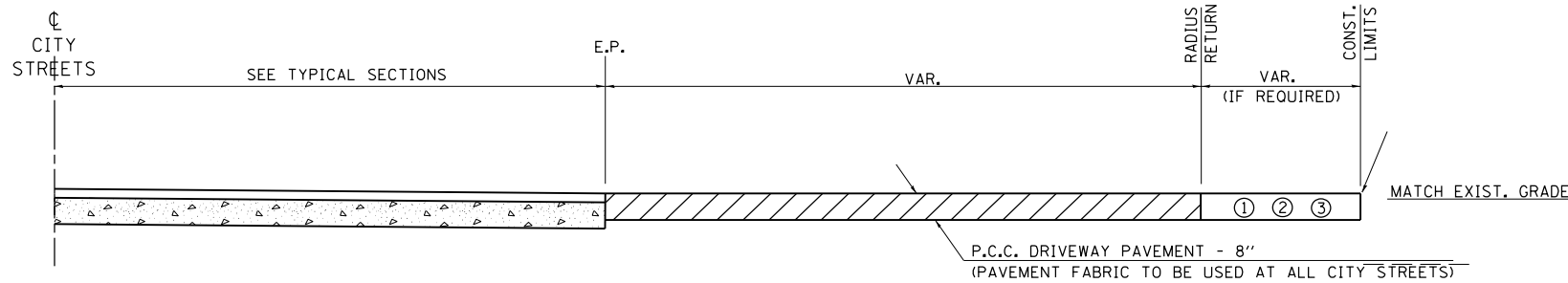
DETAILS CITY STREETS



PROFILE OF PRIVATE ENTRANCES



PROFILE OF COMMERCIAL ENTRANCES



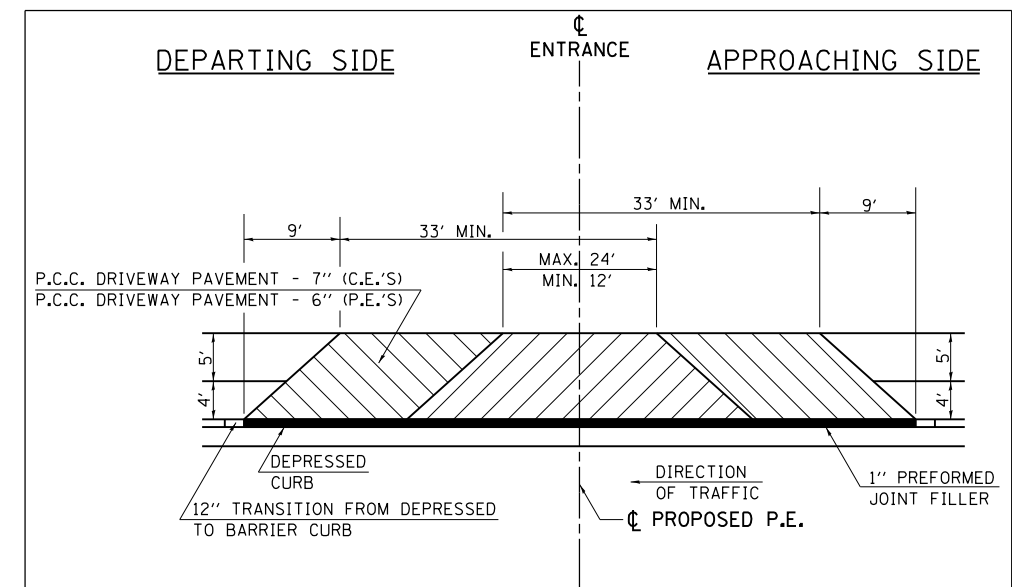
PROFILE OF CITY STREETS

GENERAL NOTES

- SEE PLAN SCHEDULES FOR DIMENSIONS AND QUANTITIES.
- SEE CROSS SECTIONS FOR PROPOSED PROFILE OF SIDEROAD AND ENTRANCES.
- IN GENERAL, WIDTH TRANSITION TAPER RATES ARE TO BE 5:1 FOR ENTRANCES, AND 10:1 FOR CITY STREETS.
- THE SAWING OF ALL JOINTS IN PCC DRIVEWAY PAVEMENT AT ALL LOCATIONS DESIGNATED BY THE ENGINEER, SHALL BE CONSIDERED INCIDENTAL TO THE COST OF THE PCC DRIVEWAY PAVEMENT.

LEGEND

- EXISTING AGGREGATE SURFACE:
CONSTRUCT AGGREGATE SURFACE CSE, TYPE A WEDGE TO MATCH EXISTING GRADE. USE 6" MIN. (8" MIN. FOR CITY STREETS) THICKNESS FOR ANY REQUIRED WIDENING.
- EXISTING BITUMINOUS SURFACE:
USE 2" MIN. BITUMINOUS RESURFACING ON 4" MIN. (6" MIN. FOR CITY STREETS) AGGREGATE BASE COURSE.
- EXISTING CONCRETE SURFACE:
P.C.C. DRIVEWAY PAVEMENT 6" P.E.'S
P.C.C. DRIVEWAY PAVEMENT 7" C.E.'S
P.C.C. DRIVEWAY PAVEMENT 8" CITY STREETS



DETAILS FOR CONST. MAILBOX TURNOUTS

(AT EITHER APPROACHING OR DEPARTING SIDE OF ENTRANCE)

FILE NAME =	USER NAME = \$USER\$	DESIGNED -	REVISED -
es:\pwork\pwork\kellykd\0184451\78203-sht-det.dgn		DRAWN -	REVISED -
		CHECKED -	REVISED -
		DATE -	REVISED -

**STATE OF ILLINOIS
DEPARTMENT OF TRANSPORTATION**

DETAIL: URBAN SIDEROAD & ENTRANCE DETAILS

SCALE: SHEET NO. OF SHEETS STA. TO STA.

F.A.P. RTE.	SECTION	COUNTY	TOTAL SHEETS	SHEET NO.
331	(1X-1JR-5,RS-3,N-5,TS-4	WILLIAMSON	288	149
CONTRACT NO. 78203			ILLINOIS FED. AID PROJECT	

REVISIONS	
DRAWN	10-22-90
REVISED	9-6-91
REVISED	10-21-91
RESIZED	5-8-08

STD. 9-84