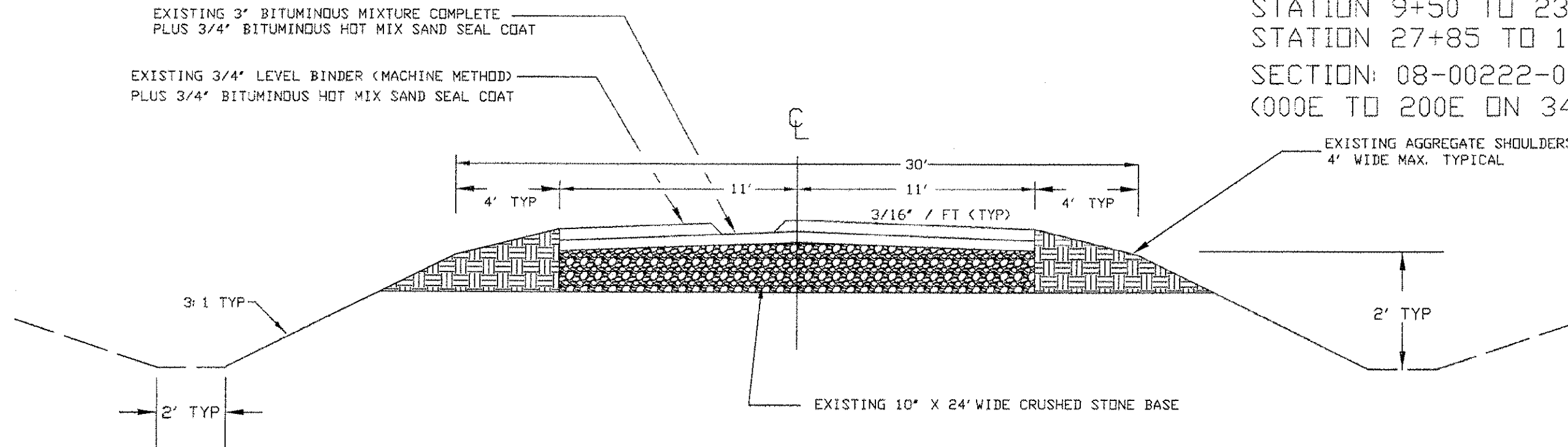


ROUTE NO.	SECTION	COUNTY	TOTAL SHEETS	SHEET NO.
FAS 1322	08-00222-02-RS & 08-00219-01-RS	IRROQUOIS	5	3
JOB # C-93-087-12			PROJECT RS-1322(126)	
CONTRACT 87526				

## EXISTING TYPICAL SECTION

STATION 9+50 TO 23+85  
 STATION 27+85 TO 113+91  
 SECTION: 08-00222-02-RS  
 (000E TO 200E ON 3400N)



## PROPOSED TYPICAL SECTION

STATION 9+50 TO 23+85  
 STATION 27+85 TO 113+91  
 SECTION: 08-00222-02-RS  
 (000E TO 200E ON 3400N)

