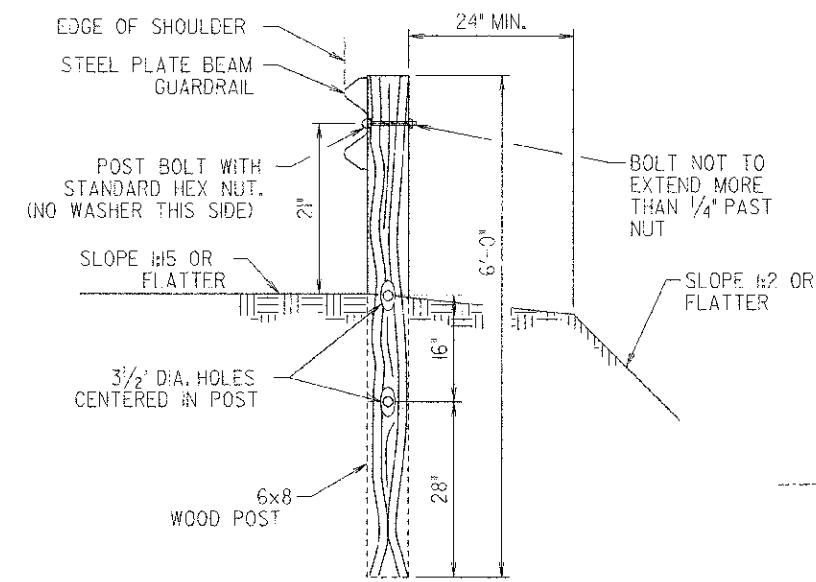
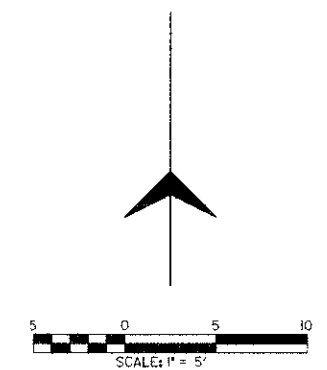


ROUTE NO.	SECTION	COUNTY	TOTAL SHEETS	SHEET NO.
C.H. 16	07-00944-00-BR	CHAMPAIGN	45	9
SIA.		FO SIA.		
F.H.W.A. REG.		ILLINOIS PROJECT		



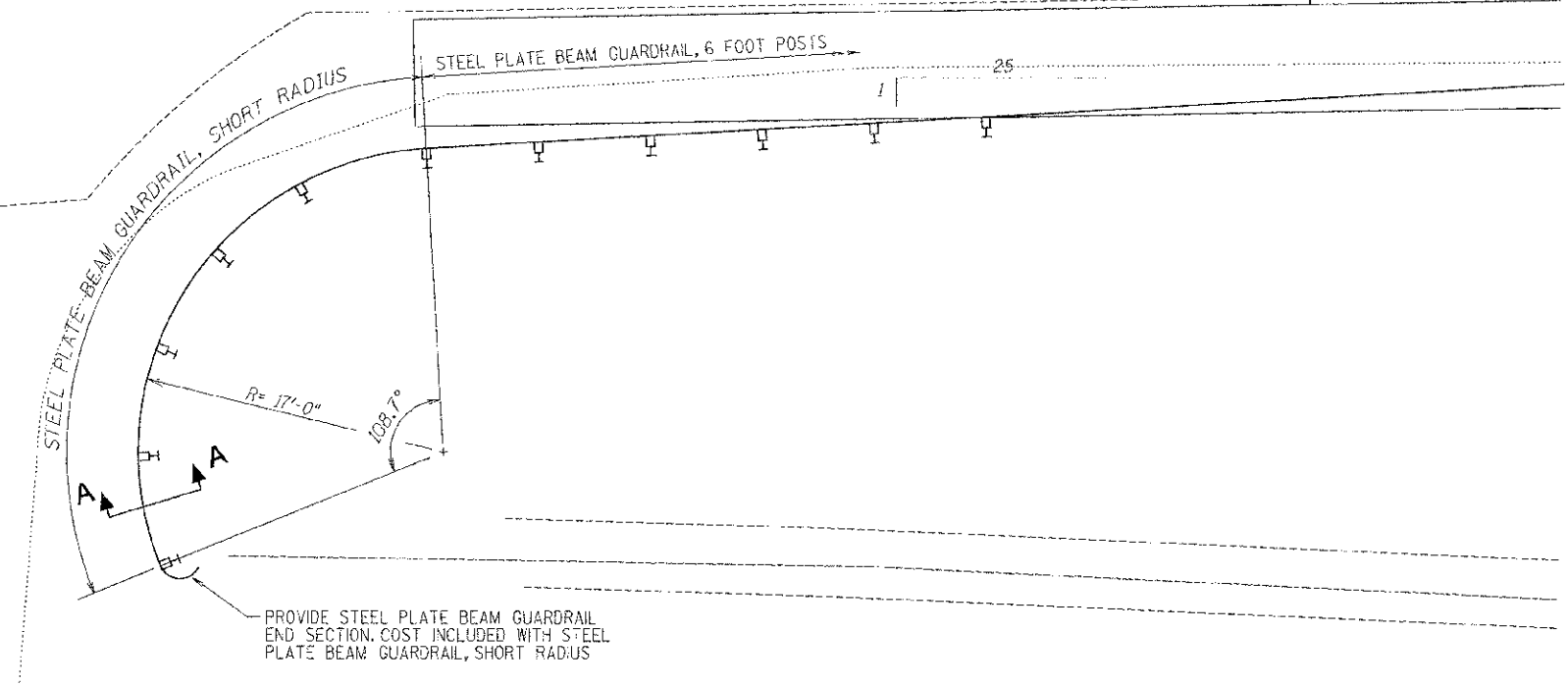
SECTION A-A
NOT TO SCALE



CL CR 200N

NOTES:

1. CONSTRUCT ACCORDING TO STANDARD 631011 FOR TRAFFIC BARRIER TERMINAL TYPE 2, EXCEPT DELETE END SECTION AND SPLICE INTO RADIUS GUARDRAIL.
2. FOR THE 8'-6" RADIUS, THE RAIL IS NOT BOLTED TO THE POST LOCATED AT THE MIDPOINT OF THE CURVE.



GUARDRAIL DETAIL

GUARDRAIL DETAILS
SECTION: 07-00944-00-BR
CHAMPAIGN COUNTY
STATION 10+00