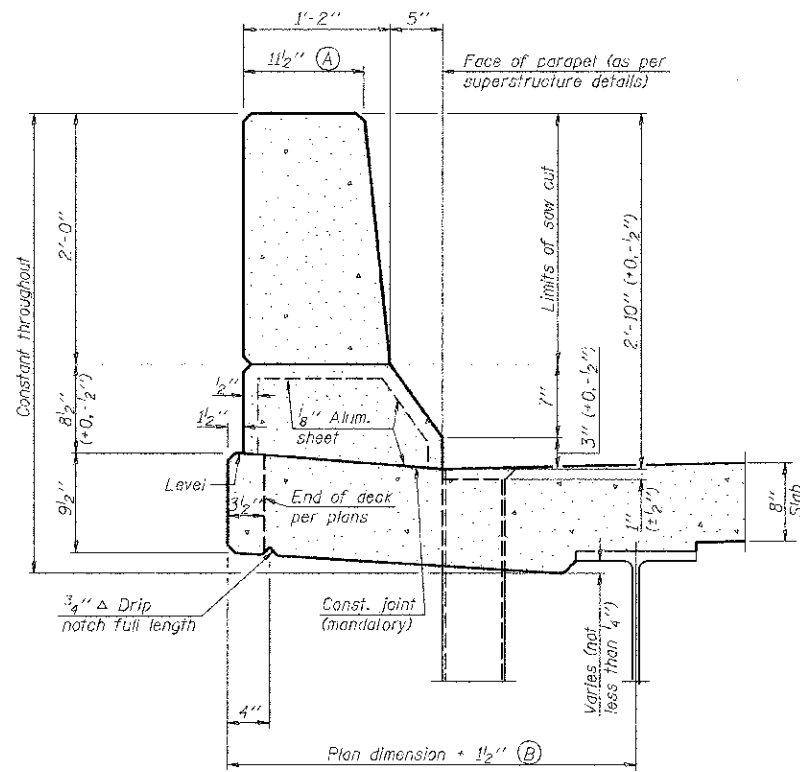
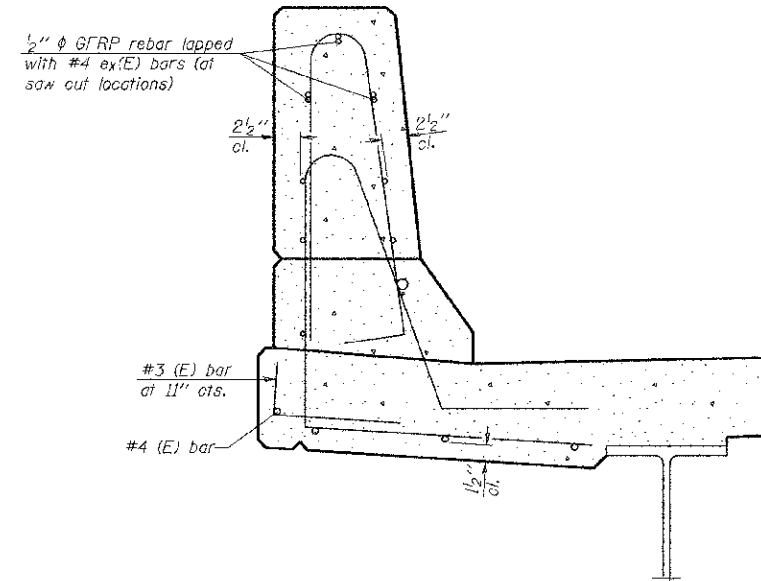


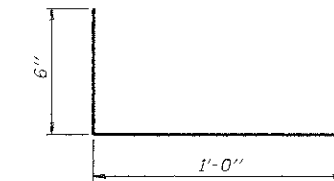
ROUTE NO.	SECTION	COUNTY	TOTAL SHEETS	SHEET NO.
C.H. 16	07-00944-00-BR	CHAMPAIGN	45	18
STA.	TO STA.			
F.H.W.A. REG.	ILLINOIS	PROJECT		



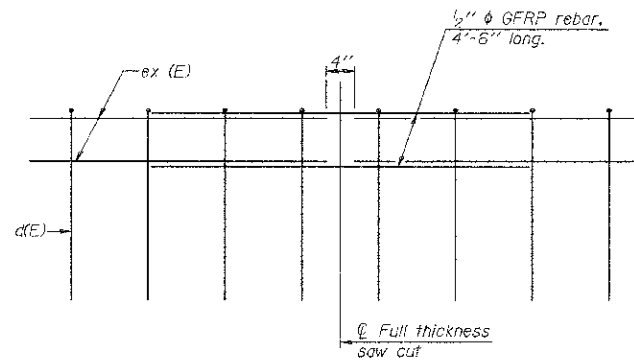
SECTION
(Showing dimensions)



SECTION
(Showing reinforcement clearances for slip forming and additional reinforcement bars)



#3 (E) BAR



GFRP REBAR STIFFENING DETAIL

(Place as shown in parapet section at each parapet joint location.)

GENERAL NOTES
All dimensions shall remain the same as shown on contract plans, except dimensions A and B which are to be revised as shown to provide additional clearance. Additional concrete needed to revise dimension A and B = 0.0165 cu. yds./ft. of parapet.
Place aluminum sheet in curb portion at and near piers. Full thickness saw cut at all joint locations in lieu of cork joint filler.

**CONCRETE PARAPET
SLIPFORMING OPTION
STRUCTURE NO. 010-4548**

SECTION: 07-00944-00-BR
CHAMPAIGN COUNTY
STATION 10+00