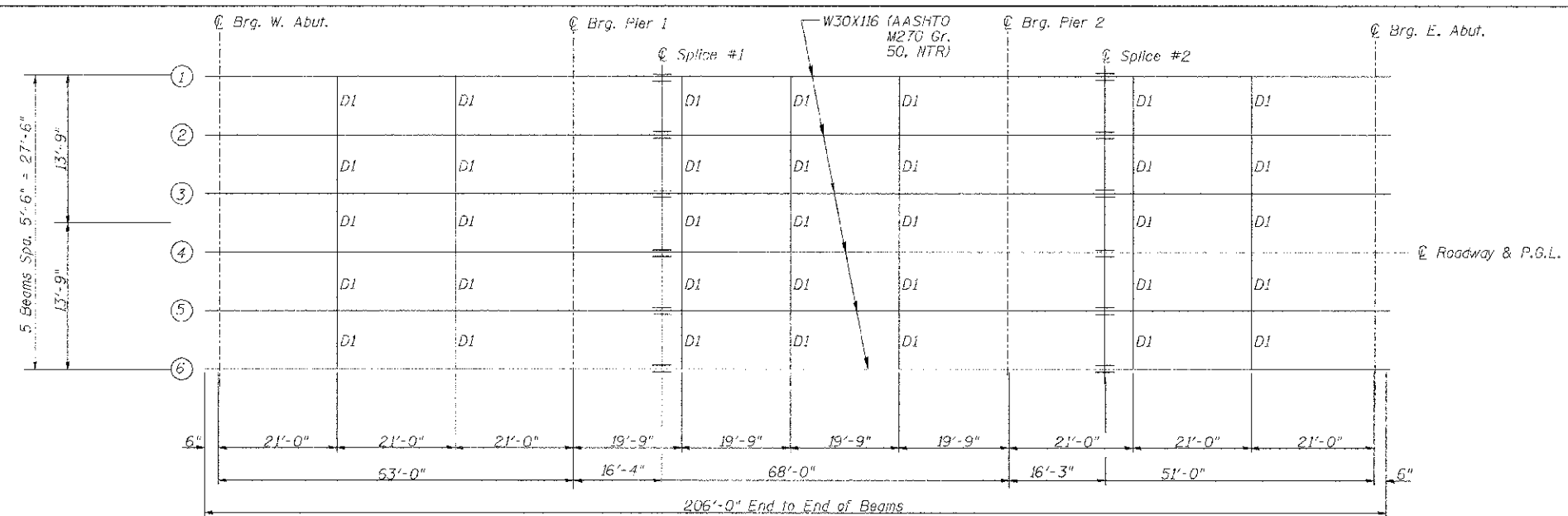
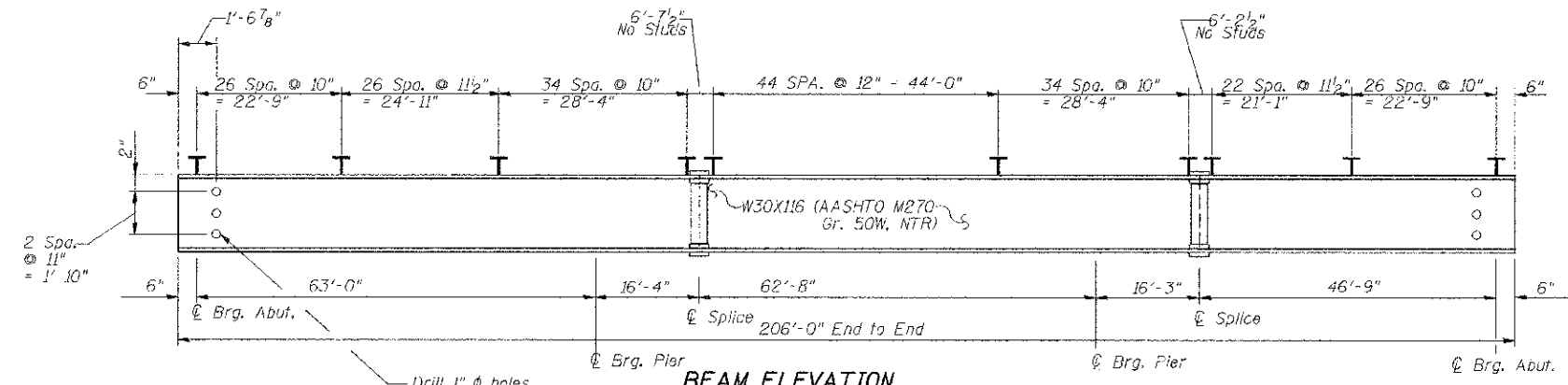


ROUTE NO.	SECTION	COUNTY	TOTAL SHEETS	SHEET NO.
C.H. 16	07-00944-00-BR	CHAMPAIGN	45	19
STA.	10 STA.			
F.H.W.A. REG.	ILLINOIS	PROJECT		

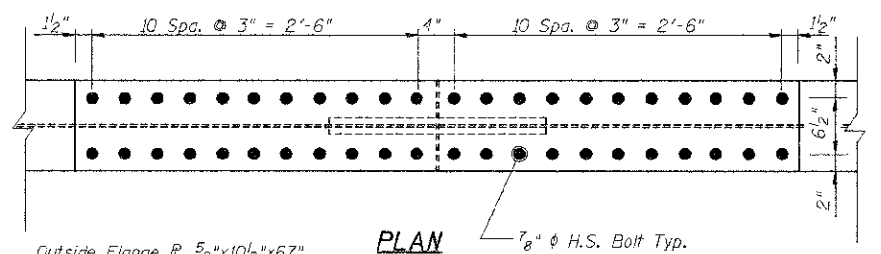
Sheet 10 of 21



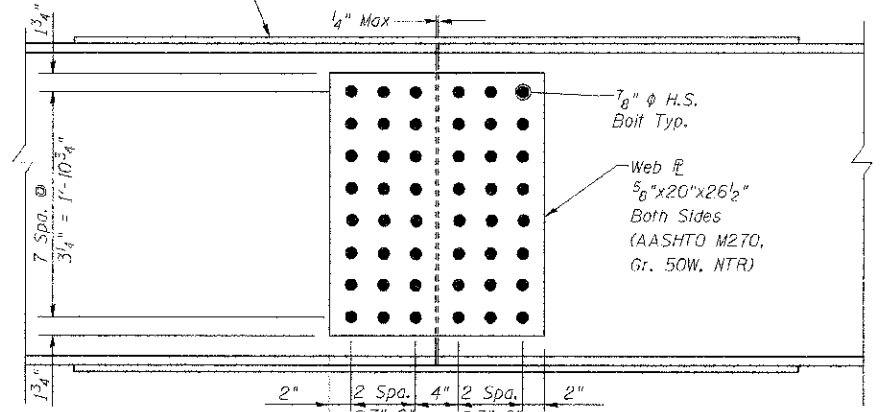
FRAMING PLAN



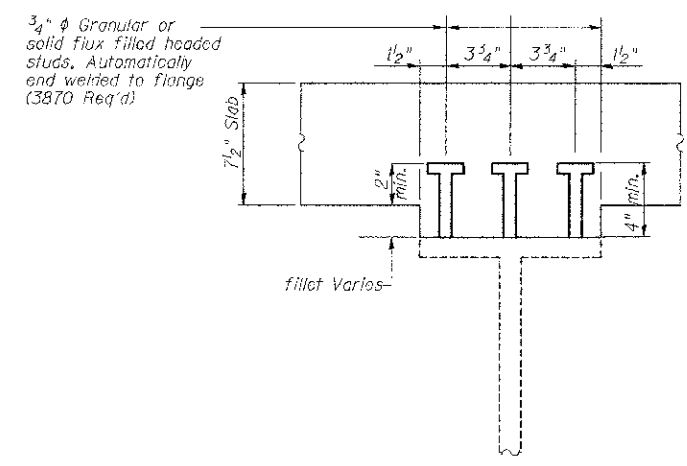
BEAM ELEVATION
(Looking West)



PLAN



ELEVATION SPLICE



SECTION A-A

TOP OF BEAM ELEVATIONS *

Location	Beam 1	Beam 2	Beam 3	Beam 4	Beam 5	Beam 6
⊕ Brg. West Abut.	654.54	654.54	654.63	654.63	654.54	654.54
⊕ Brg. Pier 1	654.13	654.23	654.32	654.32	654.23	654.13
⊕ Splice 1	654.03	654.13	654.21	654.21	654.13	654.03
⊕ Brg. Pier 2	653.74	653.84	653.92	653.92	653.84	653.74
⊕ Splice 2	653.66	653.73	653.84	653.84	653.73	653.66
⊕ Brg. East Abut.	653.57	653.66	653.75	653.75	653.66	653.57

*For Fabrication Only

Load carrying components designated "NTR" shall conform to the Supplemental Requirements for Notch Toughness, Zone 2.

STEEL PLAN I
SECTION: 07-00944-00-BR
CHAMPAIGN COUNTY
⊕ STATION 10+00