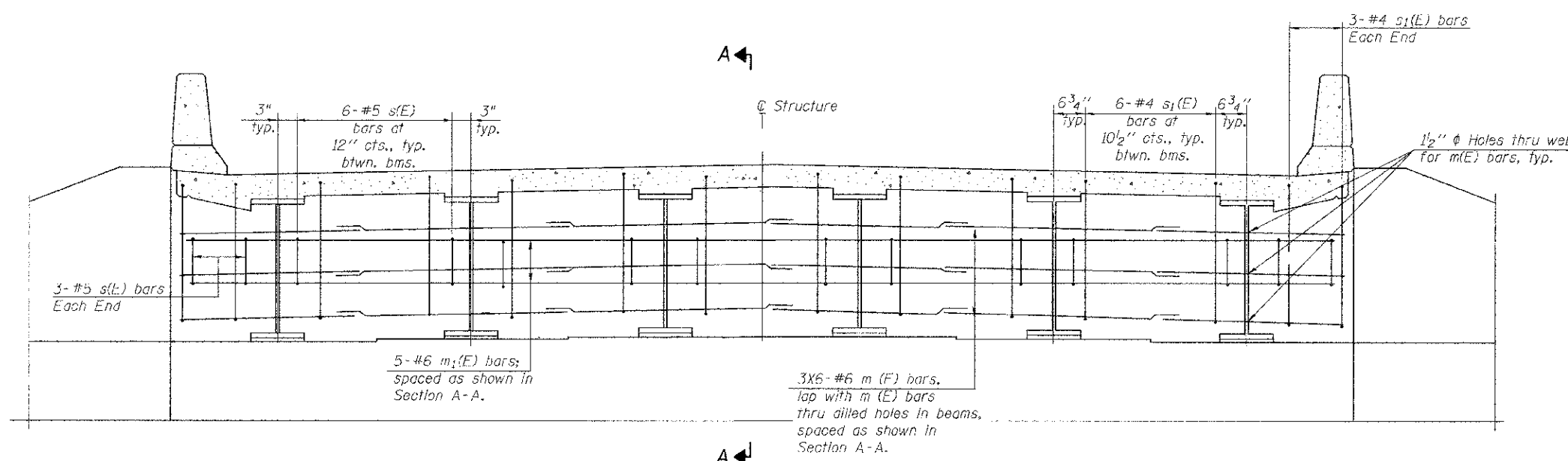
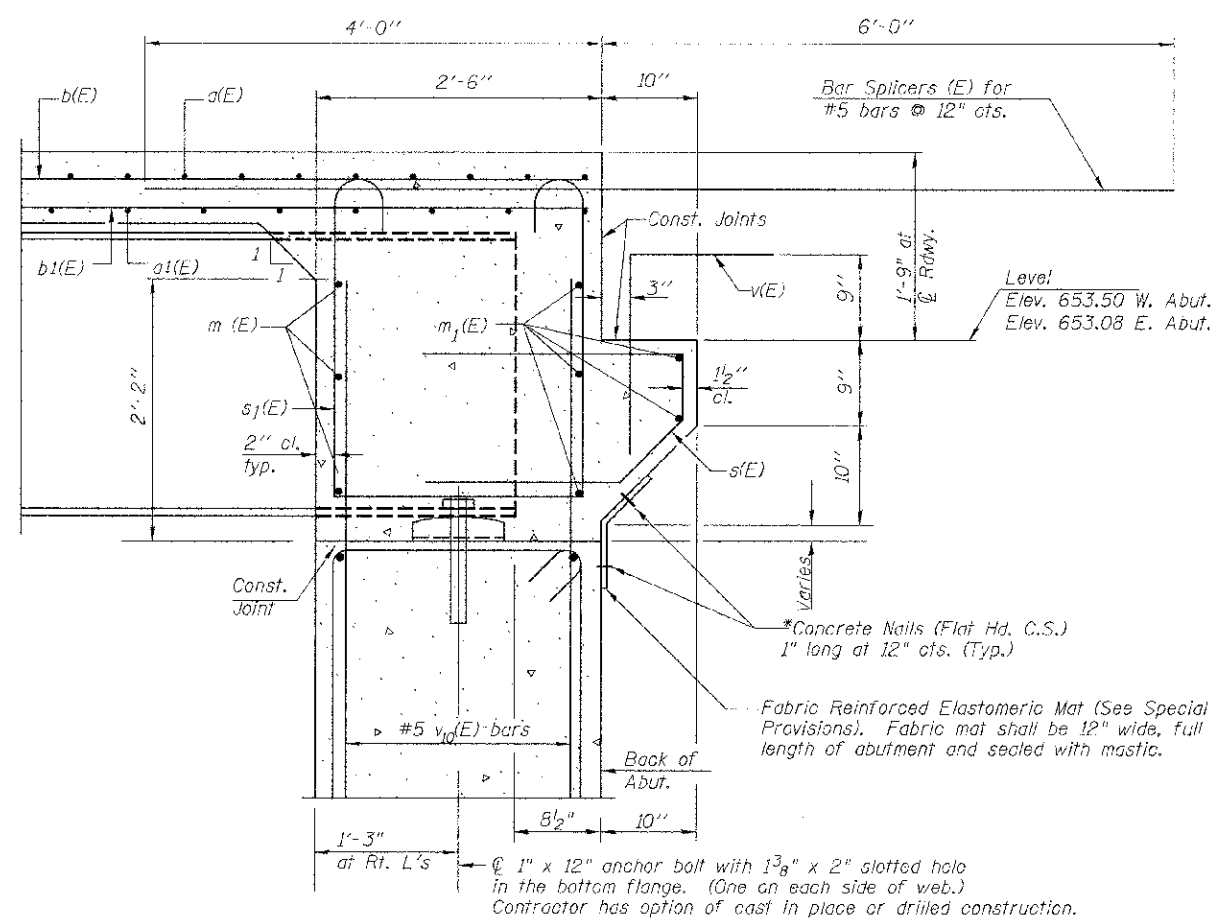


ROUTE NO.	SECTION	COUNTY	TOTAL SHEETS	SHEET NO.
C.H. 16	07-00944-00-BR	CHAMPAIGN	45	21
STA.	TO STA.			
F.H.W.A. REG.	ILLINOIS	PROJECT		



DIAPHRAGM ELEVATION AT ABUTMENT



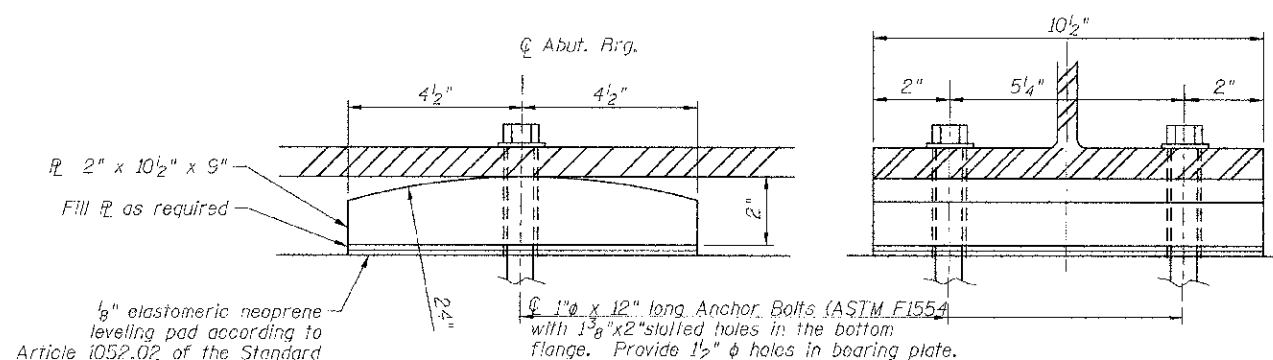
SECTION A-A

Dimensions of right angles to abutment, except as shown.

*Included in the cost of "Concrete Structures".

**Included in the cost of "Percuss Granular Embankment".

Notes:
 Reinforcement bars in diaphragm are billed with superstructure on sheet 8 of 21.
 Concrete in diaphragm is included with Concrete Superstructure on sheet 8 of 21.
 For details of bars s(E) and s1(E) see sheet 8 of 21.



ELEVATION AT ABUT

SECTION B-B

ROCKER PLATE DETAIL

12 REQUIRED

MIN. BAR LAP

#6 bar = 2'-9"

Notes:

- Anchor bolts shall be ASTM F1554 all-thread (or an Engineer-approved alternate material) of the grade(s) and diameter(s) specified. ASTM A307 Grade C anchor bolts may be used in lieu of ASTM F1554 Grade 36 (Fy=36ksi). The corresponding specified grade of AASHTO M314 anchor bolts may be used in lieu of ASTM F1554.
- Rocker Plates shall be AASHTO M270 Gr. 50W
- Drilled and set anchor bolts shall be installed according to Article 521.06 of the Standard Specifications.
- Two 1/8" adjusting shims shall be provided for each bearing in addition to all other plates or shims and placed as shown on bearing details.
- The structural steel plates of the bearing assembly shall conform to the requirements of AASHTO M270, Grade 50W.

DIAPHRAGM DETAILS	
SECTION: 07-00944-00-BR	
CHAMPAIGN COUNTY	
Q. STATION 10+00	