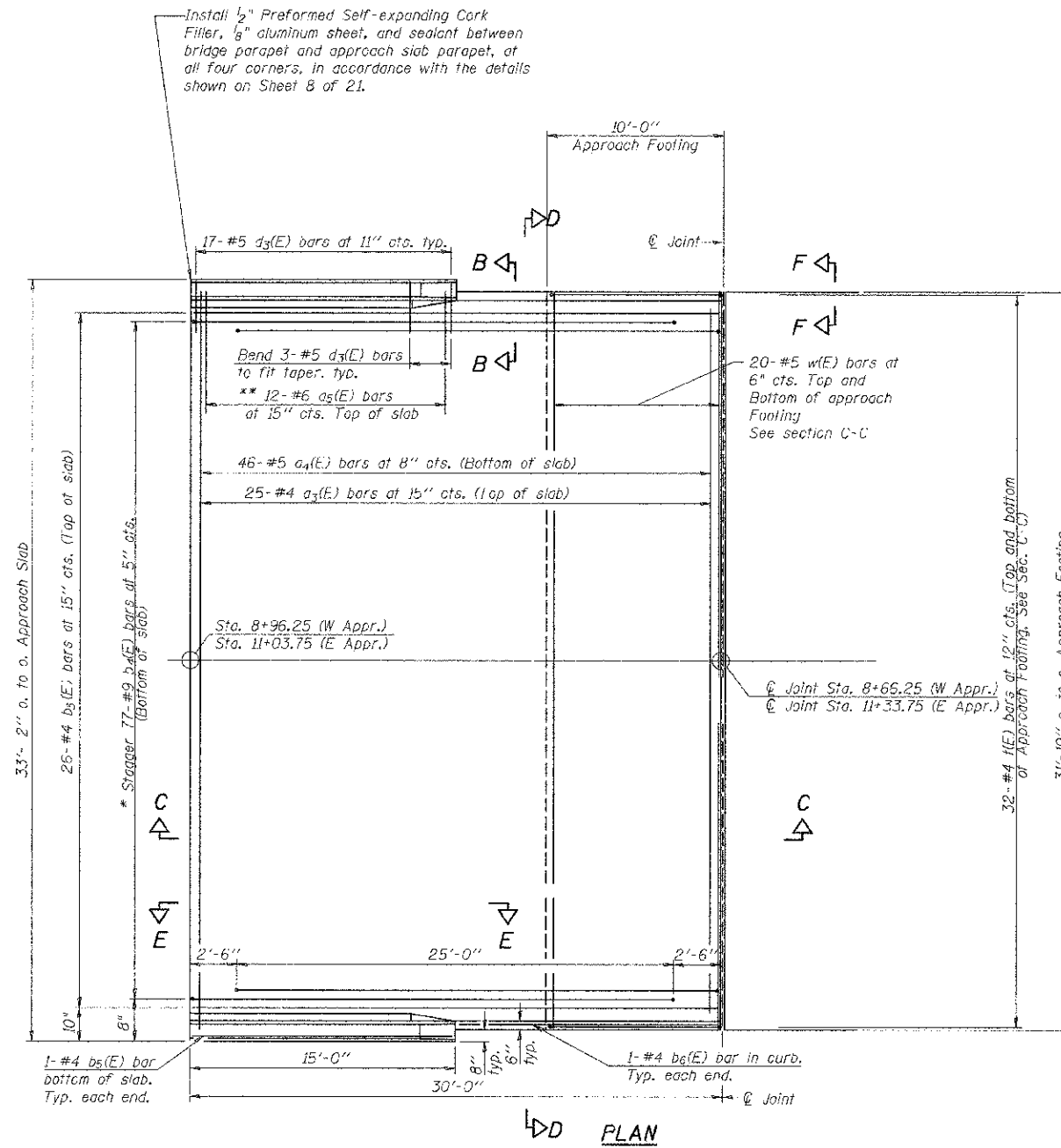


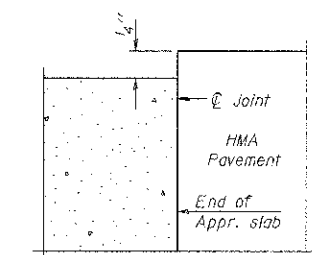
ROUTE NO.	SECTION	COUNTY	TOTAL SHEETS	SHEET NO.
C.H. 16	07-00944-00-BR	CHAMPAIGN	45	25
STA. _____ TO STA. _____		ILLINOIS PROJECT		



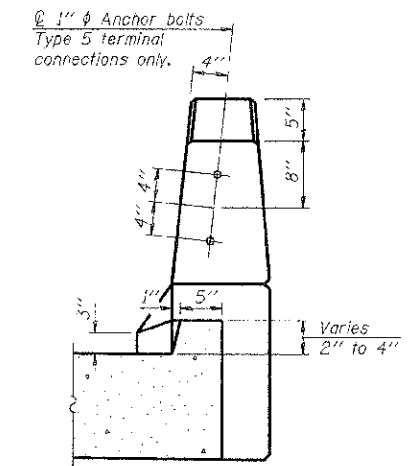
Install 1/2" Preformed Self-expanding Cork Filler, 1/8" aluminum sheet, and sealant between bridge parapet and approach slab parapet, at all four corners, in accordance with the details shown on Sheet 8 of 21.

Notes:
See sheet 17 of 21 for Sections C-C & D-D and View E-E, a3(E), a4(E), a5(E), a6(E), and w(E) bar spacings measured perpendicular to ϕ Rdwy.

*** Cast included with Concrete Superstructure.



FLEXIBLE PAVEMENT
DETAIL A



VIEW B-B

* Tilt #9 b4(E) bars as required to maintain clearance.
** Alternate with a3(E), typ. ea. parapet.

BA-0

7-1-10

BRIDGE APPROACH SLAB DETAILS
STRUCTURE NO. 010-4548
(Sheet 1 of 2)

BRIDGE APPR. SLAB DETAILS
SECTION: 07-00944-00-BR
CHAMPAIGN COUNTY
ϕ STATION 10+00