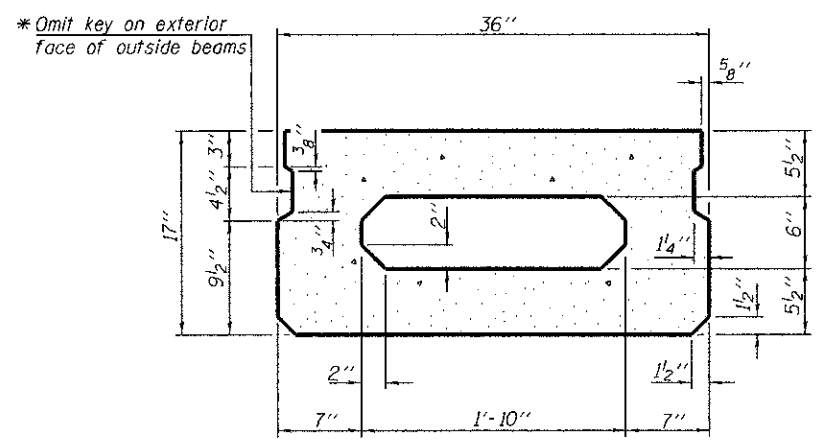
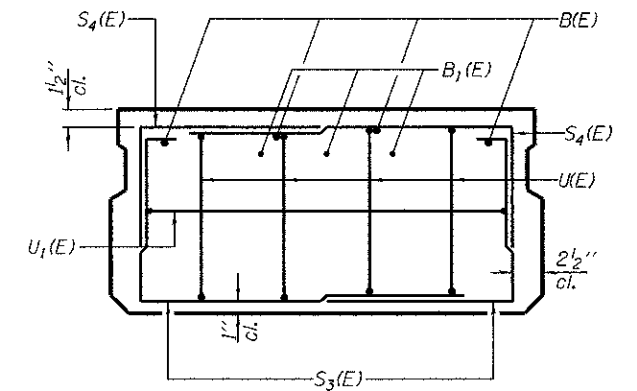


SECTION A-A

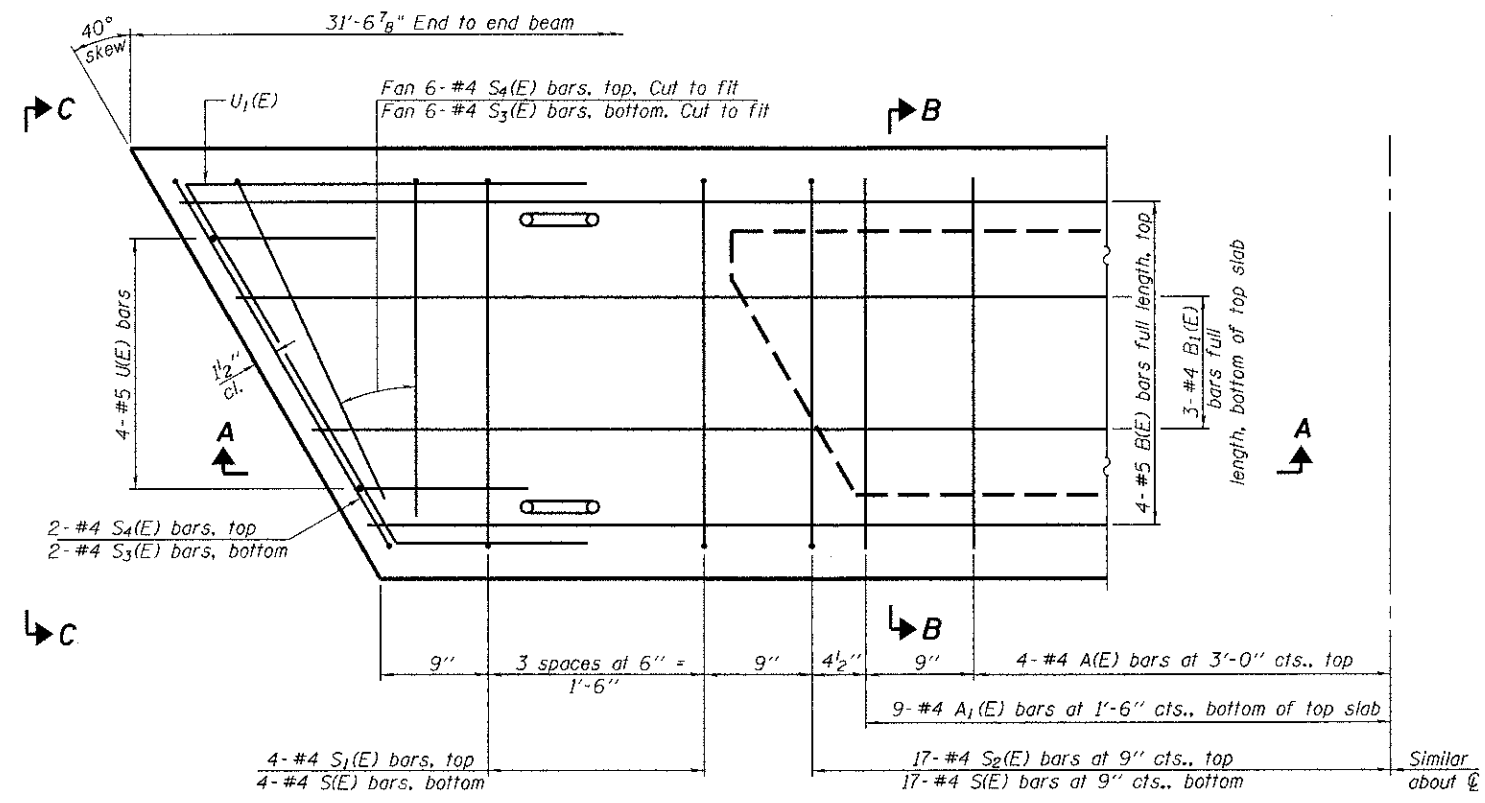


SECTION B-B
(Showing dimensions)



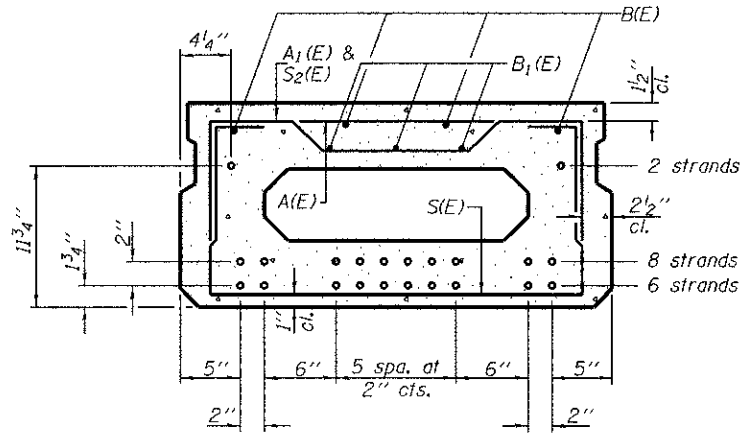
VIEW C-C

* Rail Post Anchor Devices Shall be Cast into Exterior Face of Outside Beams.



PLAN VIEW

Note: Spacing of S(E) and S2(E) bars may be adjusted up to 4 inches in the immediate area of the transverse tie diaphragms to miss the block outs for the transverse ties.



SECTION B-B

(Showing reinforcement and permissible strand locations)

Note: Place the number of strands specified in each row symmetrically about the centerline of beam in the permissible strand locations shown.

BAR LIST
ONE BEAM ONLY
(For information only)

Bar	No.	Size	Length	Shape
A(E)	8	#4	2'-7"	—
A1(E)	18	#4	2'-10"	—
B(E)	4	#5	3'-3"	—
B1(E)	3	#4	3'-3"	—
S(E)	42	#4	5'-9"	—
S1(E)	8	#4	4'-3"	—
S2(E)	34	#4	4'-6"	—
S3(E)	16	#4	4'-11"	—
S4(E)	16	#4	4'-2"	—
U(E)	8	#5	3'-8"	—
U1(E)	2	#4	7'-10"	—

Note: See sheet 4 of 10 for additional details and Bill of Material.

MINIMUM BAR LAP

#4 bar = 2'-0"
#5 bar = 2'-6"



PD-1736-R 7-1-10

FILE NAME = J:\09029\CADD\CADsheets\SN 011-3417\080	USER NAME = amandah	DESIGNED - NIEWINSKI	REVISED - AH 4/20/11	STATE OF ILLINOIS DEPARTMENT OF TRANSPORTATION	17" x 36" PPC DECK BEAM SPANS 1 & 3 STRUCTURE NO. 011-3417	T.R. RTE.	SECTION	COUNTY	TOTAL SHEETS	SHEET NO.	
PLOT SCALE = 0.2, 0.0000 1" = 16'	PLOT DATE = 5/3/2011	CHECKED - TRELLO	REVISED -			JOTA	08-04118-00-BR	CHRISTIAN	26	10	
		DRAWN - VERENSKI	REVISED -			CONTRACT NO. 3 5 6 7					
		CHECKED - TRELLO	REVISED -			SHEET NO. 2 OF 10 SHEETS					