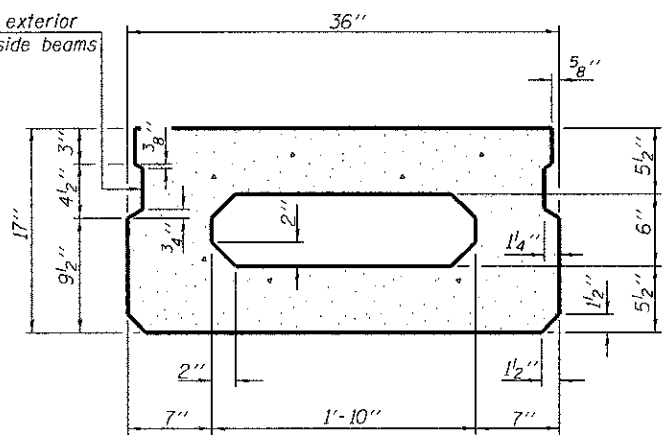
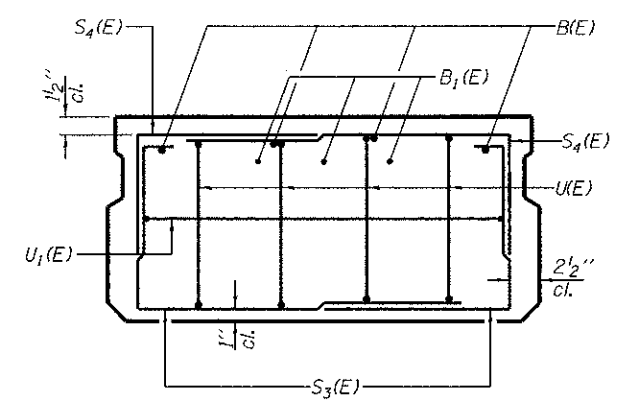


SECTION A-A

* Omit key on exterior face of outside beams

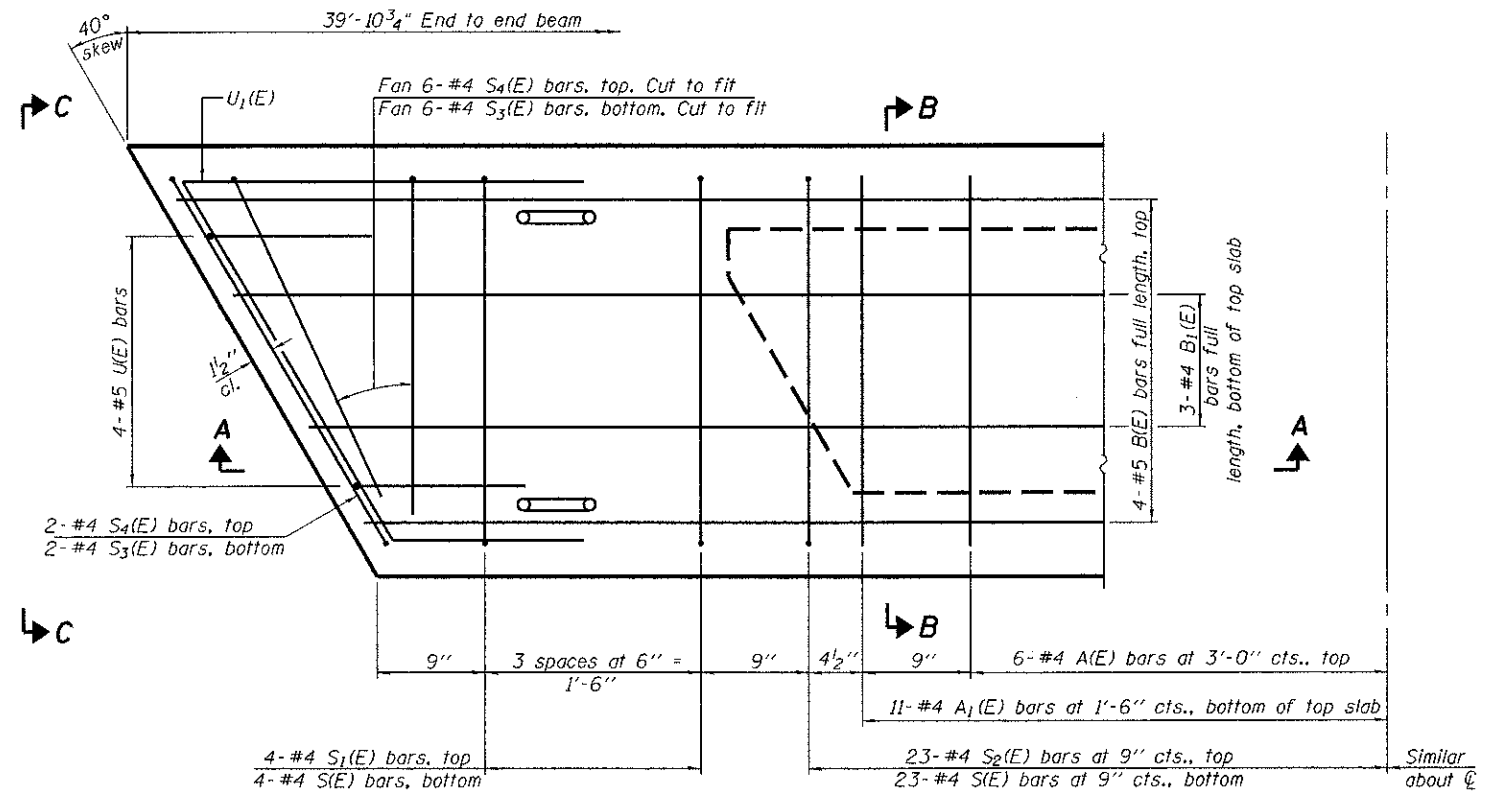


SECTION B-B
(Showing dimensions)

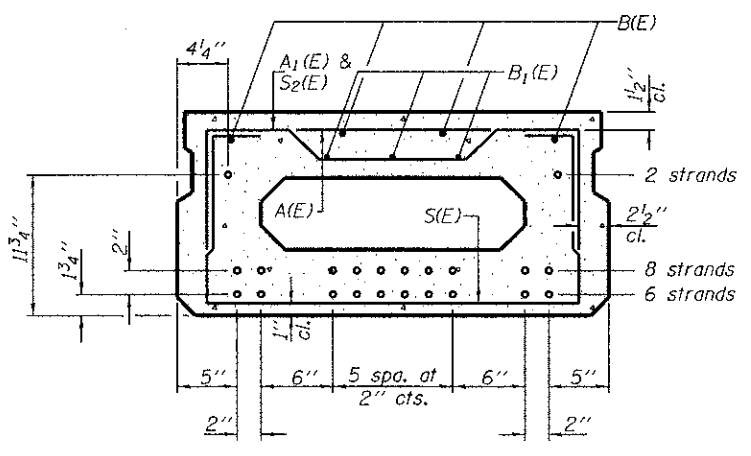


VIEW C-C

* Rail Post Anchor Devices Shall be Cast into Exterior Face of Outside Beams.



PLAN VIEW



SECTION B-B

(Showing reinforcement and permissible strand locations)

Note: Place the number of strands specified in each row symmetrically about the centerline of beam in the permissible strand locations shown.

BAR LIST
ONE BEAM ONLY
(For information only)

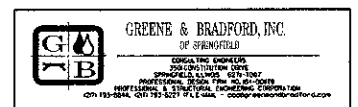
Bar	No.	Size	Length	Shape
A(E)	12	#4	2'-7"	
A1(E)	22	#4	2'-10"	
B(E)	4	#5	39'-6"	
B1(E)	3	#4	39'-6"	
S(E)	54	#4	5'-9"	
S1(E)	8	#4	4'-3"	
S2(E)	46	#4	4'-6"	
S3(E)	16	#4	4'-11"	
S4(E)	16	#4	4'-2"	
U(E)	8	#5	3'-8"	
U1(E)	2	#4	7'-10"	

Note: See sheet 4 of 10 for additional details and Bill of Material.

MINIMUM BAR LAP

- #4 bar = 2'-0"
- #5 bar = 2'-6"

Note: Spacing of S(E) and S2(E) bars may be adjusted up to 4" in the immediate area of the transverse tie diaphragms to miss the block outs for the transverse ties.



PD-1736-R 7-1-10

FILE NAME = J:\09029\CADD\CAD\sheet\SN 011-3417-000	USER NAME = amandah	DESIGNED - NIEWINSKI	REVISED - AH 4/20/11
PLOT SCALE = 0.2, 0.0000 1" = 10'	PLOT DATE = 5/3/2011	CHECKED - TRELLO	REVISED -
		DRAWN - VERENSKI	REVISED -
		CHECKED - TRELLO	REVISED -

STATE OF ILLINOIS
DEPARTMENT OF TRANSPORTATION

17" x 36" PPC DECK BEAM SPAN 2
STRUCTURE NO. 011-3417
SHEET NO. 3 OF 10 SHEETS

T.R. RTE.	SECTION	COUNTY	TOTAL SHEETS	SHEET NO.
307A	06-04118-00-BR	CHRISTIAN	26	11
CONTRACT NO. 93567			ILLINOIS FED. AID PROJECT: BR05-0021 (178)	