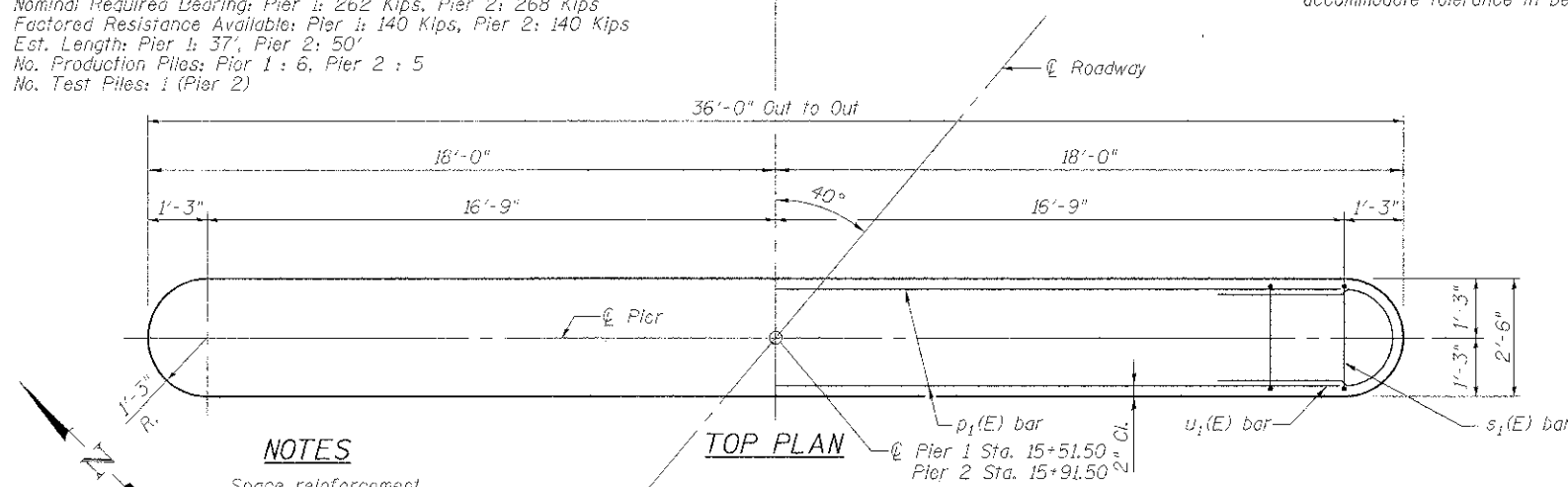


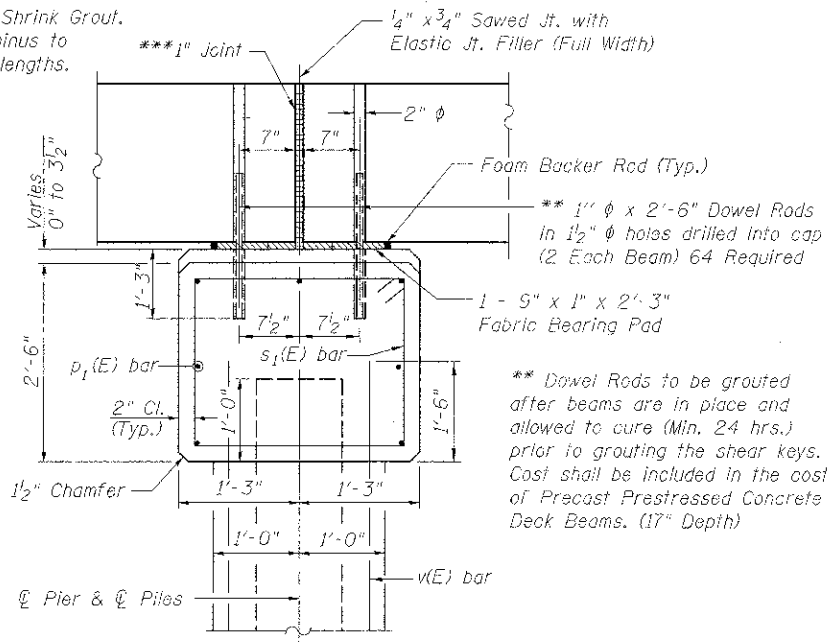
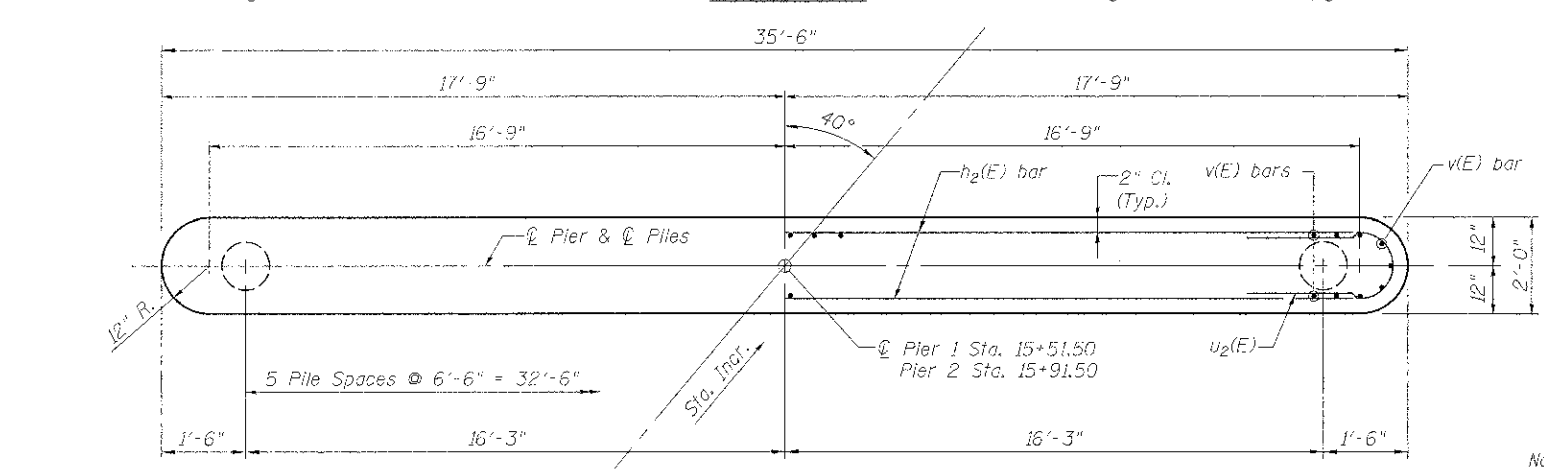
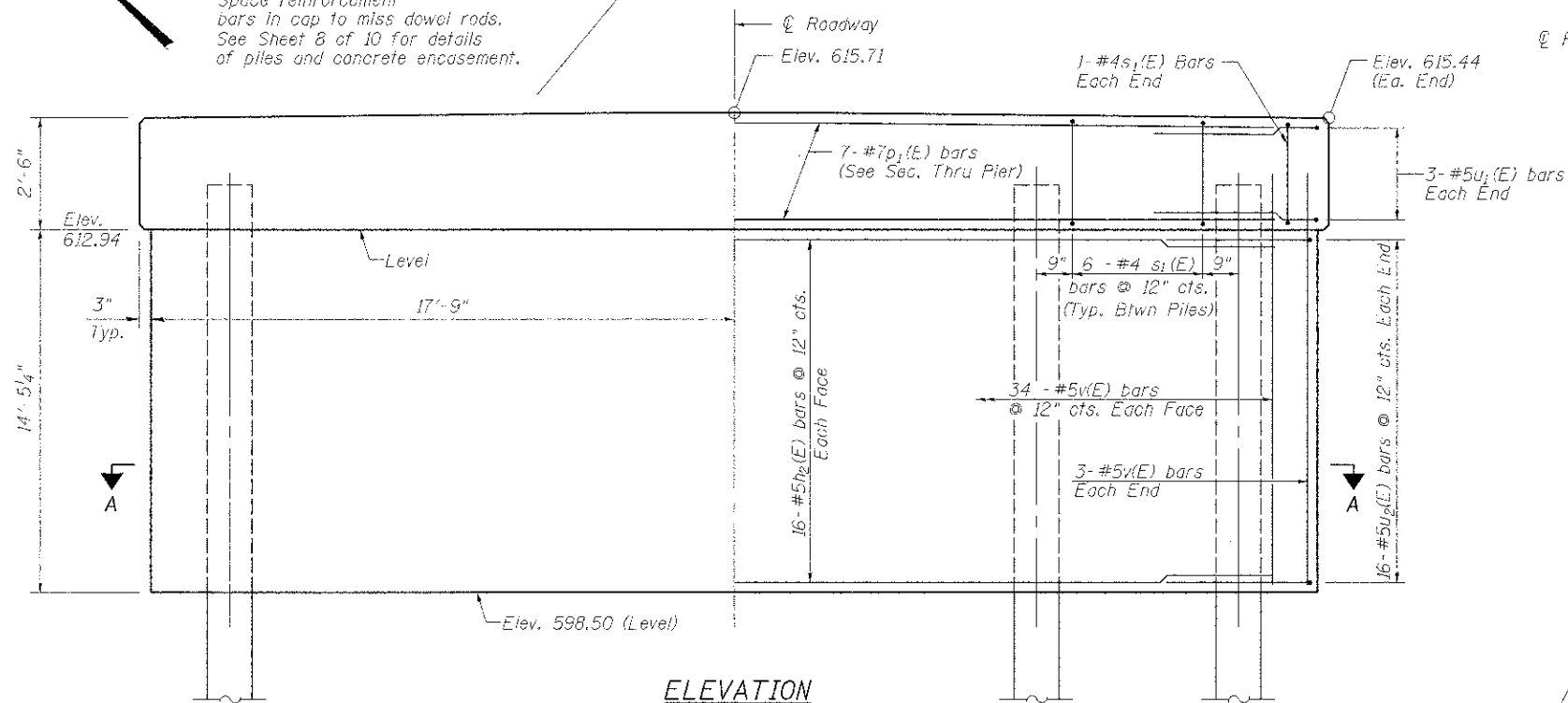
PILE DATA

Type: Metal Shell, 12" ϕ x 0.25" wall
 Nominal Required Bearing: Pier 1: 262 Kips, Pier 2: 268 Kips
 Factored Resistance Available: Pier 1: 140 Kips, Pier 2: 140 Kips
 Est. Length: Pier 1: 37', Pier 2: 50'
 No. Production Piles: Pier 1: 6, Pier 2: 5
 No. Test Piles: 1 (Pier 2)

***1" Joint shall be filled with Non-Shrink Grout.
 1" Dimension may vary plus or minus to accommodate tolerance in beam lengths.



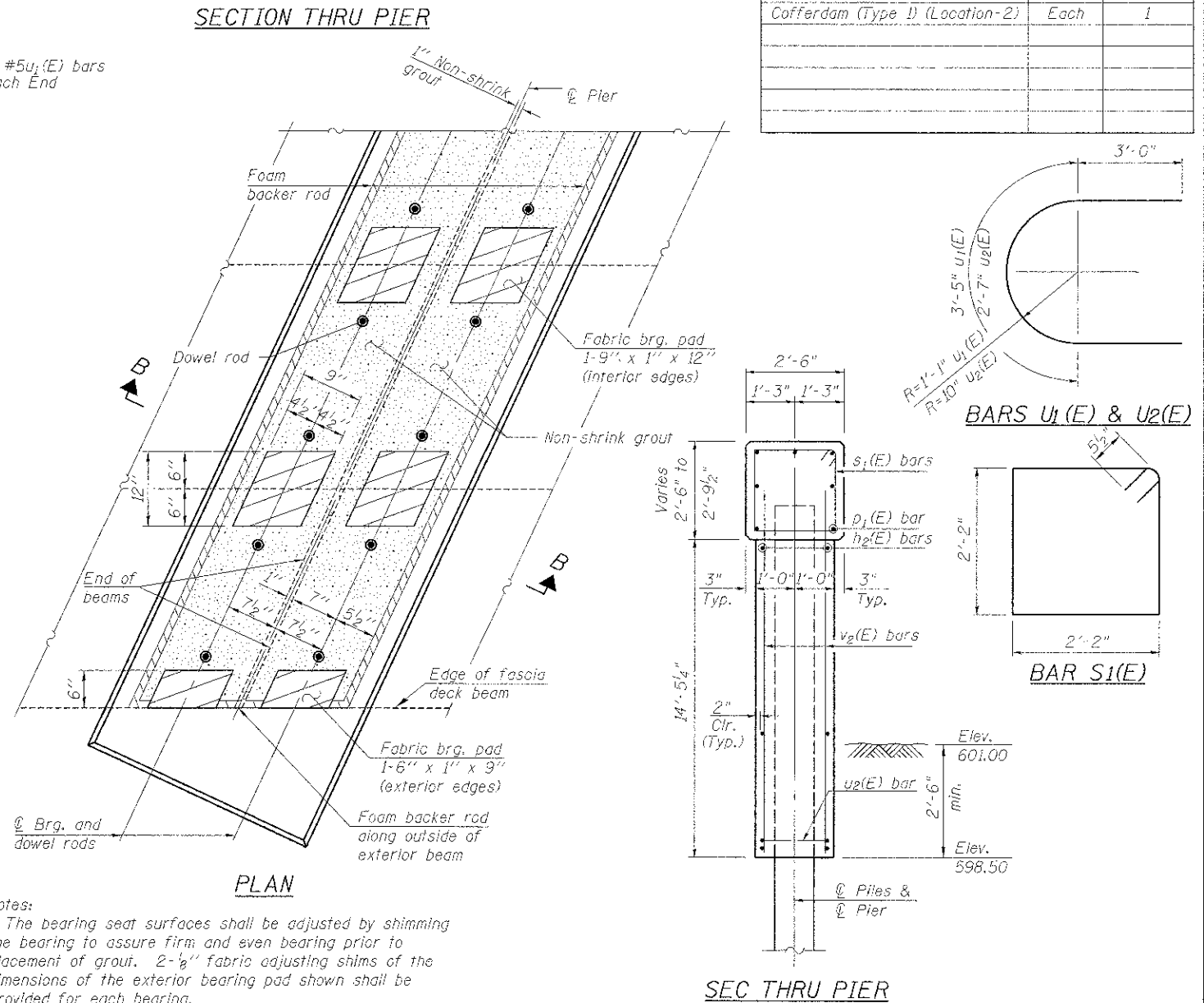
NOTES
 Space reinforcement bars in cap to miss dowel rods. See Sheet 8 of 10 for details of piles and concrete encasement.



** Dowel Rods to be grouted after beams are in place and allowed to cure (Min. 24 hrs.) prior to grouting the shear keys. Cost shall be included in the cost of Precast Prestressed Concrete Deck Beams. (17" Depth)

**TWO PIERS
 BILL OF MATERIAL**

BAR	NO.	SIZE	LENGTH	SHAPE
$h_2(E)$	64	#5	33'-6"	
$p_1(E)$	14	#7	33'-6"	
$s_1(E)$	64	#4	9'-7"	
$u_1(E)$	12	#5	9'-5"	
$u_2(E)$	64	#5	8'-7"	
$v(E)$	148	#5	15'-10"	
			Cu. Yd.	92.4
Concrete Structures			Pound	6,740
Reinforcement Bars, Epoxy Coated			Foot	472
Furnishing Metal Shell Piles 12" x 0.25"			Each	1
Driving Piles			Cu. Yd.	81
Test Pile, Metal Shells			Each	1
Cofferdam Excavation			Each	1
Cofferdam (Type 1) (Location-1)			Each	1
Cofferdam (Type 1) (Location-2)			Each	1



Notes:
 The bearing seat surfaces shall be adjusted by shimming the bearing to assure firm and even bearing prior to placement of grout. 2-1/2" fabric adjusting shims of the dimensions of the exterior bearing pad shown shall be provided for each bearing.



FILE NAME: J:\09029\CADD\CAD\hust\011-3417\081118-09029-5ht-Piers.dgn	DESIGNED - NIEWINSKI	REVISED - AH 4/20/11
USER NAME: amenda	CHECKED - TRELLO	REVISED - AH 9/09/11
PLOT SCALE: 1/8" = 1'-0"	DRAWN - VERENSKI	REVISED -
PLOT DATE: 12/15/2011	CHECKED - TRELLO	REVISED -

**STATE OF ILLINOIS
 DEPARTMENT OF TRANSPORTATION**

**PIERS 1 & 2
 STRUCTURE NO. 011-3417**

T.R. RTE. 307A	SECTION 08-C4118-00-BR	COUNTY CHRISTIAN	TOTAL SHEETS 26	SHEET NO. 15
CONTRACT NO. 93567			ILLINOIS FED. AID PROJECT: BR05-0021 (175)	