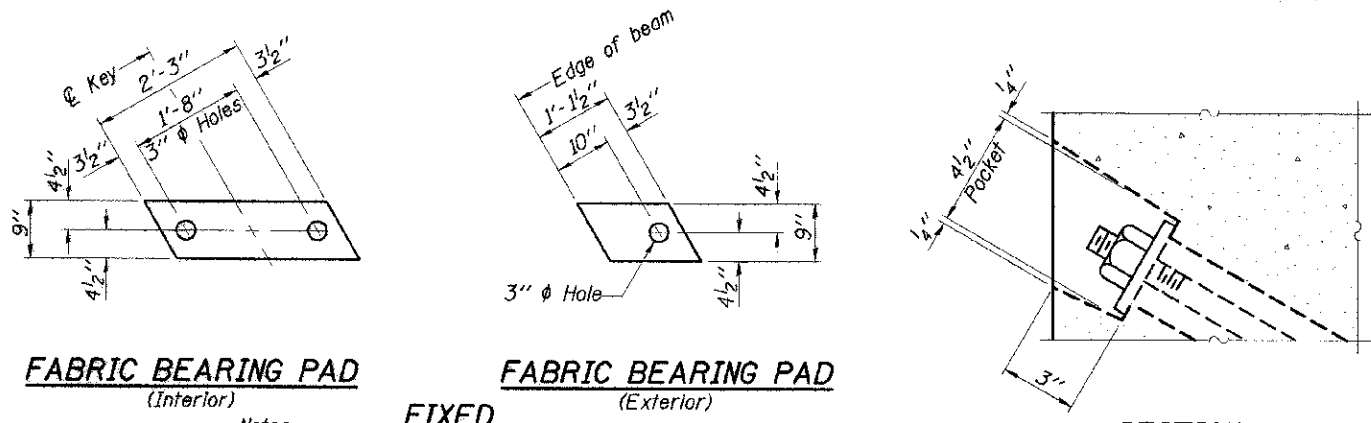


ROUTE	SECTION	COUNTY	TOTAL SHEETS	SHEET NO.
T.R. 283	10-15110-00-BR	EFFINGHAM	15	7
CONTRACT NO. 95665		ILLINOIS	PROJECT BROS-0049(159)	

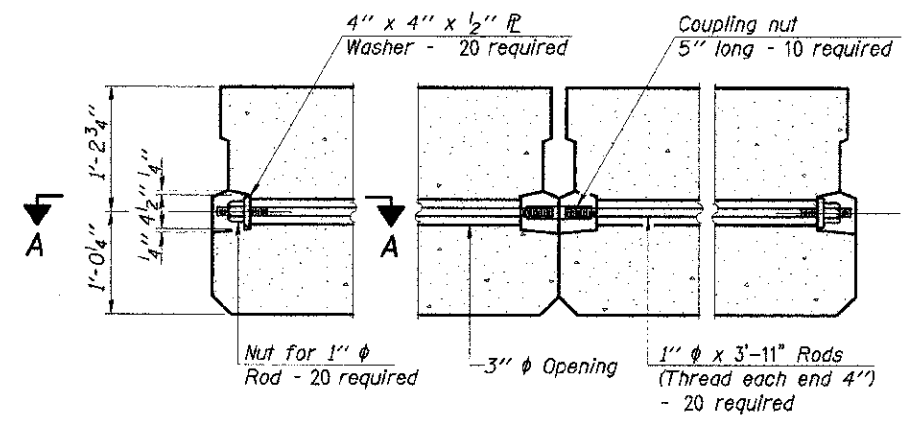


FABRIC BEARING PAD
(Interior)

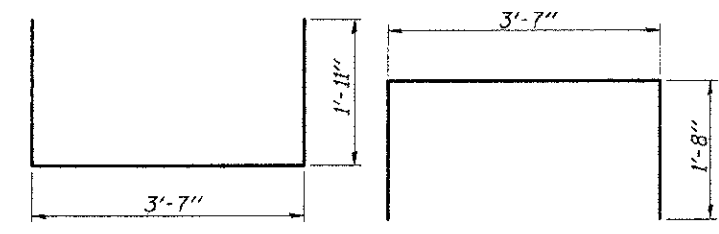
FABRIC BEARING PAD
(Exterior)

SECTION A-A

Notes:
FIXED
 All bearing pads shall be 1" thick.
 Omit holes when using expansion bearings.
 Expansion bearing pad shall be bonded to the substructure.

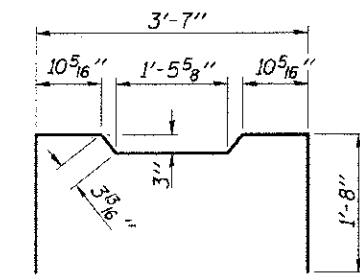


TYPICAL TRANSVERSE TIE ASSEMBLY

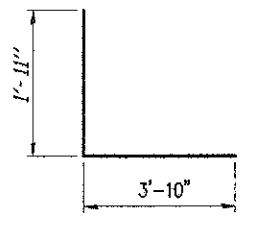


BAR S1(E)

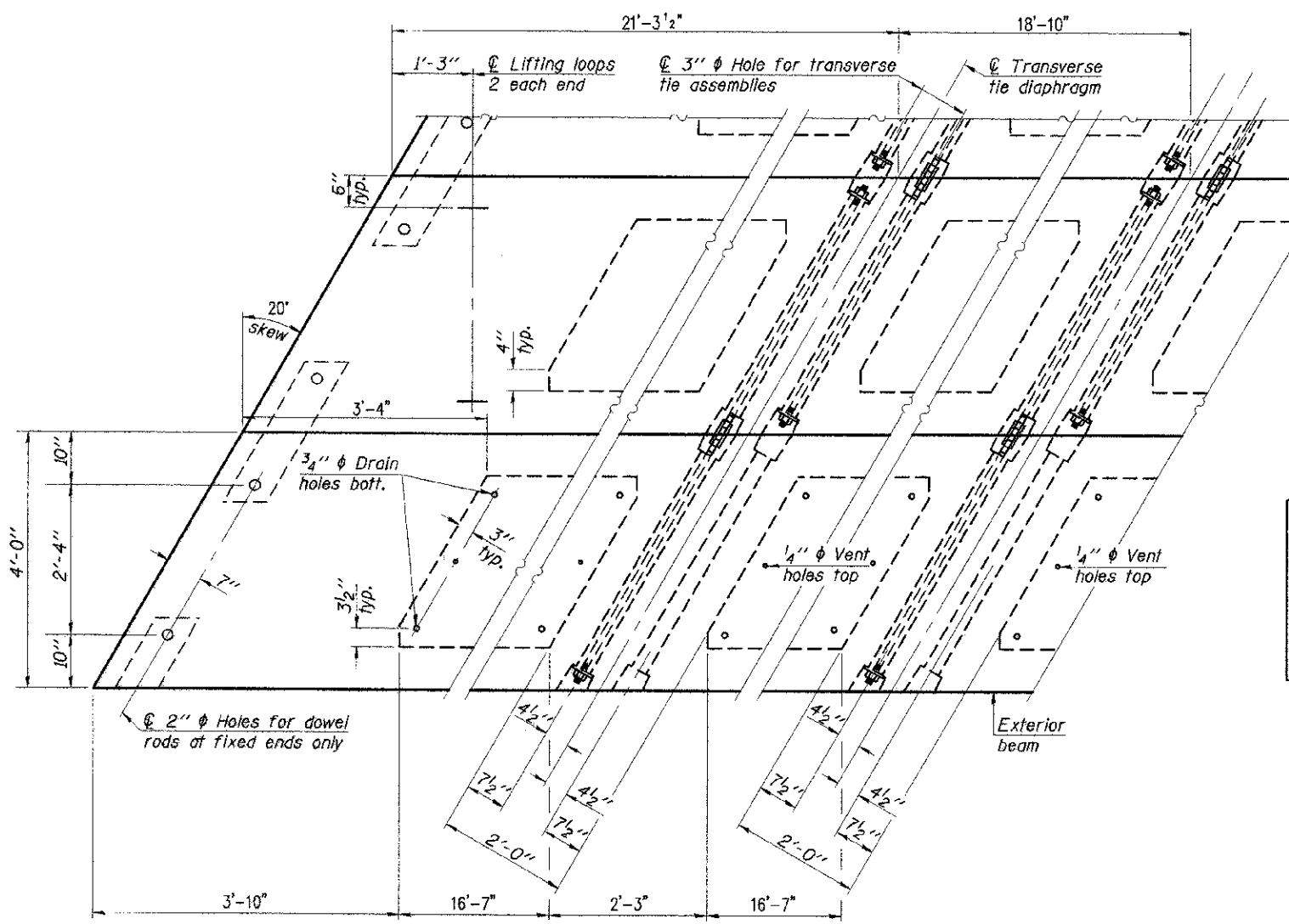
BAR S2(E)



BAR S3(E)



BAR S4(E)

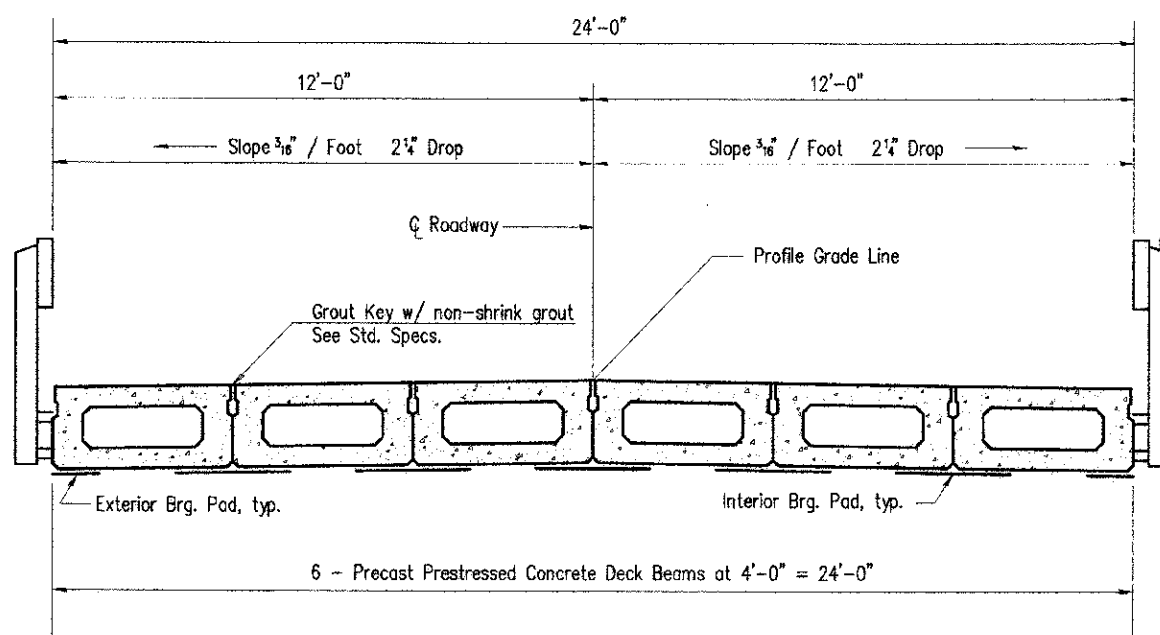


PLAN VIEW

NOTES

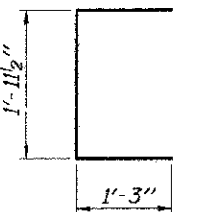
Prestressing steel shall be uncoated high strength, low relaxation 7-wire strand, Grade 270. The nominal diameter shall be 1/2" and the nominal cross-sectional area shall be 0.153 sq. in. The 1" diameter rods in the transverse tie assembly shall be tightened to a snug fit and the threads set. Pockets on exterior faces of bridge shall be filled with grout after transverse tie assembly is in place.
 Reinforcement bars shall conform to ASTM A 706, Grade 60. (See Special Provisions).
 Two 1/8" fabric adjusting shims of the dimensions of the exterior bearing pad shall be provided for each bearing pad location.
 A minimum 2 1/2" diameter lifting pin shall be used to engage the lifting loops during handling.
 Corrosion Inhibitor, per Article 1020.05(b)(12) and 1021.06 of the Standard Specifications, shall be used in the concrete for precast prestressed concrete deck beams.
 Compressive strength of prestressed concrete, f'c, shall be 6000 psi.
 Compressive strength of prestressed concrete at release, f'ci, shall be 5000 psi.

Note: Connect beams in pairs with the transverse tie configuration shown.

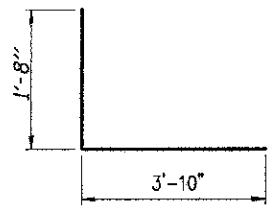


CROSS SECTION

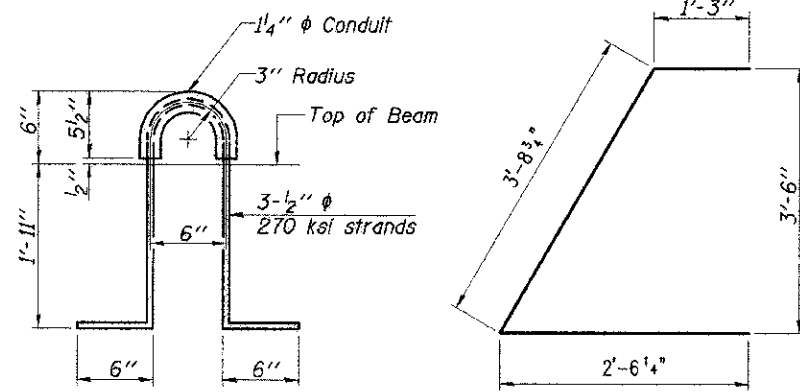
Steel Bridge Rail, Type S-1, See Sheet 8 of 15 for complete details



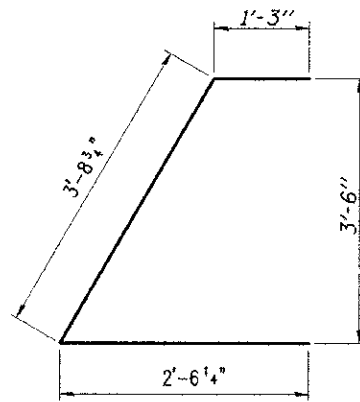
BAR U1(E)



BAR U2(E)



LIFTING LOOP DETAIL



BAR U3(E)

BILL OF MATERIAL

Precast Prestressed Conc. Deck Bms. (27" depth)	Sq. Ft.	1474
---	---------	------

CHARLESTON ENGINEERING, INC.
 CONSULTING ENGINEERS
 105 NORTH KITCHELL
 P.O. BOX 357
 OLNEY, ILLINOIS 62450
 (618) 392-0799
ILLINOIS DEPARTMENT OF PROFESSIONAL REGULATION REGISTRATION #184 003513

SUPERSTRUCTURE DETAILS

STRUCTURE NO. 025-3322
T.R. 283
OVER LIMESTONE CREEK

SECTION 10-15110-00-BR
EFFINGHAM COUNTY
STATION 2+02.00