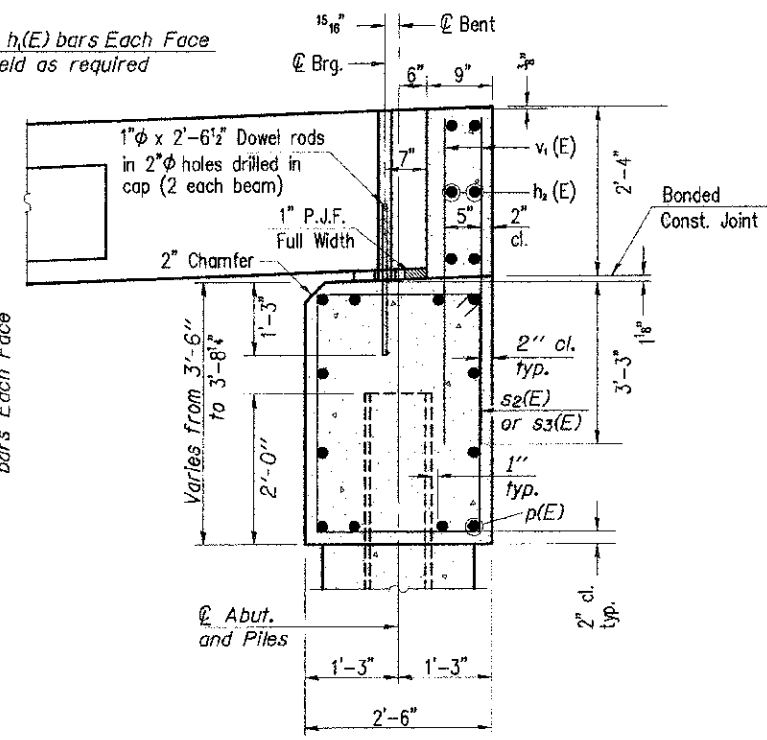


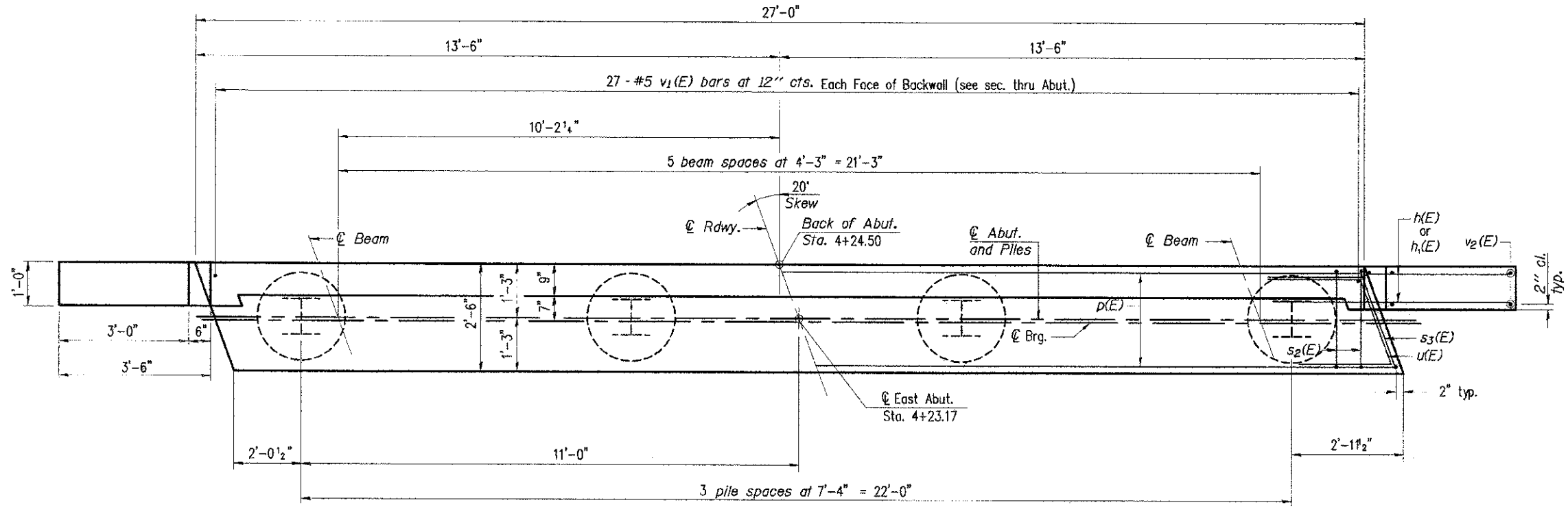
ELEVATION



SEC. THRU ABUT.
(At Right Angles)

BILL OF MATERIAL

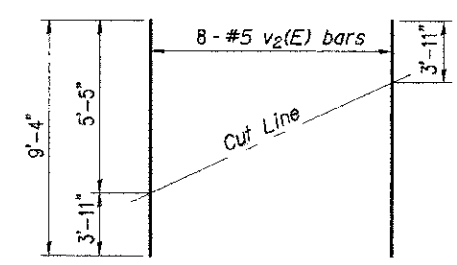
Bar	No.	Size	Length	Shape
h(E)	20	#4	5'-0"	—
h1(E)	12	#4	5'-3"	—
h2(E)	6	#4	26'-8"	—
p(E)	12	#7	26'-8"	—
s2(E)	30	#4	11'-5"	□
s3(E)	2	#4	11'-8"	□
u(E)	10	#6	11'-3"	┘
v1(E)	54	#5	5'-5"	—
v2(E)	8	#5	9'-4"	—
Concrete Structures			Cu. Yd.	12.3
Reinforcement Bars, Epoxy Coated			Pound	1670
Furnishing Steel Piles HP 10 X 42			Foot	180
Driving Piles			Foot	180
Concrete Encasement			Cu. Yd.	1.4



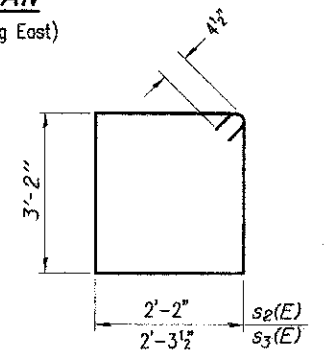
PLAN
(Looking East)

PILE DATA

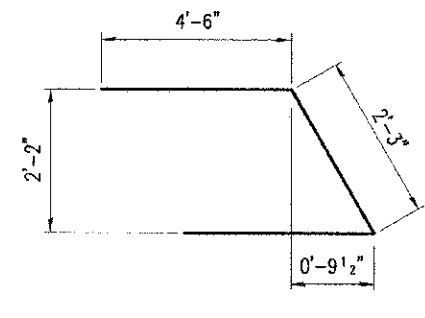
Type: HP 10 X 42
 Nominal Required Bearing: 334 kips
 Factored Resistance Available: 184 kips
 Est. Length: 45 Feet
 No. Production Piles: 4
 No. Test Piles: 0



FIELD CUTTING DIAGRAM
 Order v2(E) full length. Cut as shown and use remainder of bars in opposite face.



BARS s2(E) & s3(E)



BAR u(E)

- Notes:
1. The Backwall and the portion of the Wingwalls above the bonded construction joint shall be cast against the in-place beam.
 2. Space reinforcement in cap to miss anchor bolts.

For details of piles see sheet 11 of 15.

CHARLESTON ENGINEERING, INC.
 CONSULTING ENGINEERS
 105 NORTH KITCHELL
 P.O. BOX 397
 OLNEY, ILLINOIS 62450
 (815) 392-0738
ILLINOIS DEPARTMENT OF PROFESSIONAL REGULATION REGISTRATION #184.002513

EAST ABUTMENT DETAILS
 STRUCTURE NO. 025-3322
 T.R. 283
 OVER LIMESTONE CREEK

SECTION 10-15110-00-BR
 EFFINGHAM COUNTY
 STATION 3+93.00