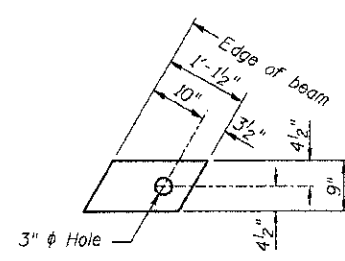


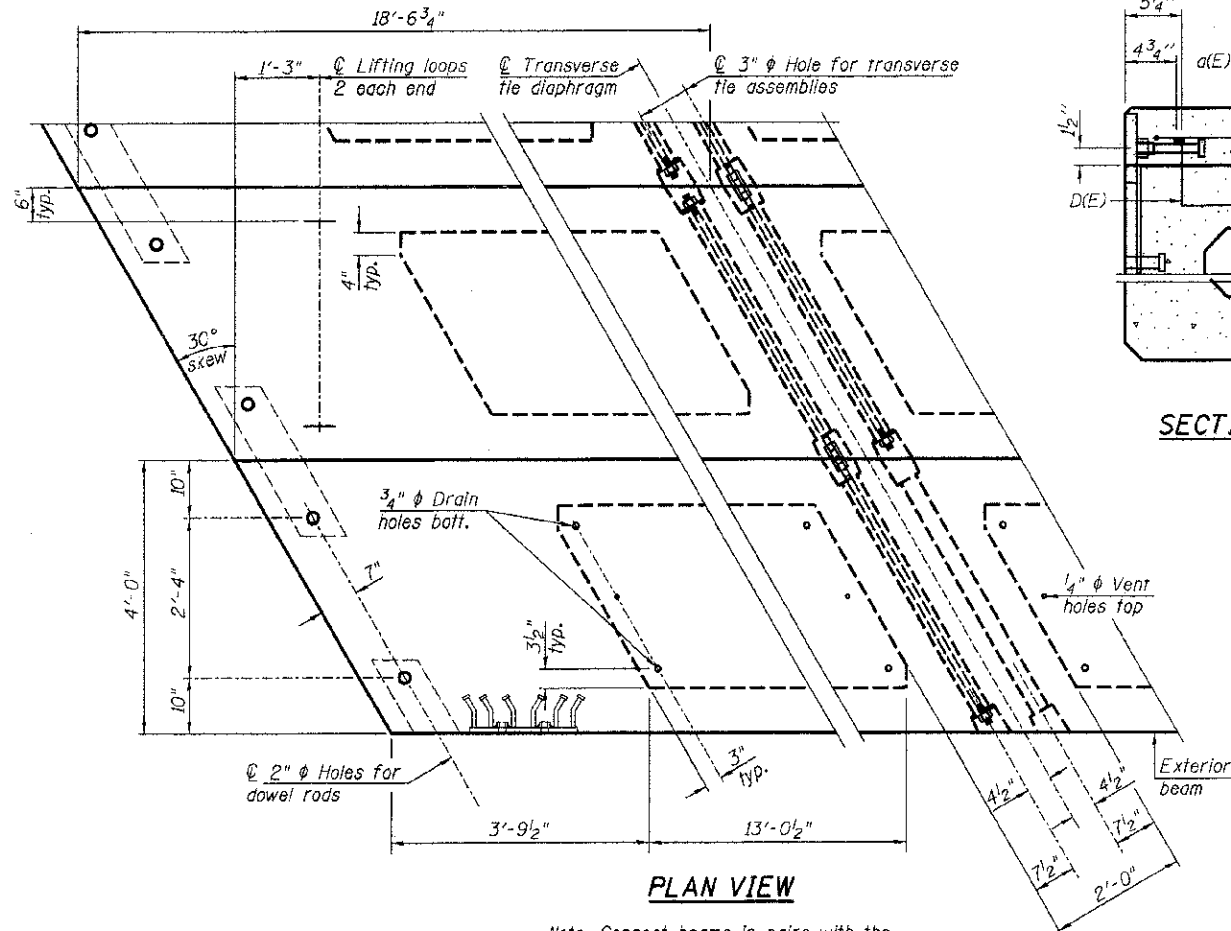
FABRIC BEARING PAD
(Interior)



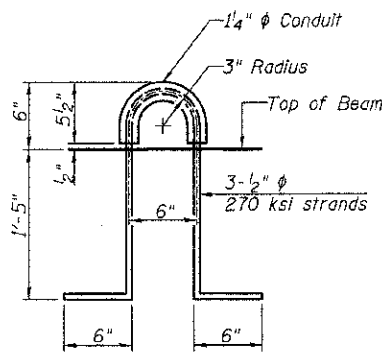
FABRIC BEARING PAD
(Exterior)

FIXED

Notes: All bearing pads shall be 1" thick.

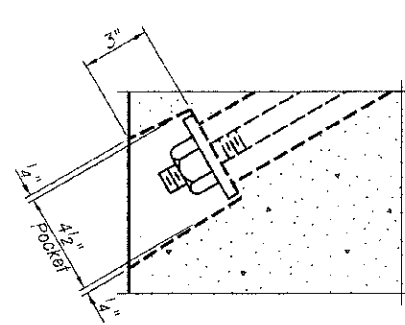


PLAN VIEW

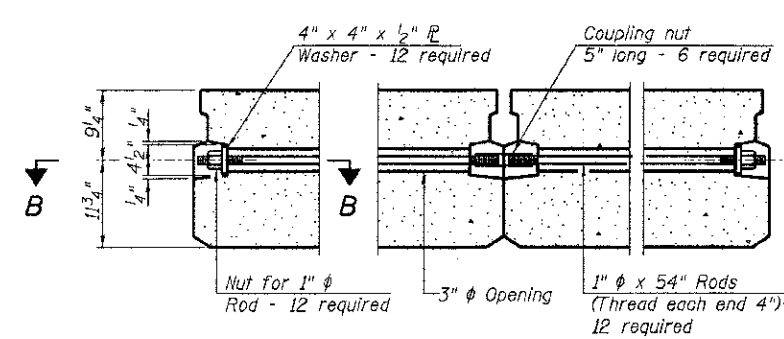


LIFTING LOOP DETAIL

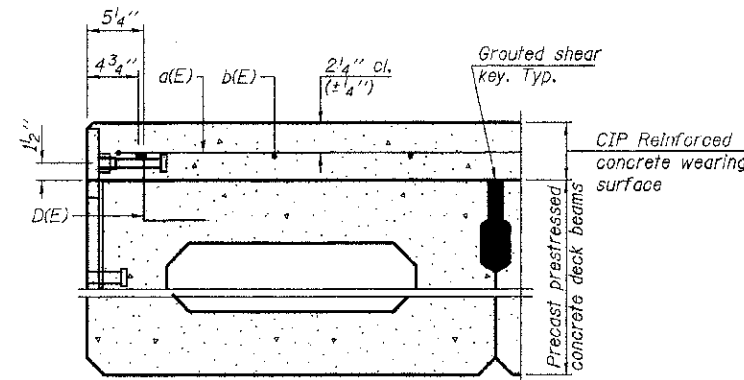
Note: Connect beams in pairs with the transverse tie configuration shown.



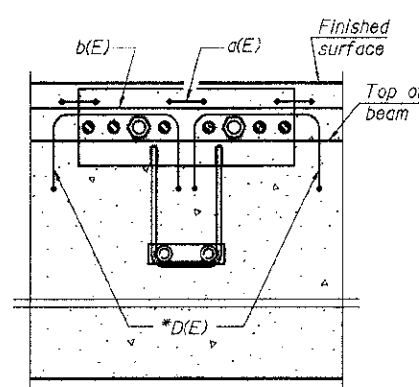
SECTION B-B



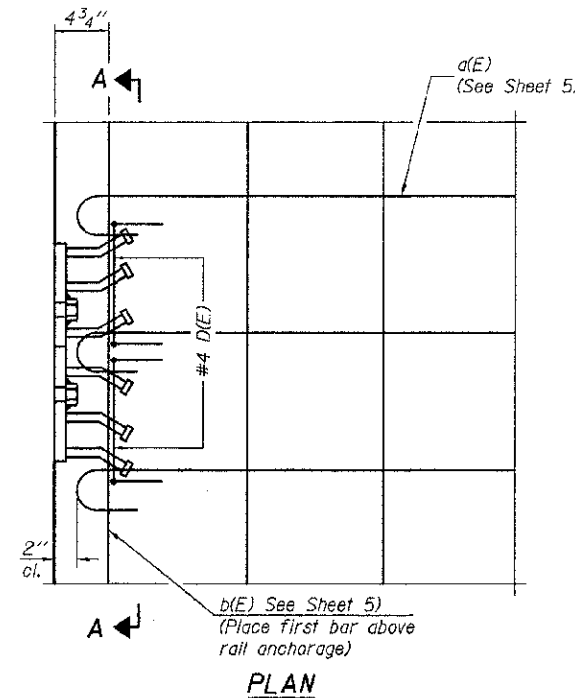
TYPICAL TRANSVERSE TIE ASSEMBLY



SECTION THRU FASCIA BEAM

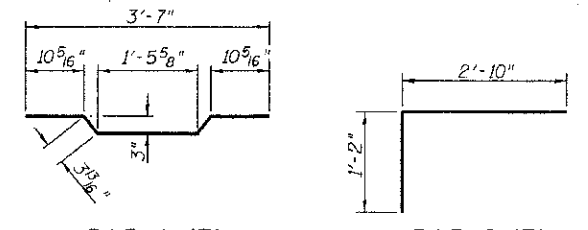


SECTION A-A



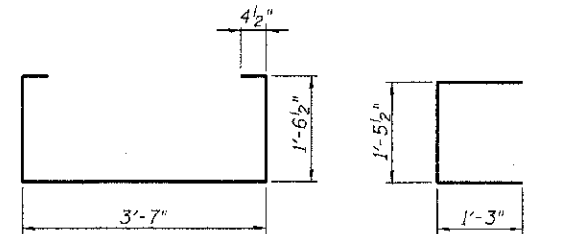
PLAN

Notes:
Formwork necessary for the wearing surface may be secured utilizing the bottom rail anchorage inserts and/or additional inserts cast into the beam.



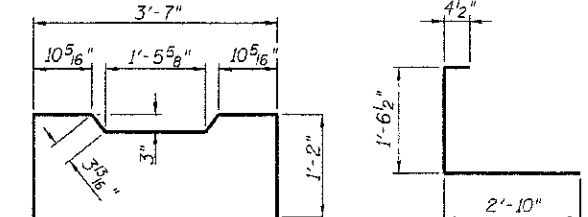
BAR A1(E)

BAR S4(E)



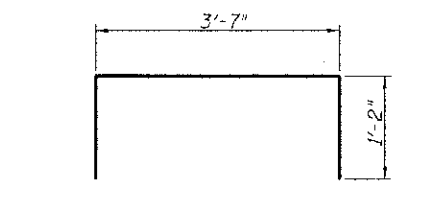
BAR S(E)

BAR U(E)

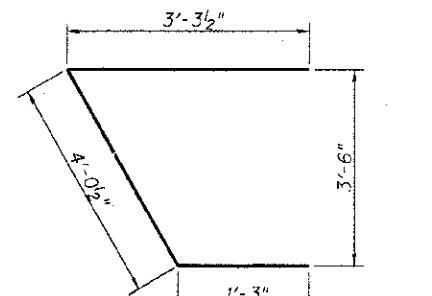


BAR S2(E)

BAR S3(E)



BAR S1(E)



BAR U1(E)

BILL OF MATERIAL

Precast Prestressed Conc. Deck Bms. (21" depth)	Sq. Ft.	1040
---	---------	------

NOTES

- Prestressing steel shall be uncoated high strength, low relaxation 7-wire strand, Grade 270. The nominal diameter shall be 1/2" and the nominal cross-sectional area shall be 0.153 sq. in.
- The 1" rods in the transverse tie assembly shall be tightened to a snug fit and the threads set. Pockets on exterior faces of bridge shall be filled with grout after transverse tie assembly is in place.
- Reinforcement bars shall conform to ASTM A 706, Grade 60.
- Two 1/8" fabric adjusting shims of the dimensions of the exterior bearing pad shall be provided for each bearing pad location.
- A minimum 2 1/2" lifting pin shall be used to engage the lifting loops during handling.
- Corrosion Inhibitor, per Article 1020.05(b)(12) and 1021.06 of the Standard Specifications, shall be used in the concrete for precast prestressed concrete deck beams.
- Compressive strength of prestressed concrete, f'c, shall be 6000 psi.
- Compressive strength of prestressed concrete at release, f'ci, shall be 5000 psi.

DESIGNED - WDL	REVISED -
DRAWN - JN	REVISED -
CHECKED - WDL	REVISED -
DATE - 05/29/2012	REVISED -

ROUTE	SECTION	COUNTY	TOTAL SHEETS	SHEET NO.
CH 28	12-00124-00-BR	FAYETTE	12	7
CONTRACT NO. 95691				
RAAI JOB NO. 51312 ILLINOIS FED. AID PROJECT				