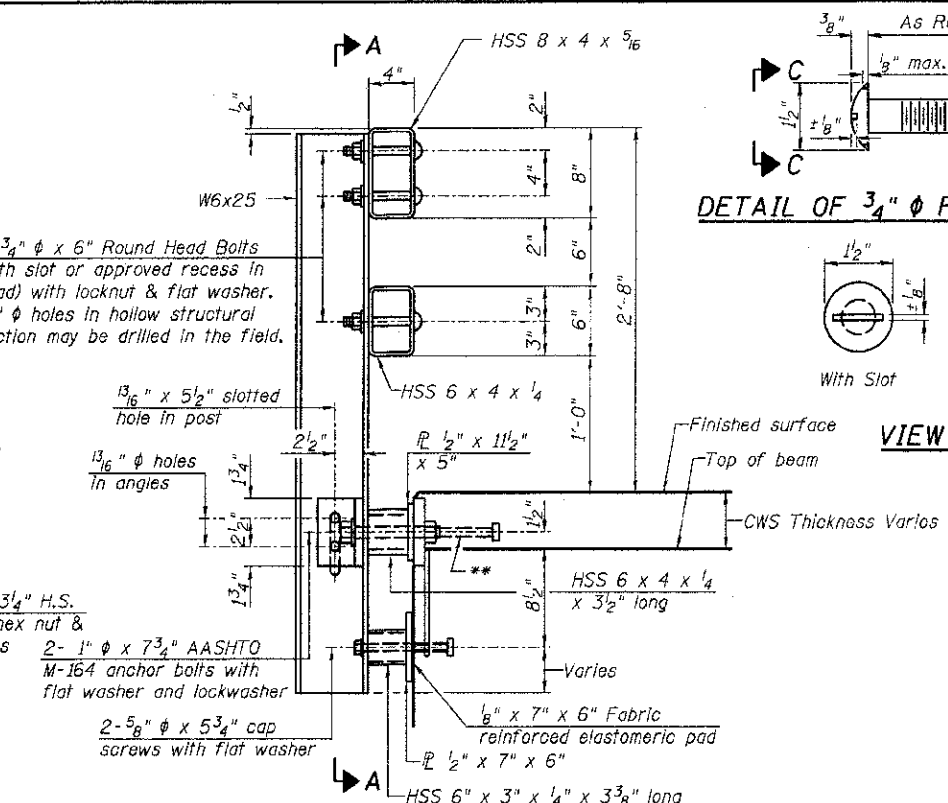
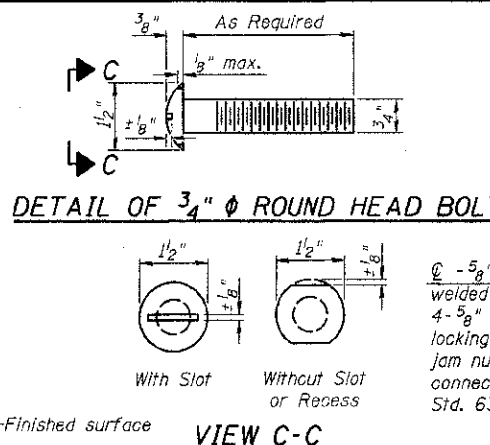


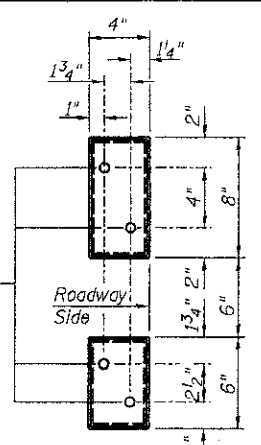
**SECTION A-A**



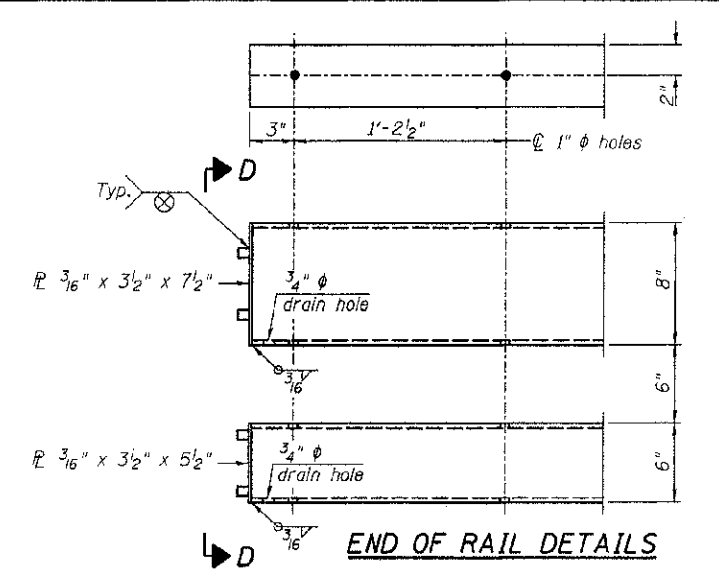
**SECTION AT RAIL POST**



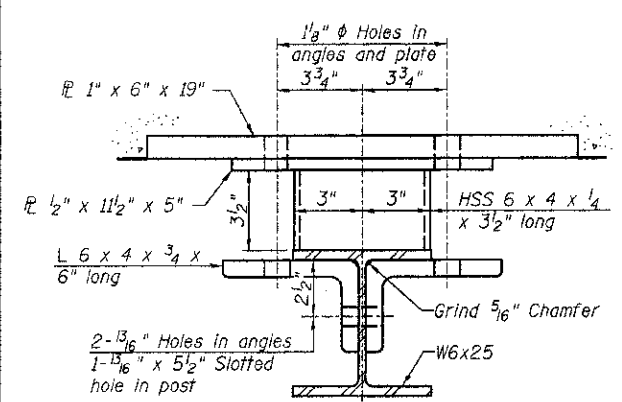
**DETAIL OF 3/4"  $\phi$  ROUND HEAD BOLT**



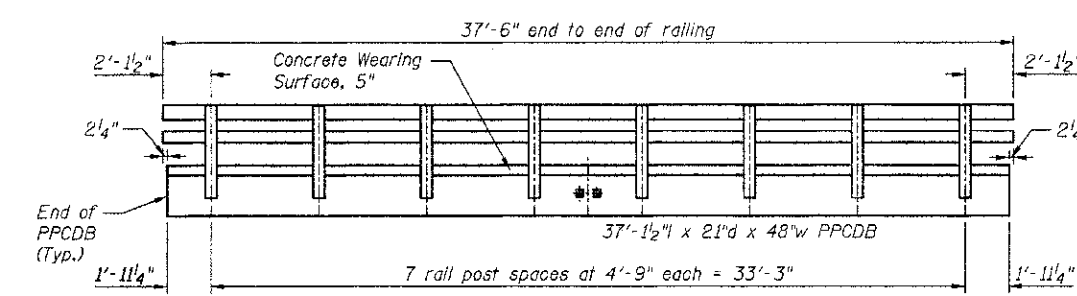
**VIEW D-D**



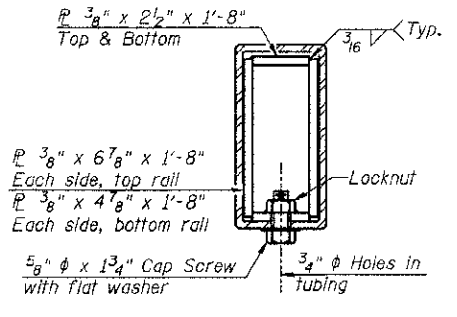
**END OF RAIL DETAILS**



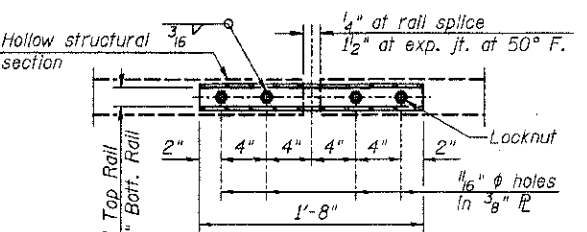
**SECTION B-B**



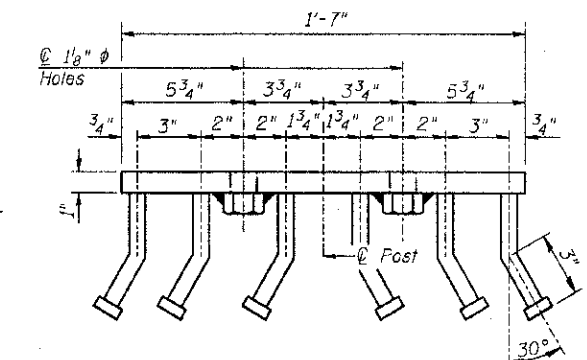
**RAIL POST SPACING**



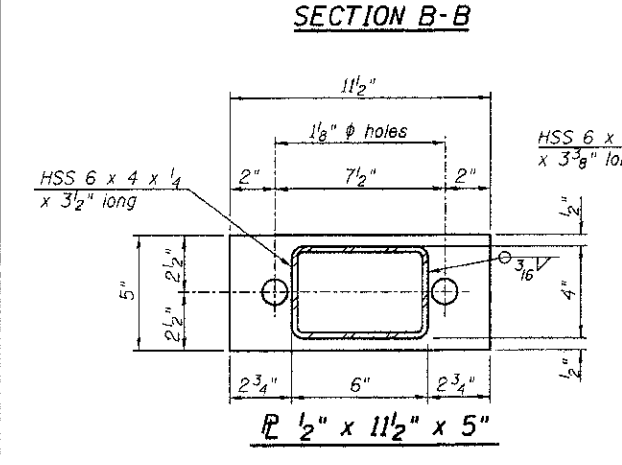
**SECTION AT RAIL SPLICE**



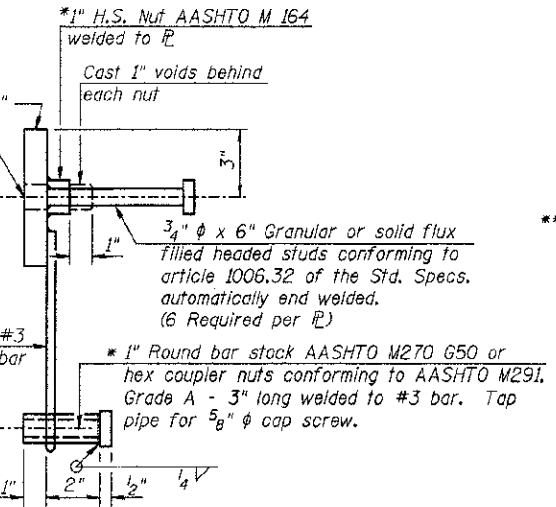
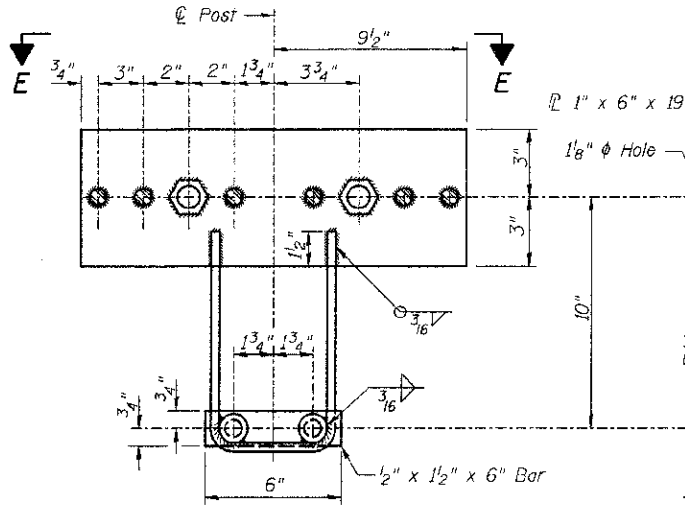
**PLAN-BOTT. SPLICE P TYPICAL**



**VIEW E-E**



**ANCHOR DEVICE**



Notes:  
 All field drilled holes shall be coated with an approved zinc rich paint before erection.  
 Steel rail elements shall be galvanized according to Article 509.05 of the Standard Specifications.  
 \*\* The studs of the anchor devices shall be placed below the top reinforcement bars and the outermost longitudinal reinforcement bar shall be placed directly above the studs of the rail post anchor device. See Sheet for detail.

**BILL OF MATERIAL**

Item	Unit	Quantity
Steel Railing, Type SM	Foot	75

(6'-3" Maximum Post Spacing) (5" minimum to 7 1/8" maximum CWS thickness)

**RHUTASEL and ASSOCIATES, INC.**  
 CONSULTING ENGINEERS • LAND SURVEYORS  
 CENTRALIA, ILLINOIS  
 ILLINOIS DESIGN FIRM LICENSE NO. 184-000287

DESIGNED - WDL	REVISED -
DRAWN - JN	REVISED -
CHECKED - WDL	REVISED -
DATE - 05/29/2012	REVISED -

**STATE OF ILLINOIS**  
**DEPARTMENT OF TRANSPORTATION**

**STEEL RAILING, TYPE SM WITH CONCRETE WEARING SURFACE**  
**STRUCTURE NO. 026-3001**

ROUTE	SECTION	COUNTY	TOTAL SHEETS	SHEET NO.
CH 28	12-00124-00-BR	FAYETTE	12	8
RAAI JOB NO. 51312			ILLINOIS FED. AID PROJECT	
			CONTRACT NO. 95691	