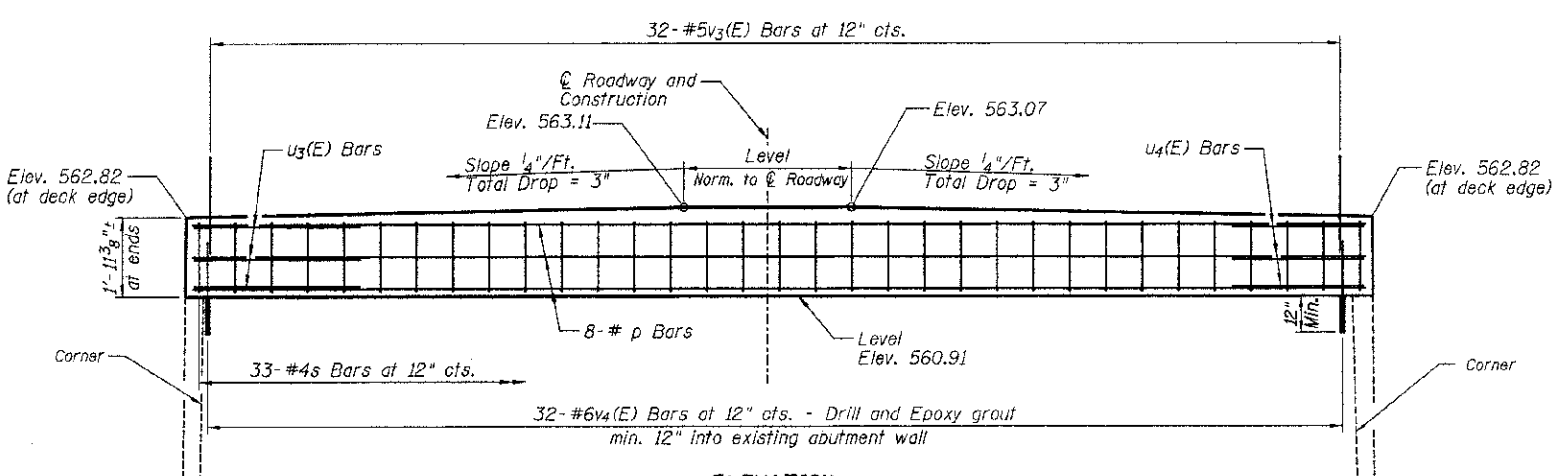
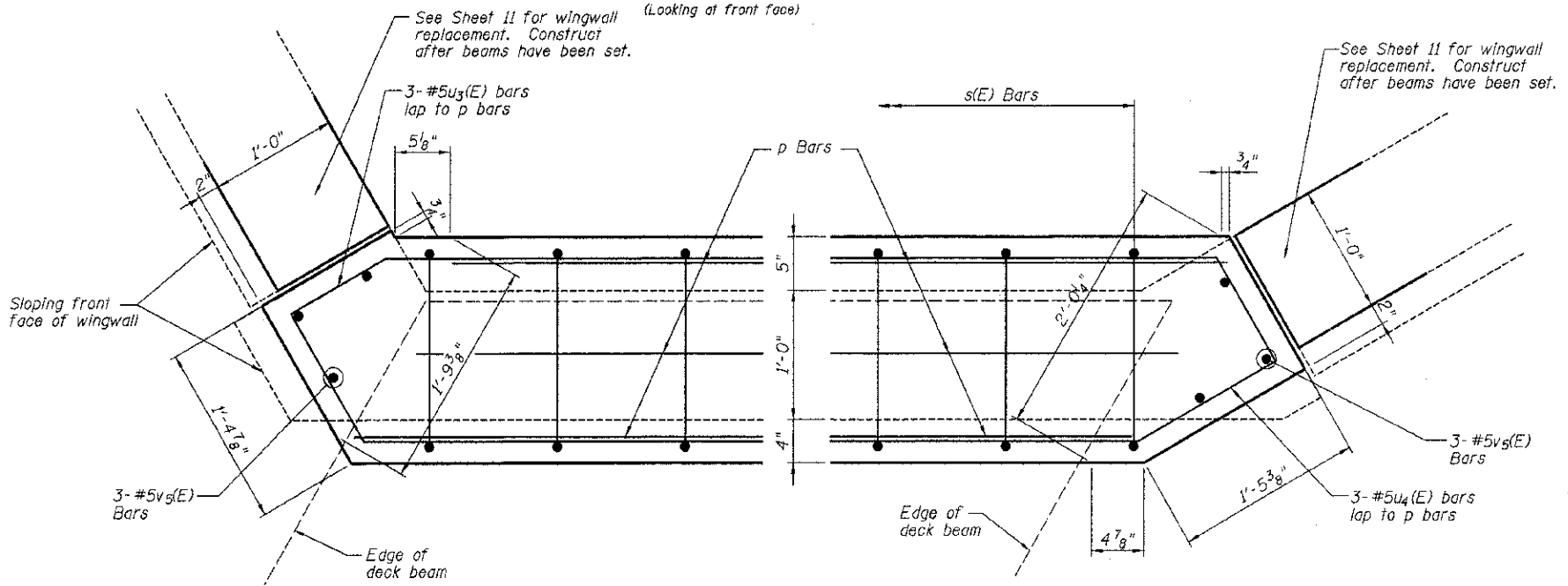


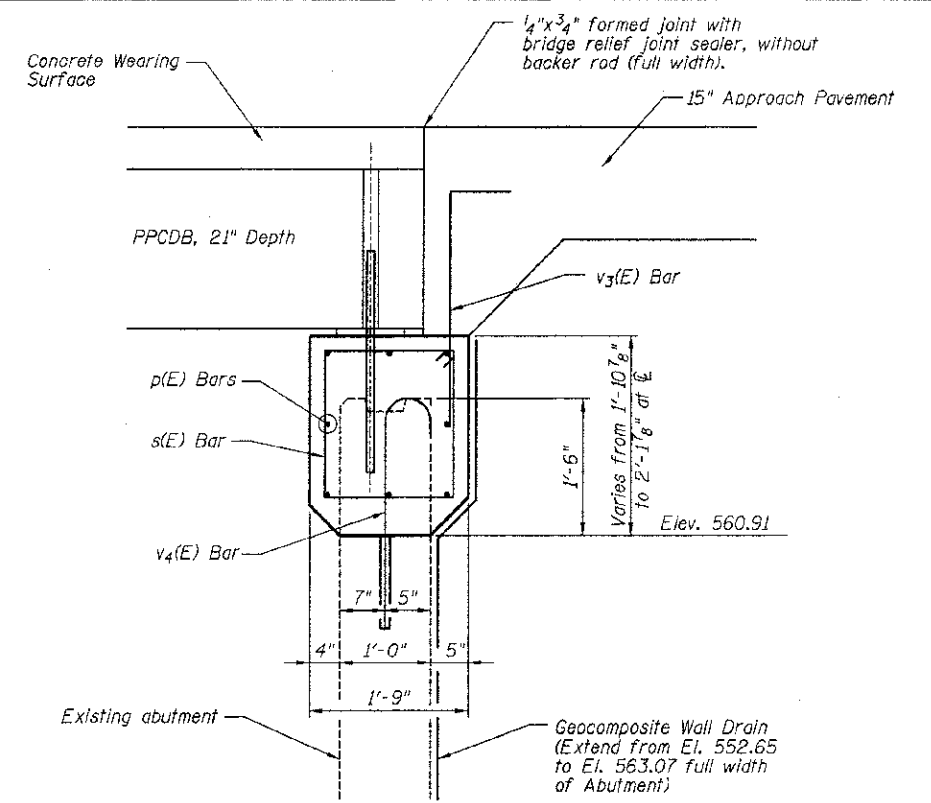
PLAN



ELEVATION
(Looking at front face)



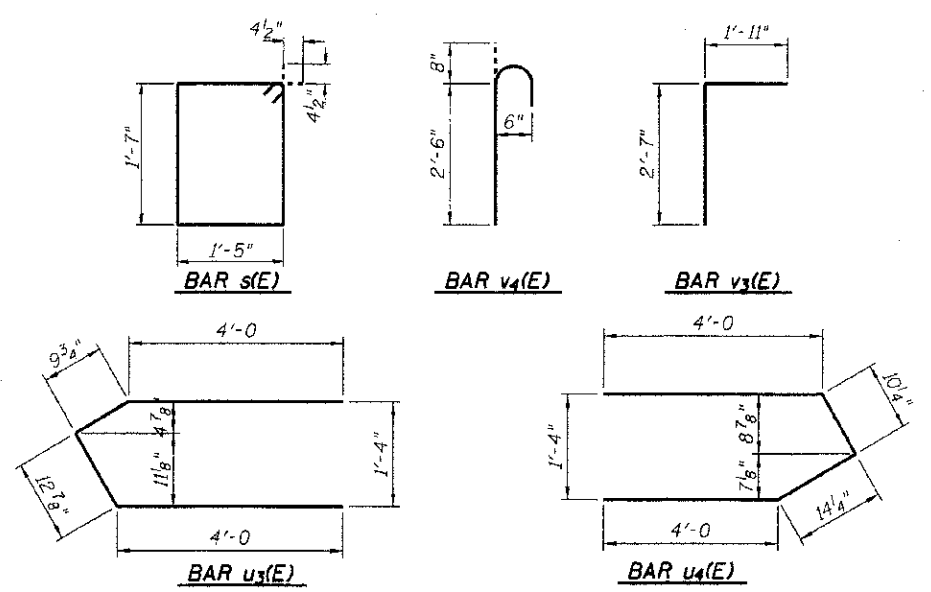
CORNER PLAN DETAILS



SECTION THRU ABUTMENT CAP

NOTES

- See Sheet 11 for Bill of Material
- All exposed edges shall have standard 3/4" chamfer, unless otherwise noted.
- Reinforcement bars shall conform to ASTM A 706 (11 Modified), Grade 60.
- All clearances between rebar and form surface shall be 2", unless otherwise noted.
- Space reinforcement in cap to miss PPCDB dowel rods.
- Existing reinforcement shall be cleaned and incorporated into the new construction. Cost included with Concrete Removal.



RHUTASEL and ASSOCIATES, INC.
CONSULTING ENGINEERS • LAND SURVEYORS
CENTRALIA, ILLINOIS FREEBURG, ILLINOIS
ILLINOIS DESIGN FIRM LICENSE NO. 184-000287

DESIGNED - WDL	REVISED -
DRAWN - JN	REVISED -
CHECKED - WDL	REVISED -
DATE - 05/29/2012	REVISED -

STATE OF ILLINOIS
DEPARTMENT OF TRANSPORTATION

ABUTMENT CONCRETE REPLACEMENT
STRUCTURE NO. 026-3001

ROUTE	SECTION	COUNTY	TOTAL SHEETS	SHEET NO.
CH 28	12-00124-00-BR	FAYETTE	12	10
RAAI JOB NO. 51312			ILLINOIS FED. AID PROJECT	
			CONTRACT NO. 95691	