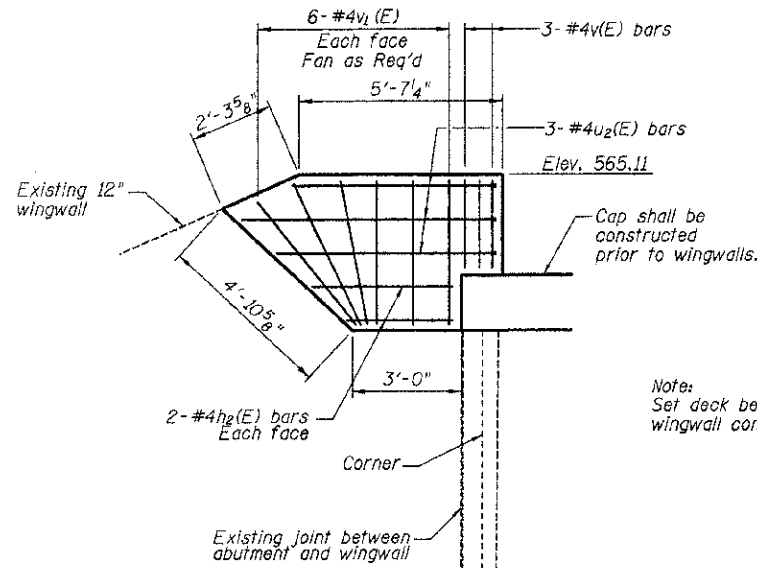
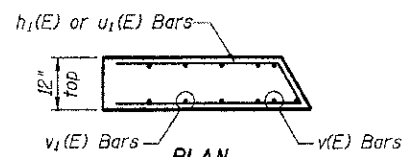


PLAN

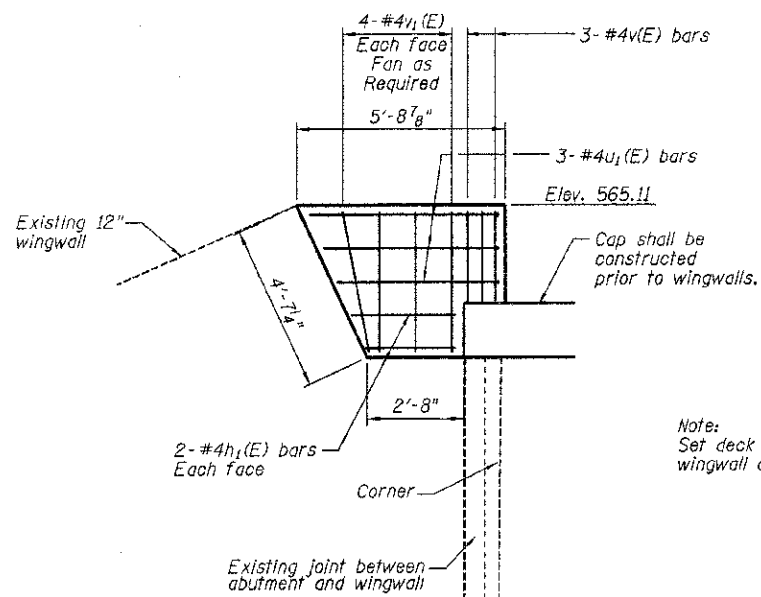


ELEVATION

NORTHWEST WINGWALL

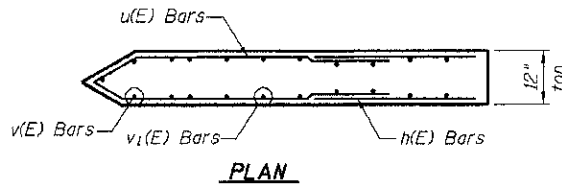


PLAN

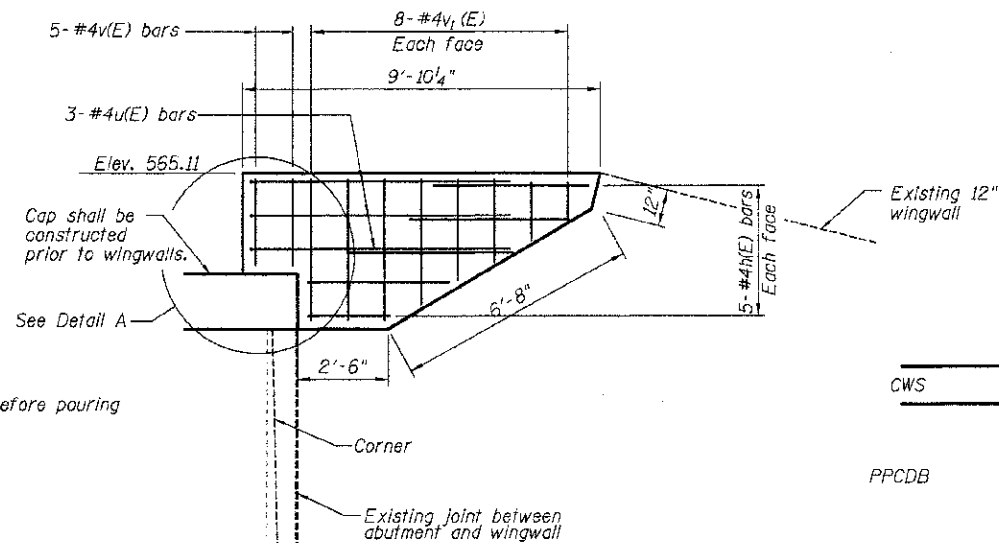


ELEVATION

SOUTHEAST WINGWALL

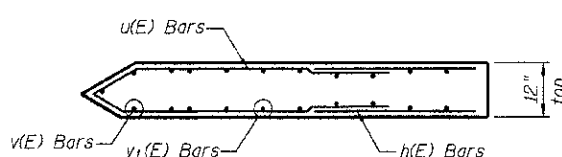


PLAN

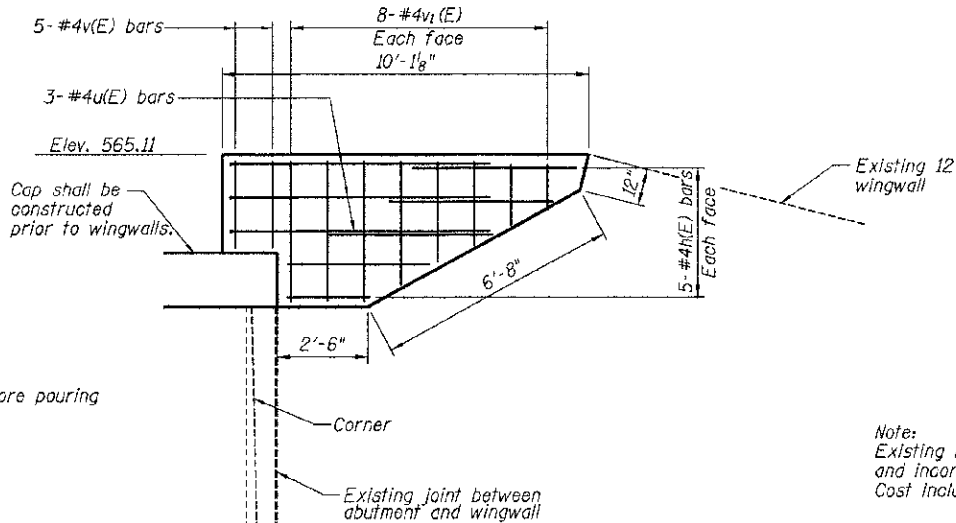


ELEVATION

NORTHEAST WINGWALL

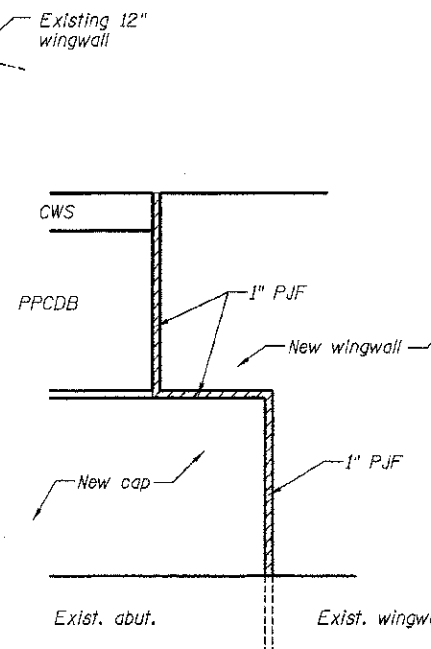


PLAN

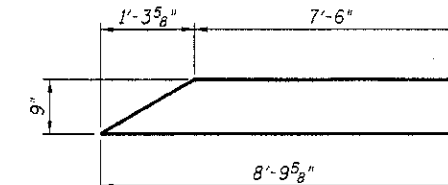


ELEVATION

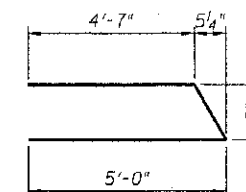
SOUTHWEST WINGWALL



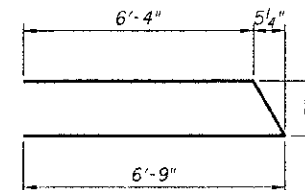
DETAIL A
(Typ. each corner)



BAR U1(E)



BAR U1(E)



BAR U2(E)

BILL OF MATERIAL
TWO ABUTMENTS

Bar	No.	Size	Length	Shape
h	20	#4	4'-6"	TOP IN FIELD
h1	4	#4	2'-10"	TOP IN FIELD
h2	4	#4	4'-0"	TOP IN FIELD
p	16	#7	33'-0"	
s	66	#4	6'-9"	
u	6	#4	17'-10"	TOP IN FIELD
u1	3	#4	10'-5"	TOP IN FIELD
u2	3	#4	13'-11"	TOP IN FIELD
u3	6	#5	9'-11"	TOP IN FIELD
u4	6	#5	10'-1"	TOP IN FIELD
v	16	#4	1'-11"	
v1	52	#4	4'-0"	TOP IN FIELD
v3	64	#5	4'-6"	
v4	64	#6	3'-2"	
v5	12	#5	1'-9"	
Concrete Structures			Cu. Yd.	11.8
Reinforcement Bars			Pound	2490

Note:
Existing reinforcement shall be cleaned and incorporated into the new construction. Cost included with Concrete Removal.