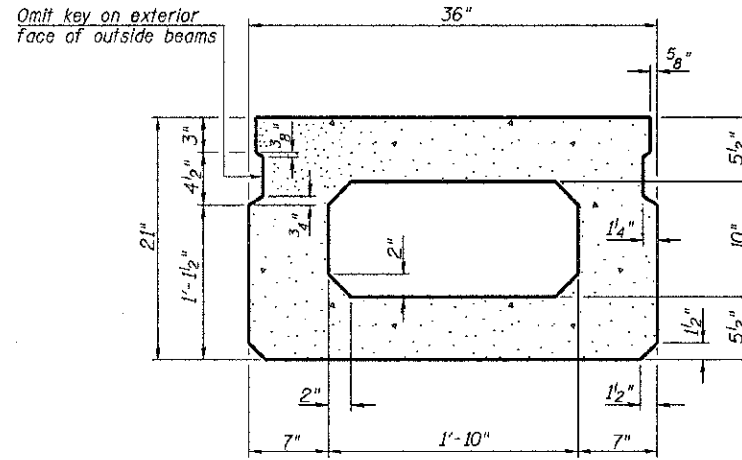
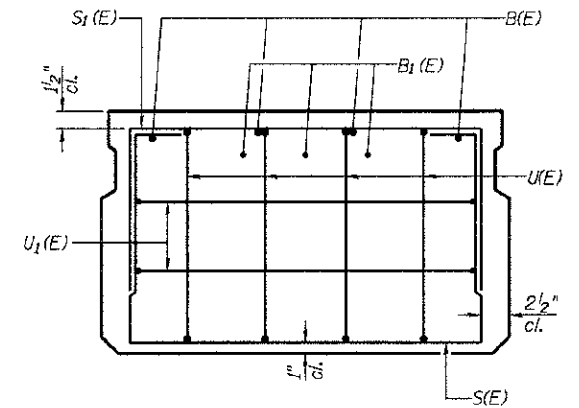


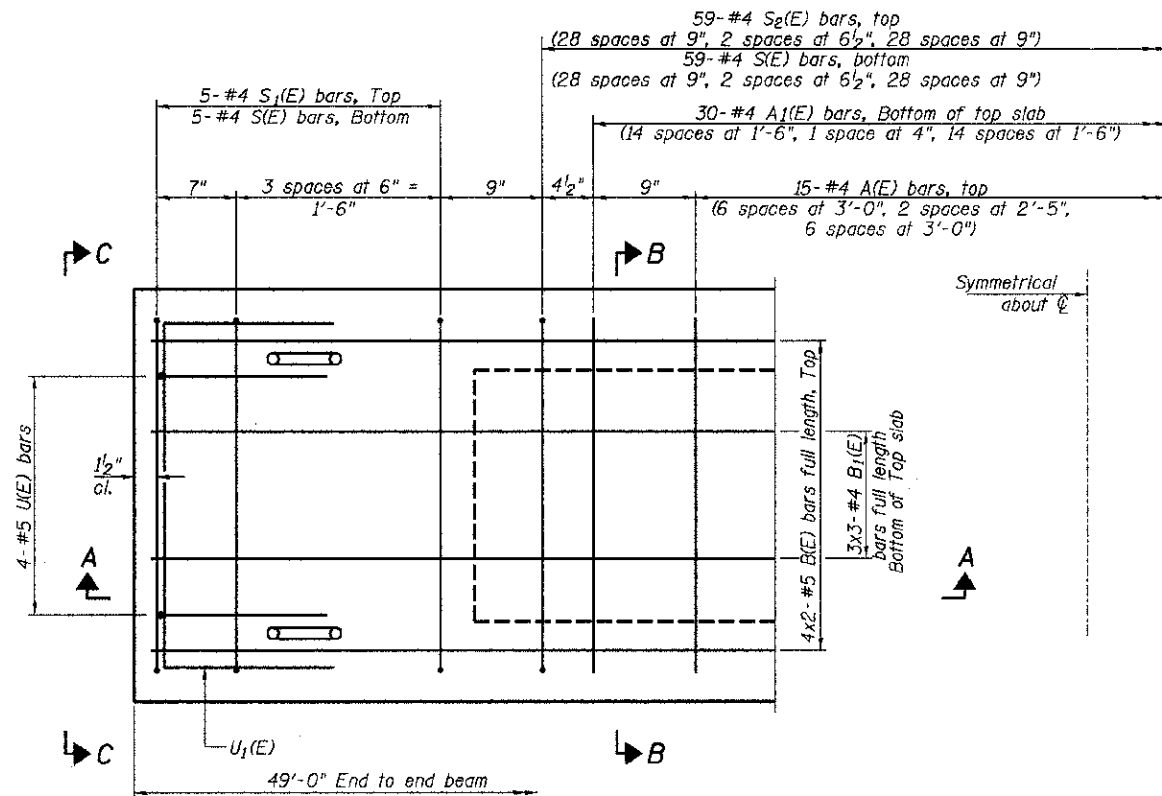
**SECTION A-A**



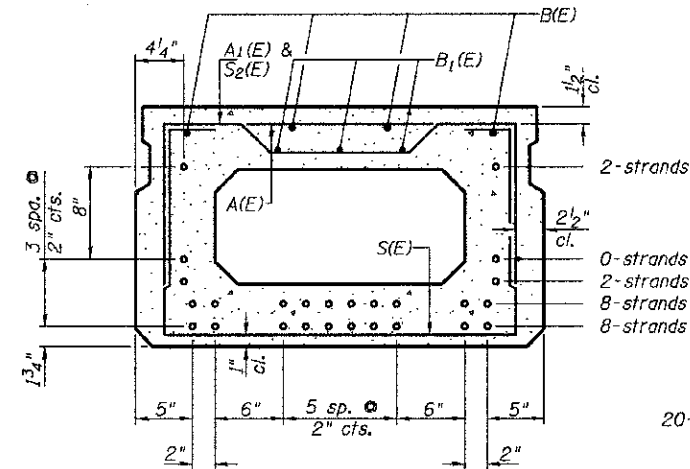
**SECTION B-B**  
(Showing dimensions)



**VIEW C-C**



**PLAN VIEW**



**SECTION B-B**  
(Showing reinforcement and permissible strand locations)

Note: Place the number of strands specified in each row symmetrically about the centerline of beam in the permissible strand locations shown.

**BAR LIST**  
**ONE BEAM ONLY**  
(For information only)

| Bar   | No. | Size | Length | Shape |
|-------|-----|------|--------|-------|
| A(E)  | 15  | #4   | 2'-7"  | —     |
| A1(E) | 30  | #4   | 2'-10" | —     |
| B(E)  | 8   | #5   | 25'-8" | —     |
| B1(E) | 9   | #4   | 17'-7" | —     |
| S(E)  | 69  | #4   | 6'-5"  | □     |
| S1(E) | 10  | #4   | 4'-11" | □     |
| S2(E) | 59  | #4   | 5'-2"  | □     |
| U(E)  | 8   | #5   | 4'-0"  | □     |
| U1(E) | 4   | #4   | 5'-0"  | □     |

Note: See Sheet 6 of 10 for additional details and Bill of Material.

Note: Spacing of S(E) and S2(E) bars may be adjusted up to 4" in the immediate area of the transverse tie diaphragms to miss the block outs for the transverse ties.

**MINIMUM BAR LAP**

#4 bar = 2'-0"  
#5 bar = 2'-6"