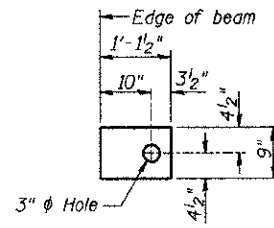


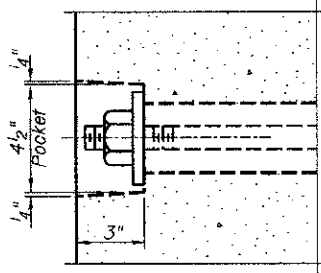
FABRIC BEARING PAD
(Interior)



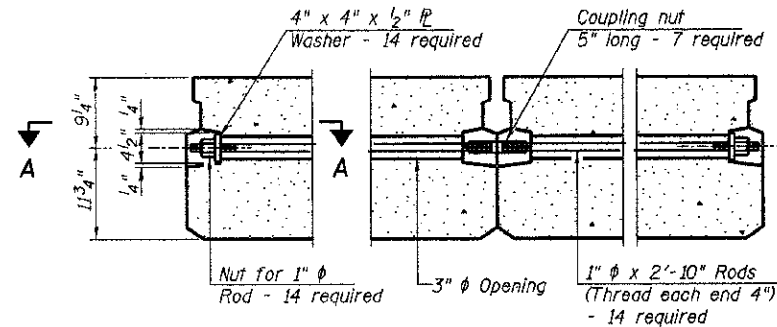
FABRIC BEARING PAD
(Exterior)

FIXED

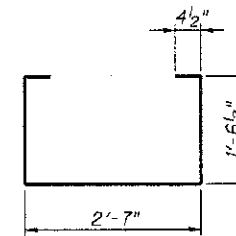
Notes:
All bearing pads shall be 1" thick.



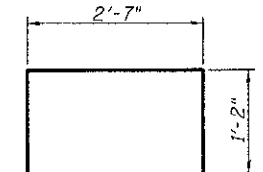
SECTION A-A



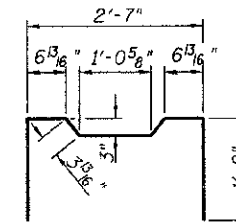
TYPICAL TRANSVERSE TIE ASSEMBLY



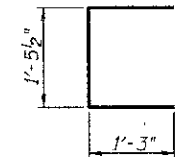
BAR S(E)



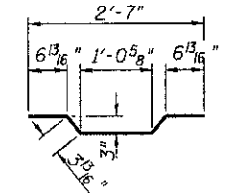
BAR S1(E)



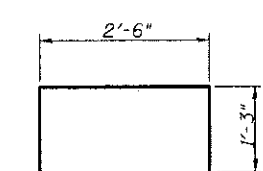
BAR S2(E)



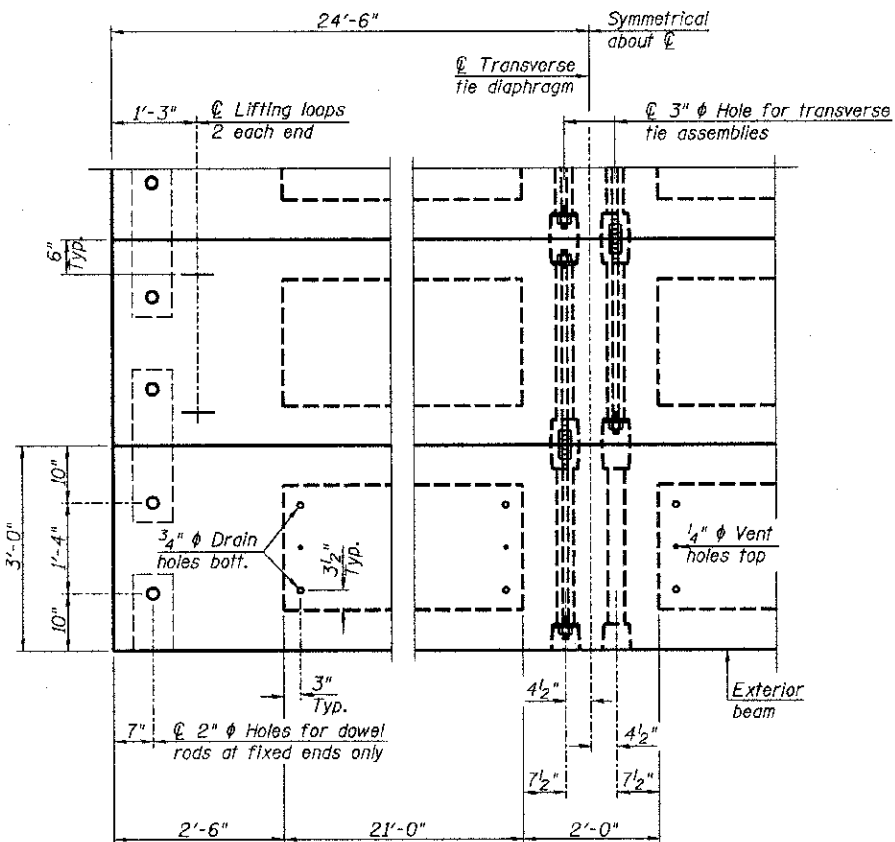
BAR U(E)



BAR A1(E)

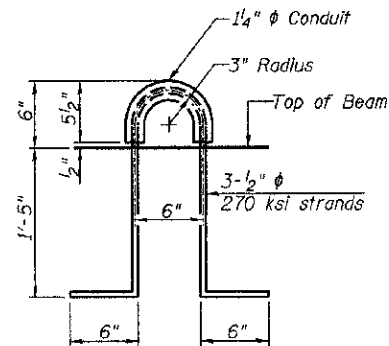


BAR U1(E)

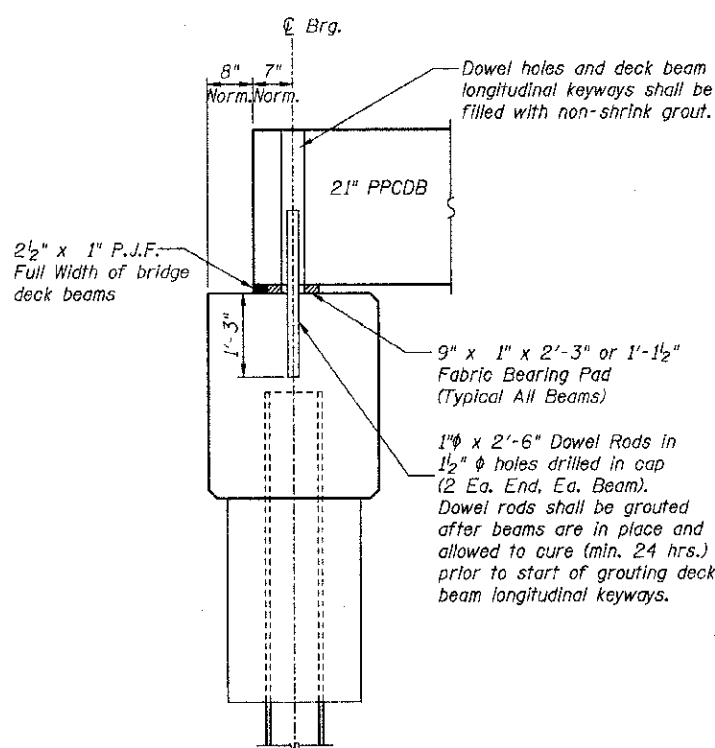


PLAN VIEW

Note: Connect beams in pairs with the transverse tie configuration shown.



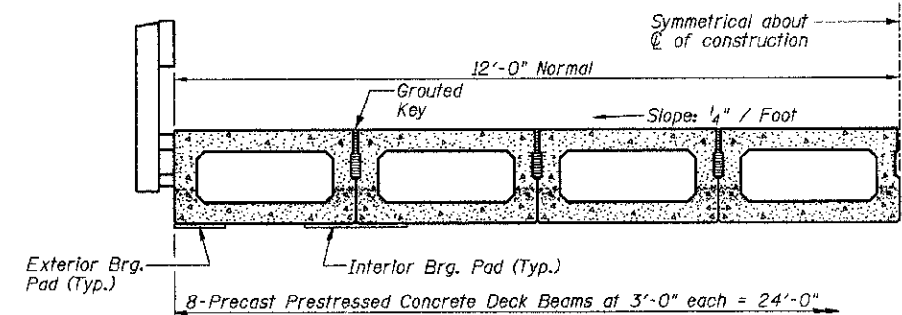
LIFTING LOOP DETAIL



FIXED BEARING ABUTMENT

NOTES

- 1. Prestressing steel shall be uncoated high strength, low relaxation 7-wire strand, Grade 270. The nominal diameter shall be 1/2" and the nominal cross-sectional area shall be 0.153 sq. in. The 1" diameter rods in the transverse tie assembly shall be tightened to a snug fit and the threads set. Pockets on exterior faces of bridge shall be filled with grout after transverse tie assembly is in place.
- 2. Reinforcement bars shall conform to ASTM A 706, Grade 60.
- 3. Two 1/8" fabric adjusting shims of the dimensions of the exterior bearing pad shall be provided for each bearing pad location.
- 4. A minimum 2 1/2" diameter lifting pin shall be used to engage the lifting loops during handling.
- 5. Corrosion Inhibitor, per Article 1020.05(b)(12) and 1021.06 of the Standard Specifications, shall be used in the concrete for precast prestressed concrete deck beams.
- 6. Compressive strength of prestressed concrete, f'c, shall be 6000 psi.
- 7. Compressive strength of prestressed concrete at release, f'ci, shall be 5000 psi.



HALF CROSS SECTION

See Sheet 7 for the details showing the spacing and mounting of posts and rails to the PPCDB.

BILL OF MATERIAL

Precast Prestressed Conc. Deck Bms. (21" depth)	Sq. Ft.	1176
---	---------	------

DESIGNED - BLT	REVISED -
DRAWN - JN	REVISED -
CHECKED - GLH	REVISED -
DATE - 05/18/2012	REVISED -

ROUTE	SECTION	COUNTY	TOTAL SHEETS	SHEET NO.
TR 352	10-20128-00-BR	FAYETTE	10	6
RAAI JOB NO. 8101			ILLINOIS FED. AID PROJECT	
			CONTRACT NO. 95692	