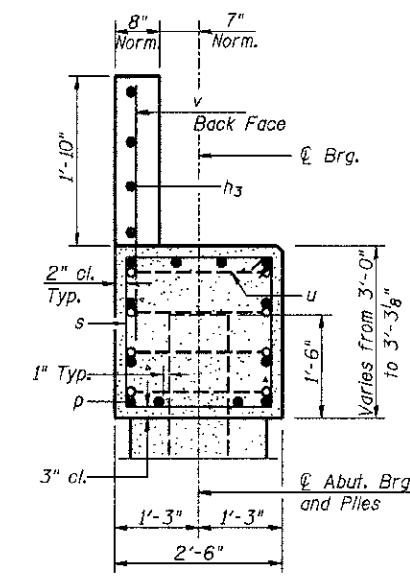
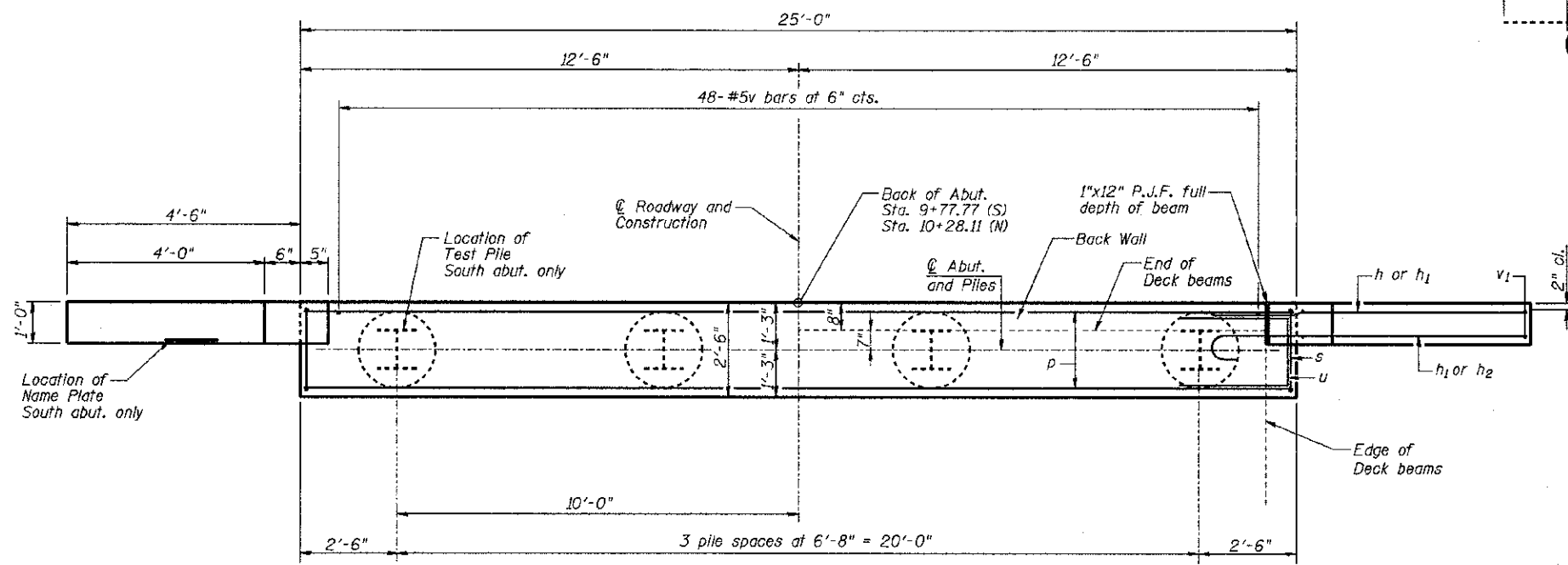


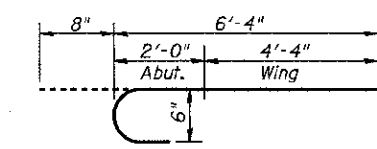
ELEVATION



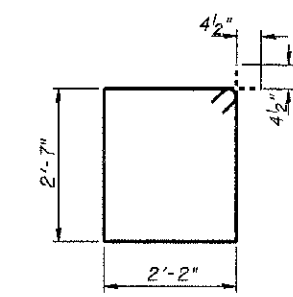
SEC. THRU ABUT.
(Normal to C)



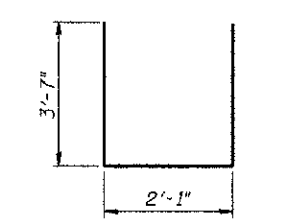
PLAN



BAR h2



BAR s



BAR u

BILL OF MATERIAL FOR ONE ABUTMENT

| Bar | No. | Size | Length | Shape |
|--------------------------|-----|------|----------|--------------------------|
| h | 12 | #6 | 8'-0" | — |
| h1 | 16 | #6 | 4'-9" | — |
| h2 | 12 | #6 | 7'-0" | — |
| h3 | 4 | #5 | 23'-8" | — |
| p | 12 | #7 | 24'-8" | — |
| s | 27 | #4 | 10'-3" | □ |
| u | 8 | #6 | 9'-3" | — |
| v | 48 | #5 | 3'-9" | — |
| v1 | 20 | #5 | 4'-6" | CUT IN FIELD |
| Concrete Structures | | | Cu. Yd. | 9.8 |
| Concrete Encasement | | | Cu. Yd. | 1.4 |
| Reinforcement Bars | | | Pound | 1690 |
| Furnishing Steel | | | S. Abut. | 135 |
| Piles, HP12x53 | | | N. Abut. | 180 |
| Driving Piles | | | S. Abut. | 135 |
| | | | N. Abut. | 180 |
| Test Pile, Steel HP12x53 | | | Each | S. Abut. 1 N. Abut. 0 |
| Pile Shoes | | | Each | S. Abut. 4 N. Abut. 4 |

For details of piles and Concrete Encasement, see Sheet 9 of 10.

GENERAL NOTES

All exposed edges shall have standard $\frac{3}{4}$ " chamfer, unless otherwise noted.
 Reinforcement bars shall conform to ASTM A 706 (IL Modified), Grade 60.
 All clearances between rebar and form surface shall be 2", unless otherwise noted.
 Space reinforcement in cap to miss PPCDB dowel rods.
 The Steel H-piles shall be according to AASHTO M270 Grade 50.

The Contractor is hereby advised that very stiff soils may be encountered prior to the location of anticipated nominal required bearing. See the soil borings for further information.
 The Contractor shall drive one (1) Steel HP12x53 Test Pile in a production location at the South abutment as directed by the Engineer before ordering the remainder of the piles.
 The Test Pile shall be driven to 110 percent of the Nominal Required Bearing indicated in the pile data information.

PILE DATA SOUTH ABUTMENT

Type: Steel HP12x53
 Nominal Required Bearing: 239 kips
 Factored Resistance Available: 131 kips
 Estimated Length: 45'/pile
 No. Production Piles w/ Pile Shoes: 3
 No. Test Piles w/ Pile Shoes: 1

PILE DATA NORTH ABUTMENT

Type: Steel HP12x53
 Nominal Required Bearing: 241 kips
 Factored Resistance Available: 132 kips
 Estimated Length: 45'/pile
 No. Production Piles w/ Pile Shoes: 4
 No. Test Piles w/ Pile Shoes: 0

| | |
|-------------------|-----------|
| DESIGNED - BLT | REVISED - |
| DRAWN - JN | REVISED - |
| CHECKED - GLH | REVISED - |
| DATE - 05/18/2012 | REVISED - |

| ROUTE | SECTION | COUNTY | TOTAL SHEETS | SHEET NO. |
|--------------------|----------------|---------------------------|--------------|-----------|
| TR 352 | 10-2012B-00-BR | FAYETTE | 10 | 8 |
| CONTRACT NO. 95692 | | | | |
| RAAT JOB NO. 5101 | | ILLINOIS FED. AID PROJECT | | |