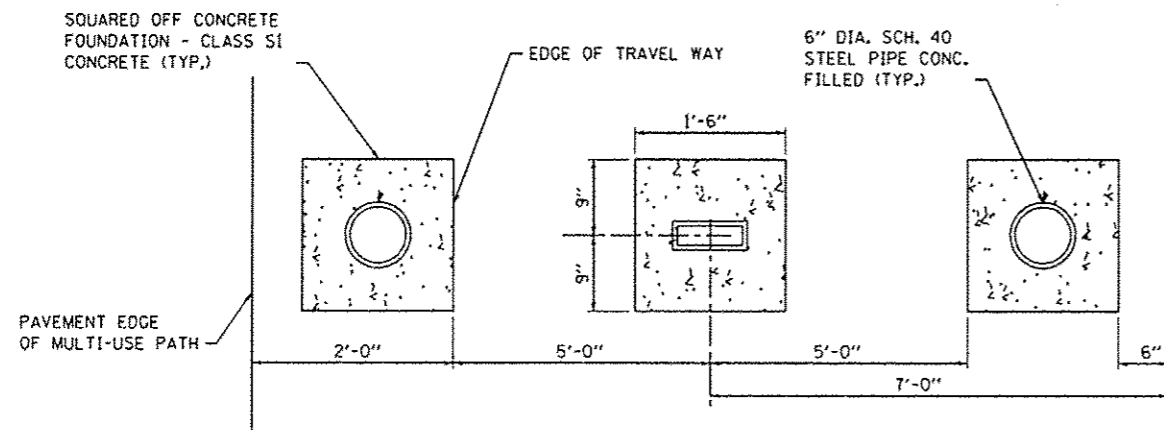
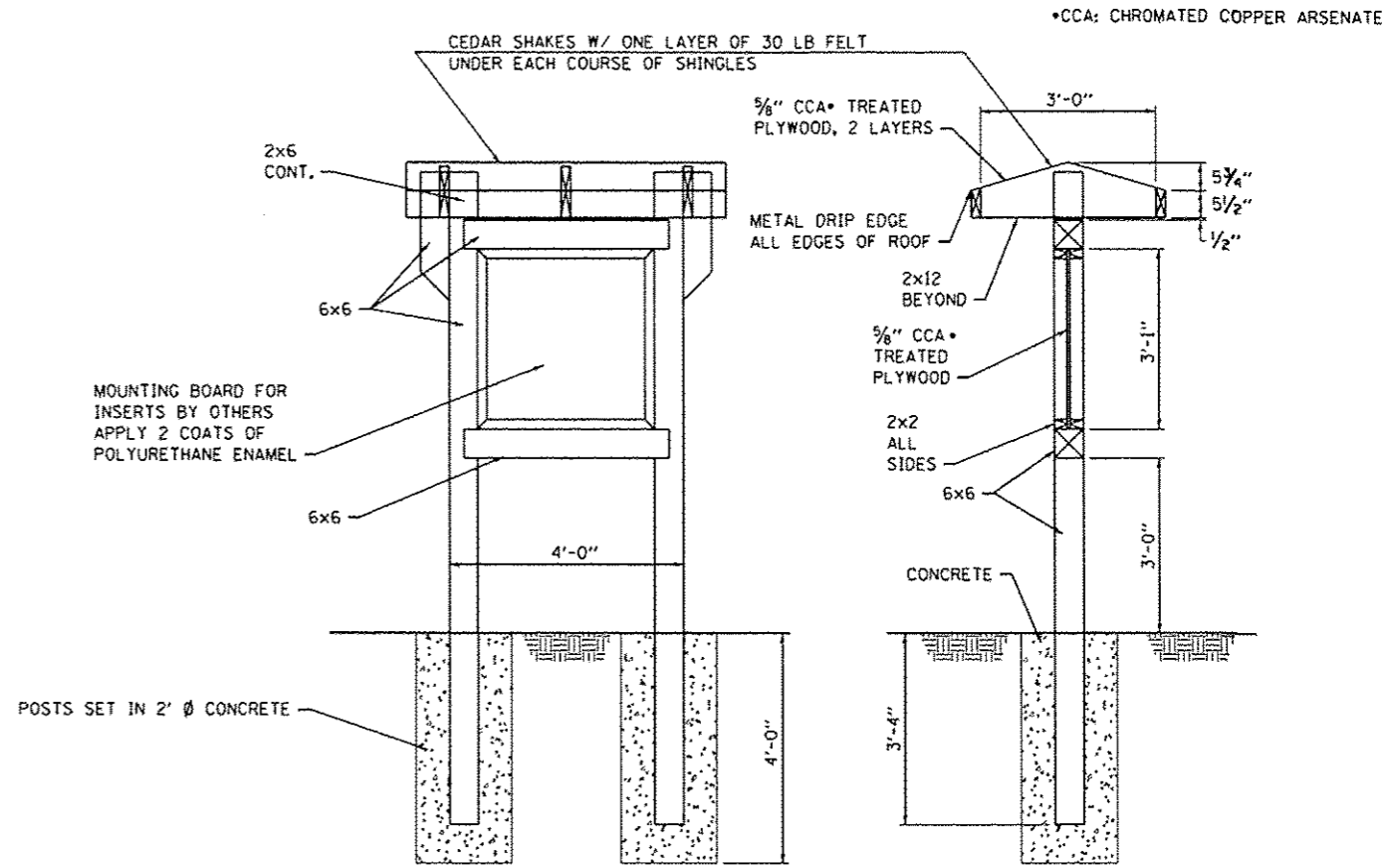


BOLLARD DETAIL
(NOT TO SCALE)



BOLLARD PLAN VIEW DETAIL
(NOT TO SCALE)

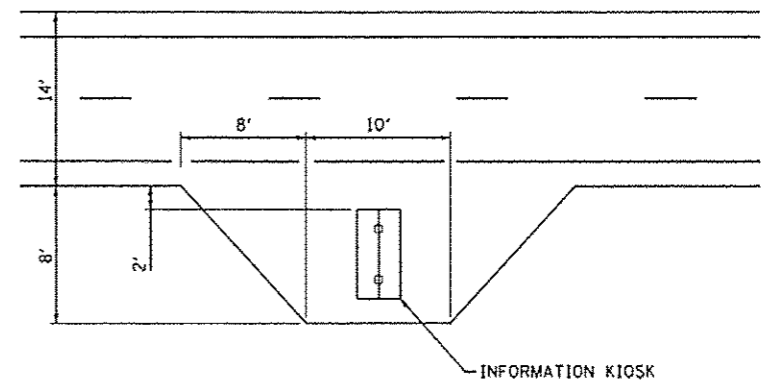


FRONT VIEW

SECTION

NOTE: ALL FASTENERS TO BE STAINLESS STEEL.

INFORMATION KIOSK
(NOT TO SCALE)



KIOSK TURNOUT
(NOT TO SCALE)

FILE NAME * 0829873-shit-details.dgn	USER NAME * randy	DESIGNED -	REVISED -	STATE OF ILLINOIS DEPARTMENT OF TRANSPORTATION	CONSTRUCTION DETAILS		F.A. RTE.	SECTION	COUNTY	TOTAL SHEETS	SHEET NO.
	PLOT TIME * 1:44:38 PM	DRAWN -	REVISED -				MORRIS TRAIL	10-00006-01-BT	MADISON	33	21
	PLOT SCALE * 40.0000' / IN.	CHECKED -	REVISED -		SCALE: NTS	SHEET NO. 1 OF 3 SHEETS	STA.	TO STA.	ILLINOIS FED. AID PROJECT		
	PLOT DATE * 5/28/2012	DATE -	REVISED -								