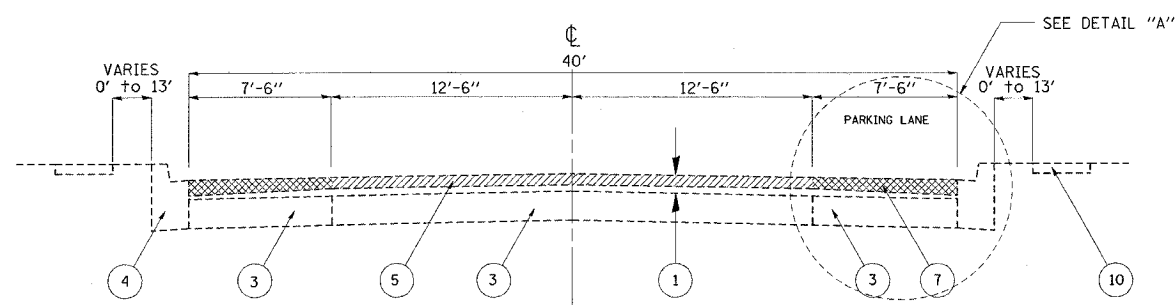
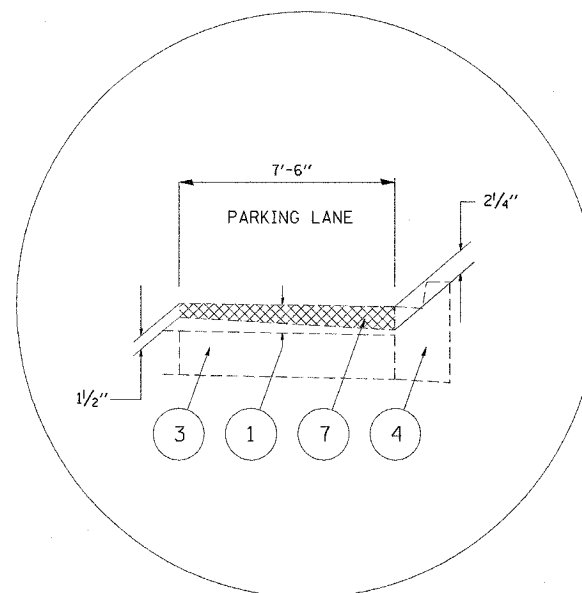


F.A.U. RTE.	SECTION	COUNTY	TOTAL SHEETS	SHEET NO.
1382	0304 RS-3	COOK	21	4

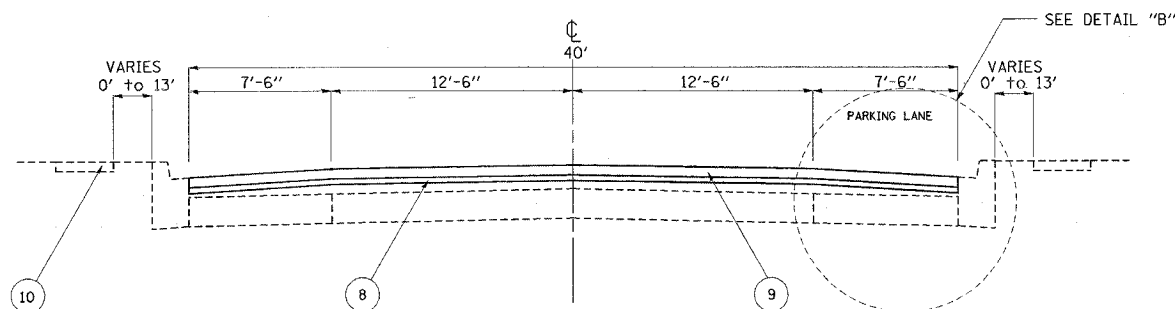
D91-345-98



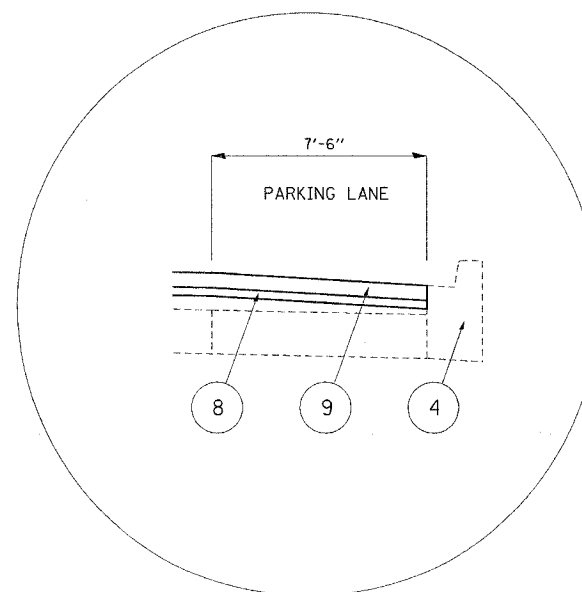
EXISTING TYPICAL SECTION
STA. 6+65 TO STA. 25+87



DETAIL "A"



PROPOSED TYPICAL SECTION
STA. 6+65 TO STA. 25+87



DETAIL "B"

LEGEND

- ① EXISTING BITUMINOUS OVERLAY 2 1/2 " +/-
- ② EXISTING BITUMINOUS OVERLAY 6" +/-
- ③ EXISTING P.C.C. BASE COURSE, 9"
- ④ EXISTING COMBINATION CONCRETE CURB & GUTTER
- ⑤ PROPOSED BITUMINOUS SURFACE REMOVAL, 1 1/2"
- ⑥ PROPOSED BITUMINOUS SURFACE REMOVAL, 2 1/4"
- ⑦ PROPOSED BITUMINOUS SURFACE REMOVAL (VARIABLE DEPTH) - FROM 1 1/2 " TO 2 1/4 "
- ⑧ PROPOSED POLYMERIZED LEVELING BINDER (MACHINE METHOD), SUPERPAVE, IL-4.75, N50 (3/4")
- ⑨ PROPOSED BITUMINOUS CONCRETE SURFACE COURSE, SUPERPAVE, MIX "D", N50 (1 1/2")
- ⑩ EXISTING P.C.C. SIDEWALK

REVISIONS	
NAME	DATE

ILLINOIS DEPARTMENT OF TRANSPORTATION

FULLERTON AVE.
TYPICAL SECTIONS

SCALE: VERT. NONE
HORIZ. DATE 10-12-05

DRAWN BY : CDT
CHECKED BY