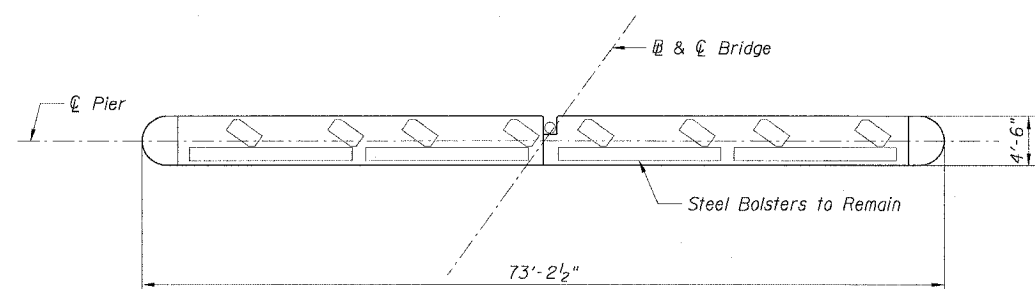
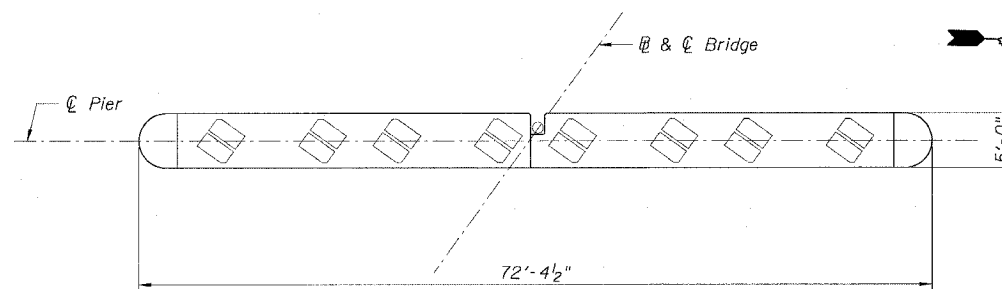


STATE OF ILLINOIS
DEPARTMENT OF TRANSPORTATION

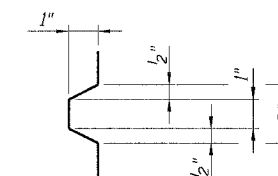
F.A.I. RTE.	SECTION	COUNTY	TOTAL SHEETS	SHEET NO.
90/94		COOK	312	228
STA.	TO STA.			
FED. ROAD DIST. NO. 1	ILLINOIS FED. AID PROJECT			
60A62	• (1919.15, 2021-922 PT1 & PT2) R-1			



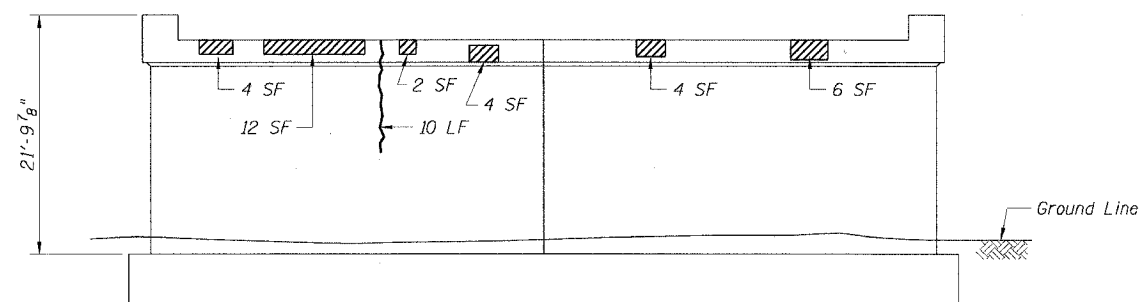
PLAN
PIER 1
(S.N. 016-0142)



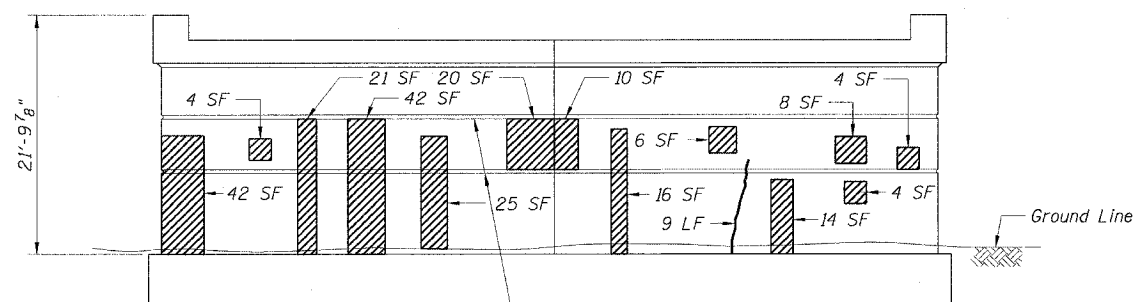
PLAN
PIER 2
(S.N. 016-0142)



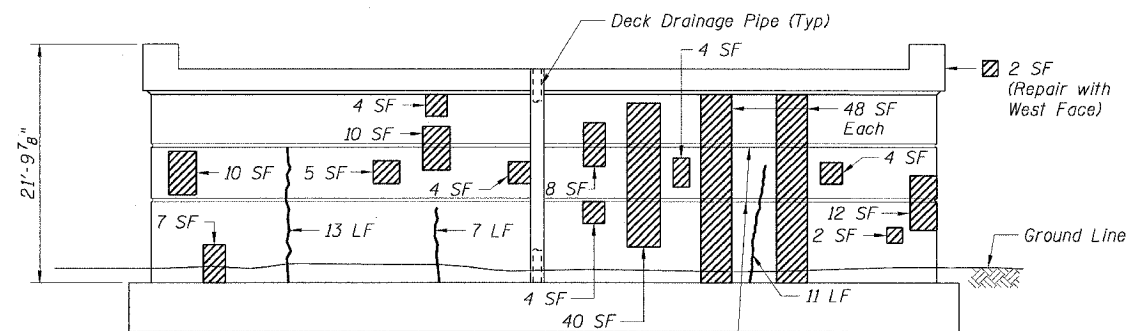
DETAIL OF
RUSTICATION



ELEVATION
PIER 1 - EAST FACE
(S.N. 016-0142)



ELEVATION
PIER 2 - EAST FACE
(S.N. 016-0142)



ELEVATION
PIER 1 - WEST FACE
(S.N. 016-0142)

LEGEND

- Area of Structural Repair of Concrete (Depth Equal to or Less Than 5")
- Epoxy Crack Sealing

BILL OF MATERIAL				
Item	Unit	Quantity		
		Pier 1		Pier 2
		East Face	West Face	East Face
Structural Repair of Concrete (Depth Equal to or Less Than 5")	Sq Ft	32	210	216
Epoxy Crack Sealing	LF	10	31	9
Protective Coat	Sq Yd	4	23	24

REVISIONS	
NAME	DATE

ILLINOIS DEPARTMENT OF TRANSPORTATION
F.A.I. 90/94 (DAN RYAN EXPRESSWAY)
63RD STREET TO GARFIELD BLVD (NB LOCAL LANES)
PIERS 1 & 2 - PLAN AND ELEVATION
SUBSTRUCTURE AND ABUTMENT REPAIRS
CONRAIL BRIDGE (SN 016-0142)
COOK COUNTY

SCALE: None
DATE: June 9, 2006

DRAWN BY: CHD
CHECKED BY: MJP

CTE | AECOM