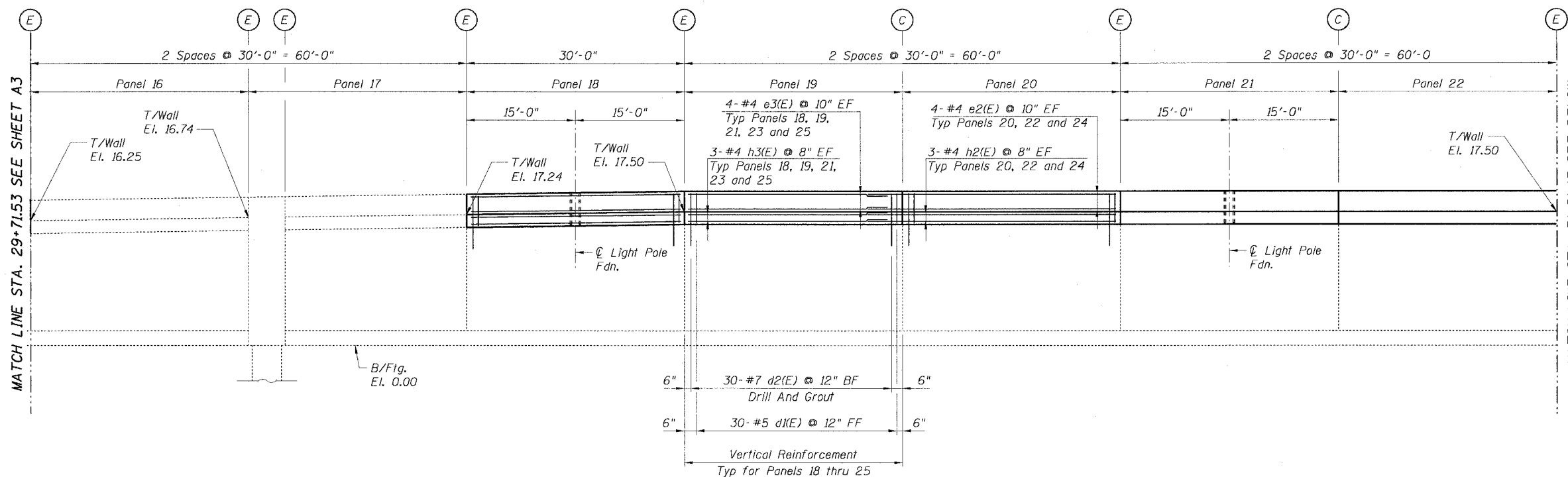
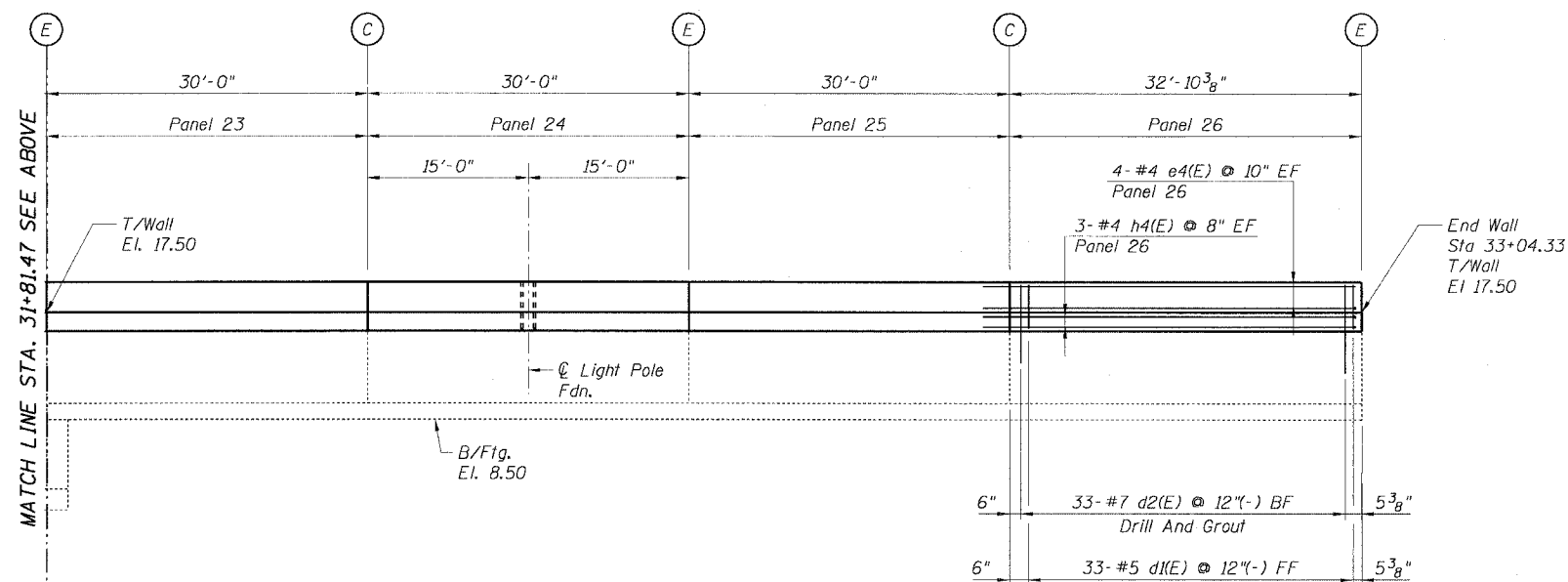


STATE OF ILLINOIS
DEPARTMENT OF TRANSPORTATION

F.A.I. RTE.	SECTION	COUNTY	TOTAL SHEETS	SHEET NO.
90/94		COOK	312	233
STA.	TO STA.			
FED. ROAD DIST. NO. 1	ILLINOIS FED. AID PROJECT			
60A62	1919.15, 2021-922 PT1 & PT2 R-1			



BACK FACE ELEVATION



BACK FACE ELEVATION

NOTE:

For Notes and Legend see Sheet A3.

LEGEND

- (C) - Construction Joint
- (E) - Expansion Joint

REVISIONS	
NAME	DATE

Sheet A4 of 8
ILLINOIS DEPARTMENT OF TRANSPORTATION
F.A.I. 90/94 (DAN RYAN EXPRESSWAY)
63RD STREET TO GARFIELD BLVD (NB LOCAL LANES)
DETAILED ELEVATION II
SOUTH STATE STREET RETAINING WALL
SECTION (1818, ETC, 2324.6-1P) R-10
STATION 25+26.41 TO 33+04.33
COOK COUNTY S.N. 016-W923
SCALE: None DRAWN BY: CHD
DATE: June 9, 2006 CHECKED BY: MJP

CTE | AECOM

P:\P\40468\STRUCTURE-CHD\188\19\CHD\18A\SPV\18A02\A06-W923.DWG 11:09:45 AM 6/22/2006