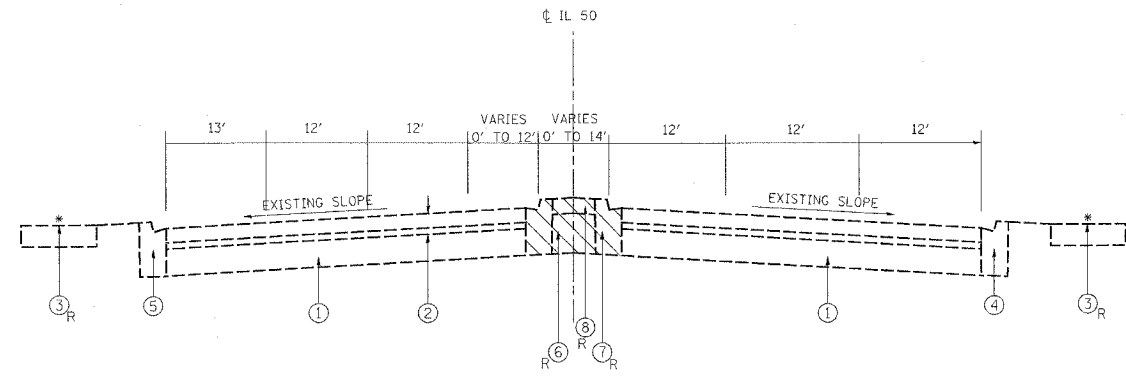
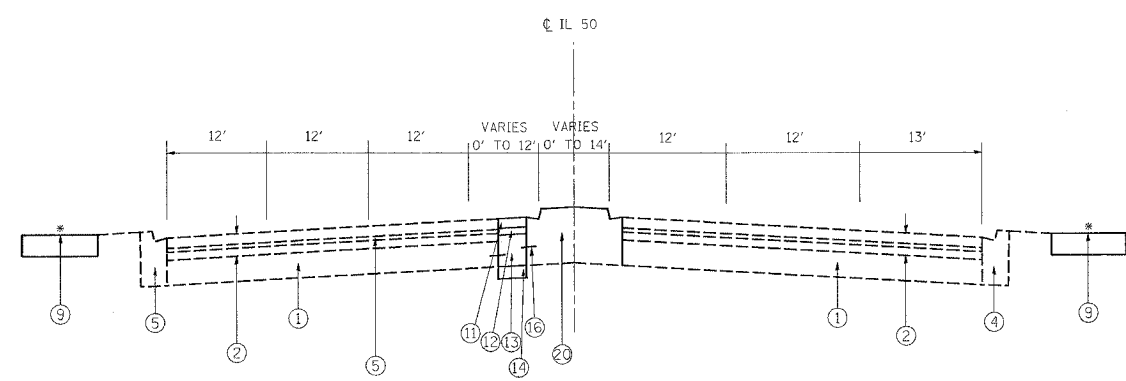


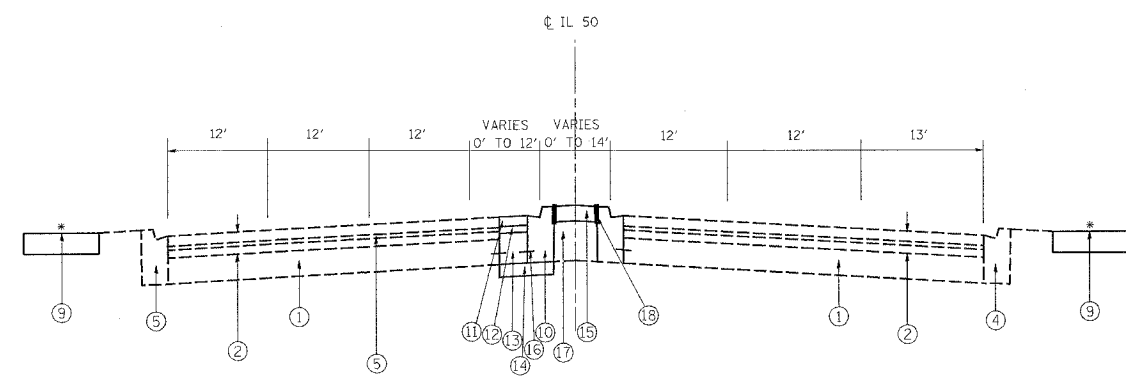
F.A.P. RTE.	SECTION	COUNTY	TOTAL SHEETS	SHEET NO.
350	101 TS-2	COOK	26	6
STA. 50+58		TO STA. 54+26		
FED. ROAD DIST. NO. 1 ILLINOIS FED. AID PROJECT				



EXISTING TYPICAL SECTION
IL 50
STATION
50+58 TO 54+26



PROPOSED TYPICAL SECTION
IL 50
STATION
50+58 TO 52+61



PROPOSED TYPICAL SECTION
IL 50
STATION
52+61 TO 54+26

LEGEND

- ① EXISTING PCC BASE COURSE, 15"(\pm)
 - ② EXISTING BIT. CONC. SURFACE COURSE, 3"(\pm)
 - ③ EXISTING PCC SIDEWALK, 7"
 - ④ EXISTING COMBINATION CONC. CURB & GUTTER, TYPE B-6.12
 - ⑤ EXISTING COMBINATION CONC. CURB & GUTTER, TYPE B-6.24
 - ⑥ EXISTING CRUSHED STONE
 - ⑦ EXISTING PC CONCRETE CURB
 - ⑧ EXISTING CONCRETE MEDIAN SURFACE
 - ⑨ PROPOSED PCC SIDEWALK, 7"
 - ⑩ PROPOSED CONCRETE CURB AND GUTTER, TYPE B-6.12 (SPECIAL)
 - ⑪ PROPOSED 1 1/2" BIT. CONC. SURF. CRSE, SUPERPAVE, MIX "D", N70
 - ⑫ PROPOSED 1" LEVELING BINDER (HM) SUPERPAVE, N70
 - ⑬ PROPOSED 15 1/2" PCC BASE COURSE
 - ⑭ SUB-BASE GRANULAR MATERIAL, TYPE B 4"
 - ⑮ PROPOSED CONCRETE MEDIAN SURFACE, 4"
 - ⑯ PROP. DRILL AND GROUT #4 TIE BAR, SHAPE (24" C-C), COST INCLUDED IN CONCRETE CURB AND GUTTER, TYPE B-6.12 PAY ITEM
 - ⑰ PROP. COARSE AGGREGATE - FILL TO SUBGRADE (TYP.) COST INCLUDED IN CONC. MEDIAN SURFACE 4" PAY ITEM
 - ⑱ PROP. 5/8" PREFORMED EXPANSION JOINT FILLER - COST INCLUDED IN CONCRETE CURB AND GUTTER, TYPE B-6.12 PAY ITEM
 - ⑲ PAVEMENT REMOVAL (VARIES FROM 0' TO 2')
 - ⑳ CONCRETE MEDIAN TYPE SB-6.12 (SPECIAL)
- R - DESIGNATED FOR REMOVAL

NOTES:

* SEE ROADWAY PLAN SHEETS FOR SIDEWALK REMOVAL AND REPLACEMENT LOCATIONS

ITEMS 11-13 HAVE A VARIABLE WIDTH FROM 0' TO 4'
ANY SUB-BASE GRANULAR MATERIAL UNDER THE CURB AND GUTTER SHALL NOT BE PAID FOR SEPARATELY BUT WILL BE CONSIDERED AS INCLUDED IN THE COST PER SQUARE YARD OF "SUB-BASE GRANULAR MATERIAL, TYPE B 4"

REVISIONS		ILLINOIS DEPARTMENT OF TRANSPORTATION
NAME	DATE	
		TYPICAL SECTIONS

SCALE: VERT. _____
DATE _____

DRAWN BY _____
CHECKED BY _____

PLOT DATE = 9/18/2008
 FILE NAME = c:\pcc\projects\101TS-2\DESIGN\pcc\ts2.dwg
 PLOT SCALE = 1/8" = 1'-0"
 USER NAME = smt\jcl