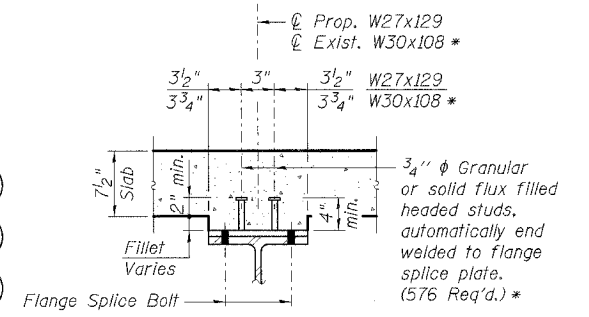
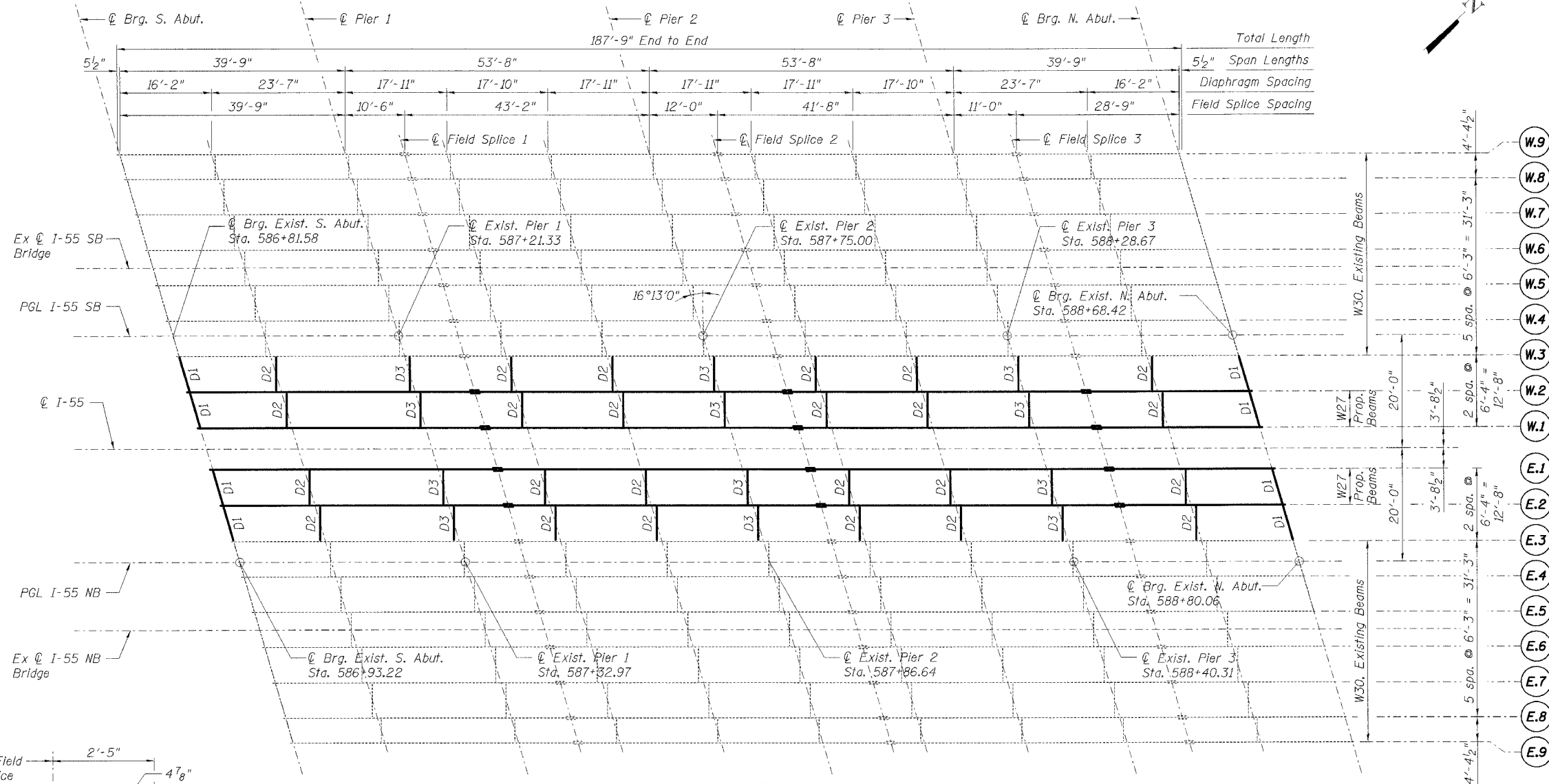
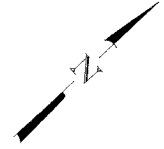
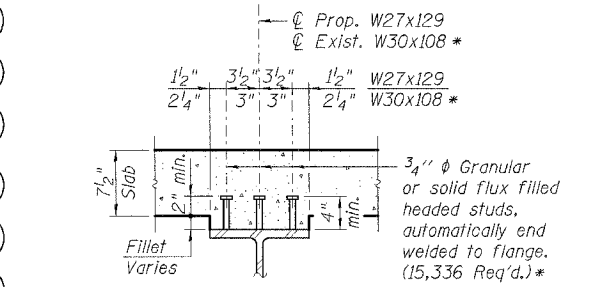


F.A.I. RTE.	SECTION	COUNTY	TOTAL SHEETS	SHEET NO.
55	2005-063 I	WILL	50	18
STA.	TO STA.			
FED. ROAD DIST. NO.	ILLINOIS	FED. AID PROJECT		



**SHEAR CONNECTOR DETAIL AT FIELD SPLICE**



**SHEAR CONNECTOR DETAIL**

**BILL OF MATERIAL**

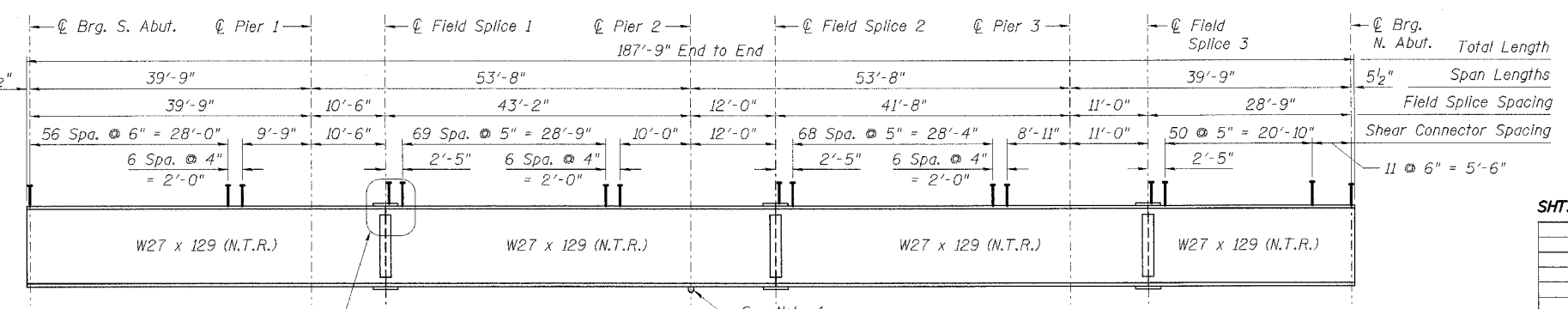
Item	Unit	Total
Shear Stud Connector	Each	15,912 *

\* For Information Only

**Notes:**

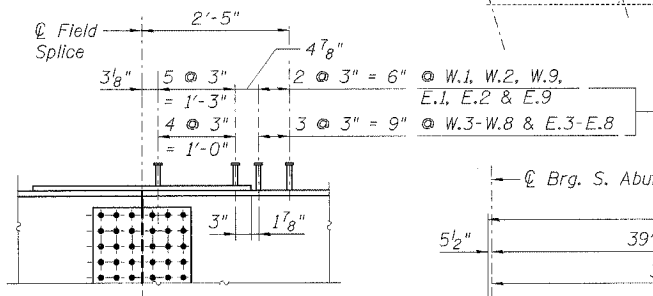
1. N.T.R. denotes steel is subject to Supplemental Requirements for Notch Toughness (Zone 2).
2. For field splice details, see Sht. SC-20.
3. For diaphragm details, see Sht. SC-21.
4. Rocker plate of fixed bearing to be shop welded at Pier 2 location on beams. See Sht. SC-22 for this detail.
5. Shear Connector Spacing at Existing Beams W.3 to W.9 and E.3 to E.9 shown For Information Only.

**FRAMING PLAN**



**BEAM ELEVATION**

See Detail A for Shear Connector Spacing at Field Splice, Typ. See Note 4



**DETAIL A**

(Flange Splice Bolts not shown for Clarity)

**SHT. SC-19 OF 38**

REVISIONS	
NAME	DATE

ILLINOIS DEPARTMENT OF TRANSPORTATION  
 FAI ROUTE 55 (I-80 TO WEBER ROAD)  
 BEAM AND BEARING FABRICATION  
 SB & NB I-55 OVER US RTE. 30, S.N. 099-0016 & 099-0017  
 STA. 587+80.82, SECTION 2005-063 I  
 WILL COUNTY

**FRAMING PLAN & BEAM ELEVATION**

SCALE: DRAWN BY PA  
 DATE 05/19/06 CHECKED BY MJK



**MORCOM, N.V., INC.**  
 CONSULTING ENGINEERS  
 CHICAGO, ILLINOIS

PLOT DATE = 05/19/06  
 FILE NAME = S:\PROJECTS\2005\148718\DRAWING\SC-19.DWG  
 PLOT SCALE = 1/8" = 1'-0"  
 USER NAME = JUSER06