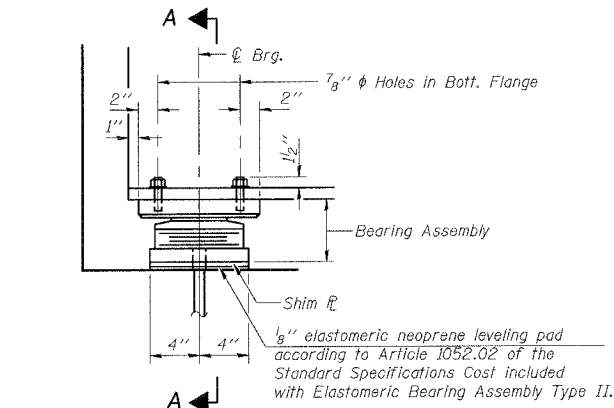


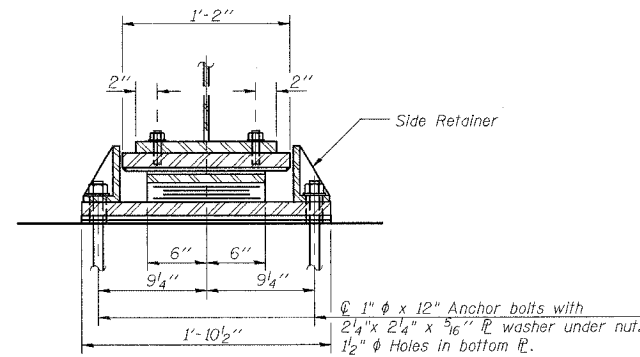
STATE OF ILLINOIS  
DEPARTMENT OF TRANSPORTATION

ROUTE NO.	SECTION	COUNTY	TOTAL SHEETS	SHEET NO.
FAI-55	**	WILL	50	34
FED. ROAD DIST. NO. 7	ALIGNMENT	FED. AID PROJECT		

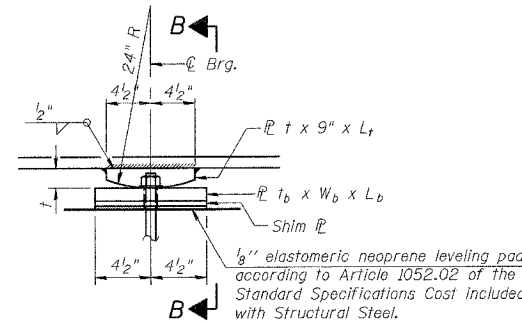
\*\* SECTION 2005-063 I  
CONTRACT NO. 60A67



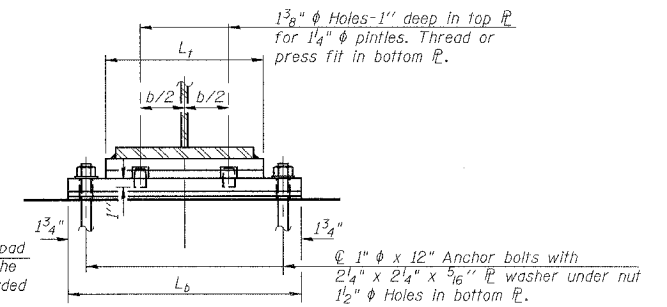
ELEVATION AT N. ABUT. (NB & SB)



SECTION A-A

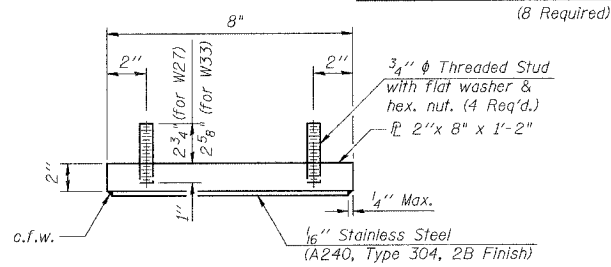


ELEVATION AT PIER 1 (NB & SB)

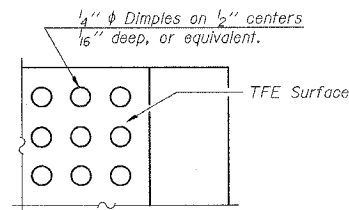


SECTION B-B

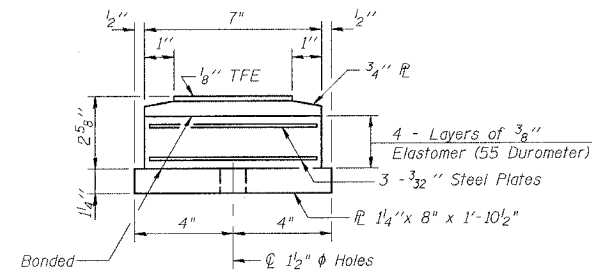
TYPE II ELASTOMERIC EXP. BRG.



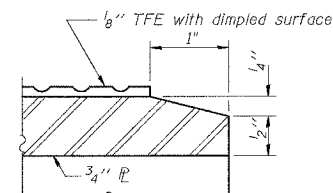
TOP BEARING ASSEMBLY



PLAN-TFE SURFACE



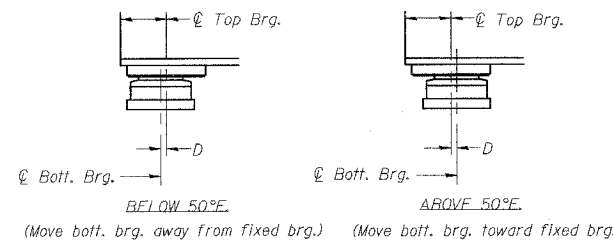
BOTTOM BEARING ASSEMBLY



SECTION THRU TFE

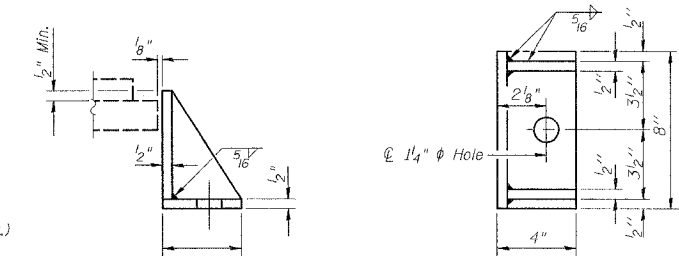
FIXED BEARING

(At Pier 1)  
(8 Required)



SETTING ANCHOR BOLTS AT EXP. BRG.

(D=5/8\"/>

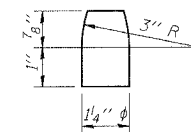


SIDE RETAINER

Equivalent rolled angle with stiffeners will be allowed in lieu of welded plates. Weight included with Structural Steel.

FIXED BEARING DIMENSION SCHEDULE

Location	Beam	b	Top Plate		Bottom Plate		Brg. Ht.	No. Req'd	
			L <sub>t</sub>	t	W <sub>b</sub>	L <sub>b</sub>			T <sub>b</sub>
NB Pier 1	W27	7"	15"	1 5/8"	9"	22 1/2"	1 1/2"	3 1/4"	3
SB Pier 1	W27	7"	15"	1 3/4"	9"	22 1/2"	1 1/2"	3 3/8"	3
SB Pier 1	W33	6"	12 1/2"	1 5/8"	9"	20"	1 5/8"	3 3/8"	2



PINTLE

BILL OF MATERIAL

Item	Unit	Total
Elastomeric Bearing Assembly Type II	Each	8

ELASTOMERIC BEARING ASSEMBLY TYPE II  
I-55 OVER EJ&E R.R.  
FAI ROUTE 55-SEC. 2005-063 I  
WILL COUNTY  
STA. 609+29.37  
STRUCTURE NO. 099-0018 (NB)  
STRUCTURE NO. 099-0019 (SB)



DESIGNED	J.ZUO
CHECKED	J.GRAINAWI
DRAWN	Z.MORILLO
CHECKED	J.GRAINAWI

Date: 5/15/2006

Notes:

- The 1/8" TFE sheet shall be bonded directly to the top steel plate with a two-component, medium viscosity epoxy resin, conforming to the requirements of the Federal Specification MMM-A-134, Type I. The bond agent shall be applied on the full area of the contact surfaces.
- Bonding of 1/8" TFE sheet during vulcanizing process will be permitted provided the process and method of adjusting assembly height is approved by the Engineer.
- See Sheet No. 13 for Anchor Bolt Installation.