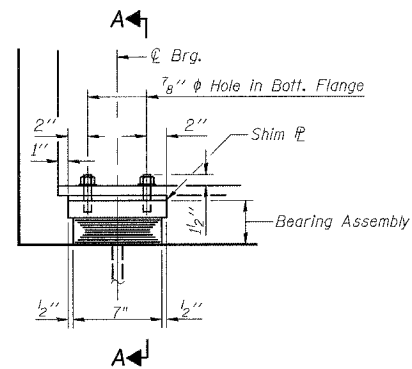
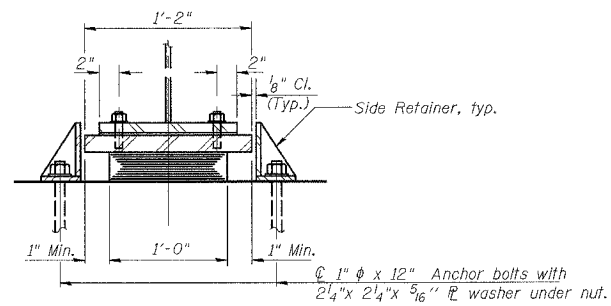


STATE OF ILLINOIS
DEPARTMENT OF TRANSPORTATION

ROUTE NO.	SECTION	COUNTY	SHEET NO.	SHEET	SHEET NO. 9
FAI-55	**	WILL	50	46	13 SHEETS
FED. ROAD DIST. NO. 7		ILLINOIS	FED. AID PROJECT		
** SECTION 2005-063 I CONTRACT NO. 60A67					

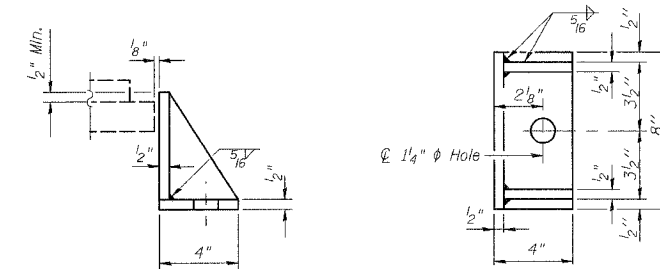


ELEVATION AT N. ABUT. (NB & SB)



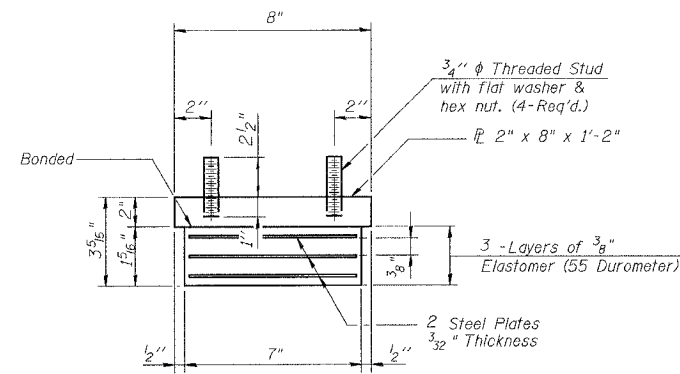
SECTION A-A

TYPE I ELASTOMERIC EXP. BRG.
(2 Req'd NB, 2 Req'd SB)



SIDE RETAINER

(Equivalent rolled angle with stiffeners will be allowed in lieu of welded plates. Weight included with Structural Steel)



BEARING ASSEMBLY

(Shim plates shall not be placed under Bearing Assembly)

BILL OF MATERIAL

Item	Unit	Total
Elastomeric Bearing Assembly Type I	Each	4

Notes:

1. See Sheet No. 11 for Anchor Bolt Installation.

DESIGNED	J.ZUO
CHECKED	J.GRAINAWI
DRAWN	Z.MORILLO
CHECKED	J.GRAINAWI

Date: 5/15/2006



ELASTOMERIC BEARING
ASSEMBLY TYPE I
I-55 OVER MS (ABANDONED) R.R.
FAI ROUTE 55-SEC. 2005-063 I
WILL COUNTY
STA. 710+34.86
STRUCTURE NO. 099-0022 (NB)
STRUCTURE NO. 099-0023 (SB)