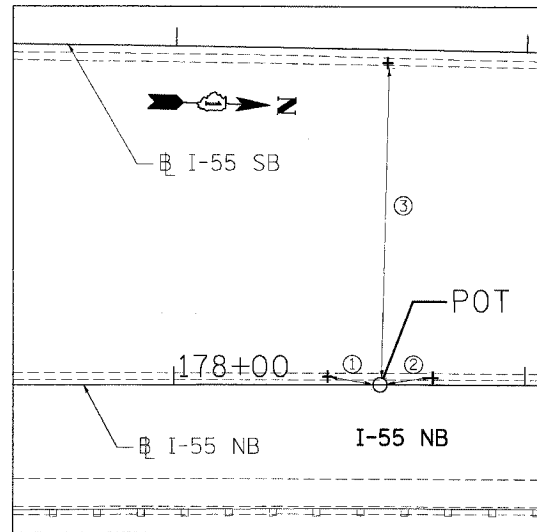
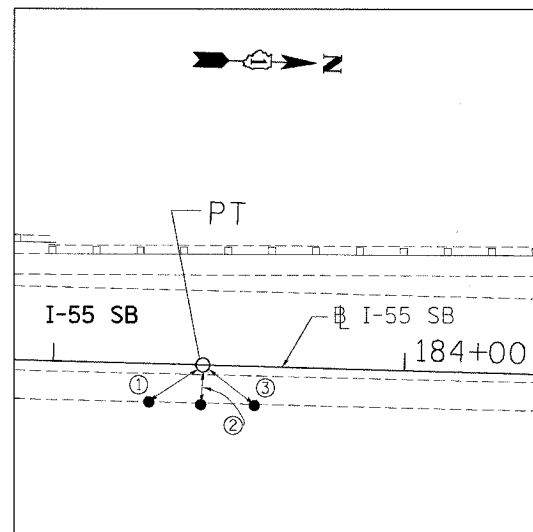


F.A.I. RTE.	SECTION	COUNTY	TOTAL SHEETS	SHEET NO.
55	2005-062 I	WILL	72	8
STA.		TO STA.		
FED. ROAD DIST. NO.		ILLINOIS FED. AID PROJECT		



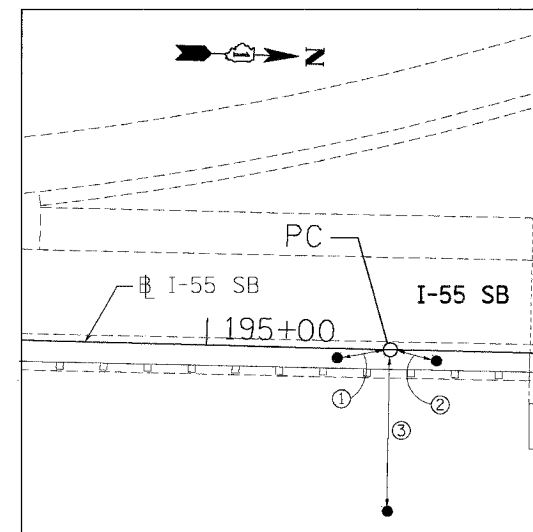
POT STA. 178+58.72

- ① SET +, 15.09'
- ② SET +, 15.21'
- ③ SET +, 91.63'



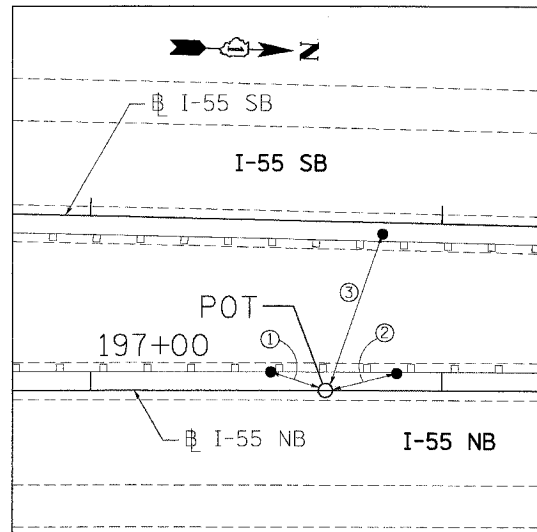
PT STA. 183+42.62

- ① MAG NAIL, 18.62'
- ② MAG NAIL, 11.27'
- ③ MAG NAIL, 18.61'



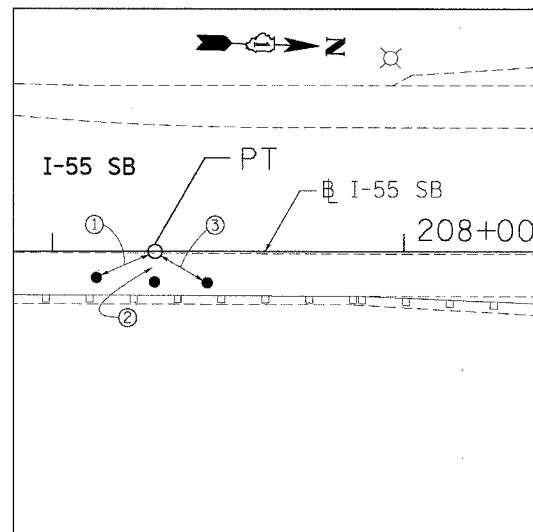
PC STA. 195+52.29

- ① MAG NAIL, 15.39'
- ② MAG NAIL, 13.34'
- ③ MAG NAIL, 46.13'



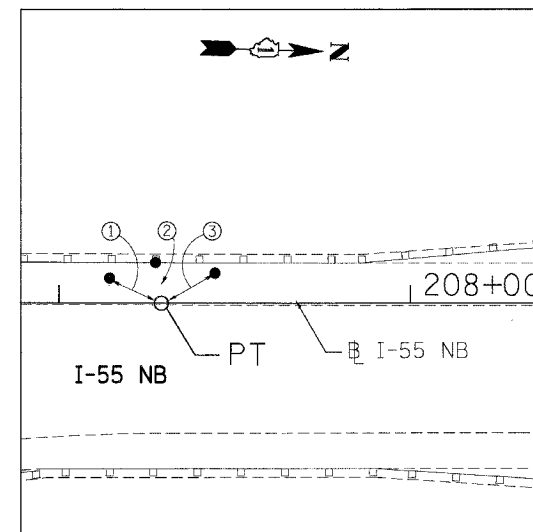
POT STA. 197+66.89

- ① MAG NAIL, 16.49'
- ② MAG NAIL, 20.86'
- ③ MAG NAIL, 47.26'



PT. STA. 207+29.16

- ① MAG NAIL, 18.31'
- ② MAG NAIL, 8.71'
- ③ MAG NAIL, 17.35'



PT. STA. 207+29.16

- ① MAG NAIL, 16.32'
- ② MAG NAIL, 11.52'
- ③ MAG NAIL, 17.45'

PLOT DATE = 05/19/06  
 FILE NAME = 051906.DWG  
 PLOT SCALE = AS SHOWN  
 USER NAME = JUBER

REVISIONS	
NAME	DATE

ILLINOIS DEPARTMENT OF TRANSPORTATION  
 FAI ROUTE 55 (I-80 TO U.S. 30)  
 SIGNING

### ALIGNMENT, TIES AND BENCHMARKS IV

SCALE: N.T.S. DRAWN BY SB  
 DATE 05/19/06 CHECKED BY DDH

**TENG** TENG & ASSOCIATES, INC.  
 ENGINEERS/ARCHITECTS/PLANNERS  
 CHICAGO, ILLINOIS