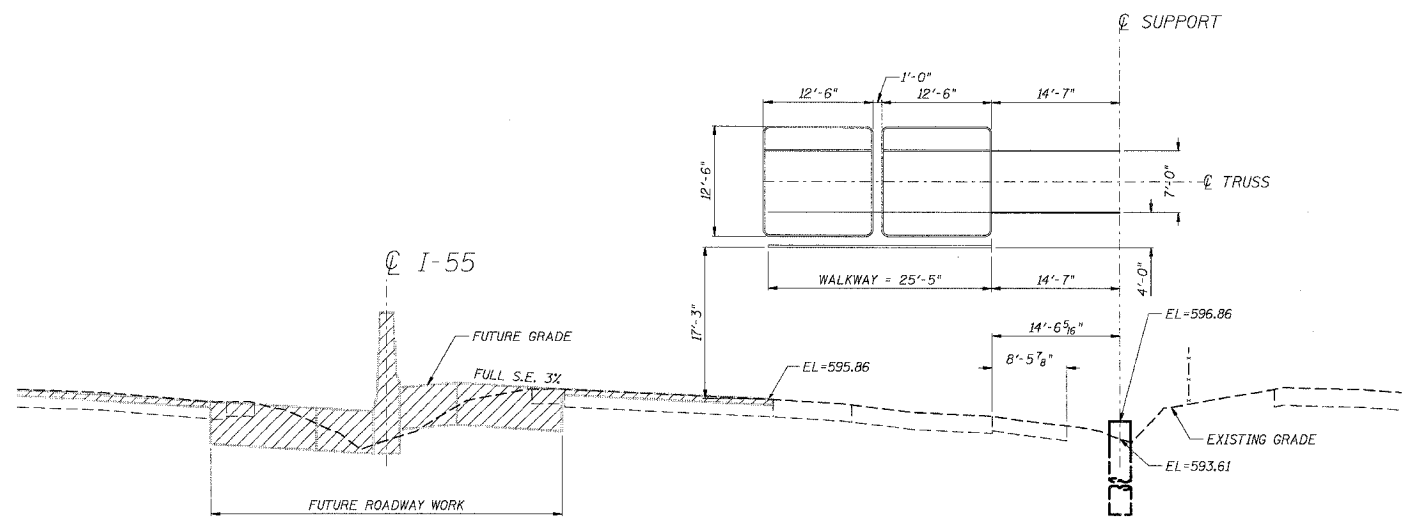
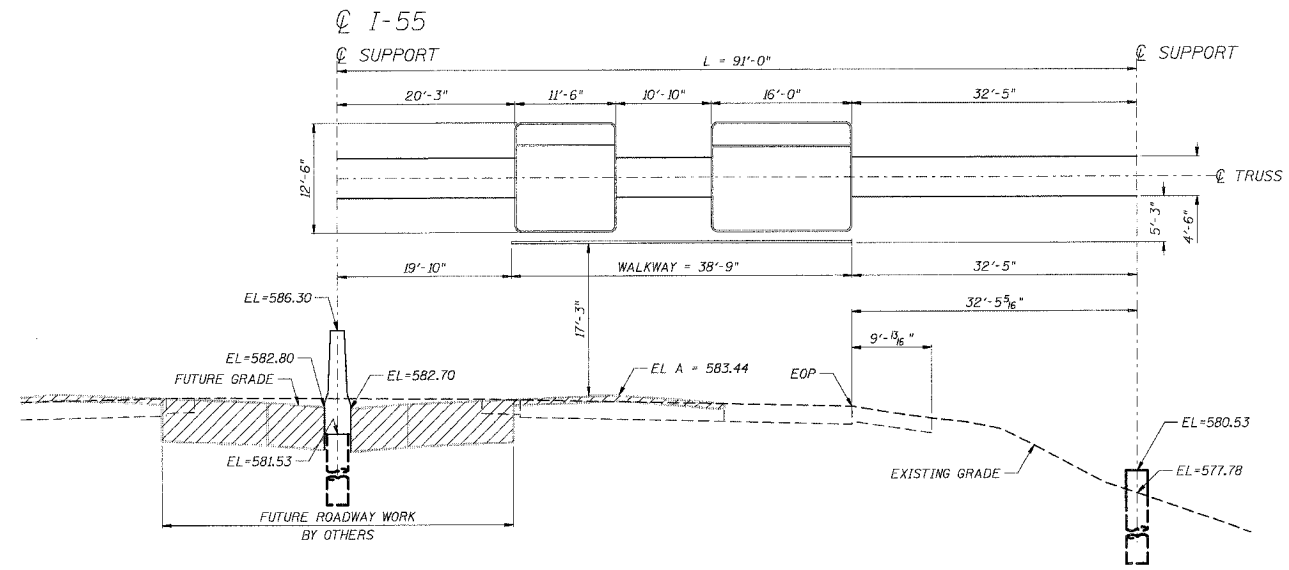


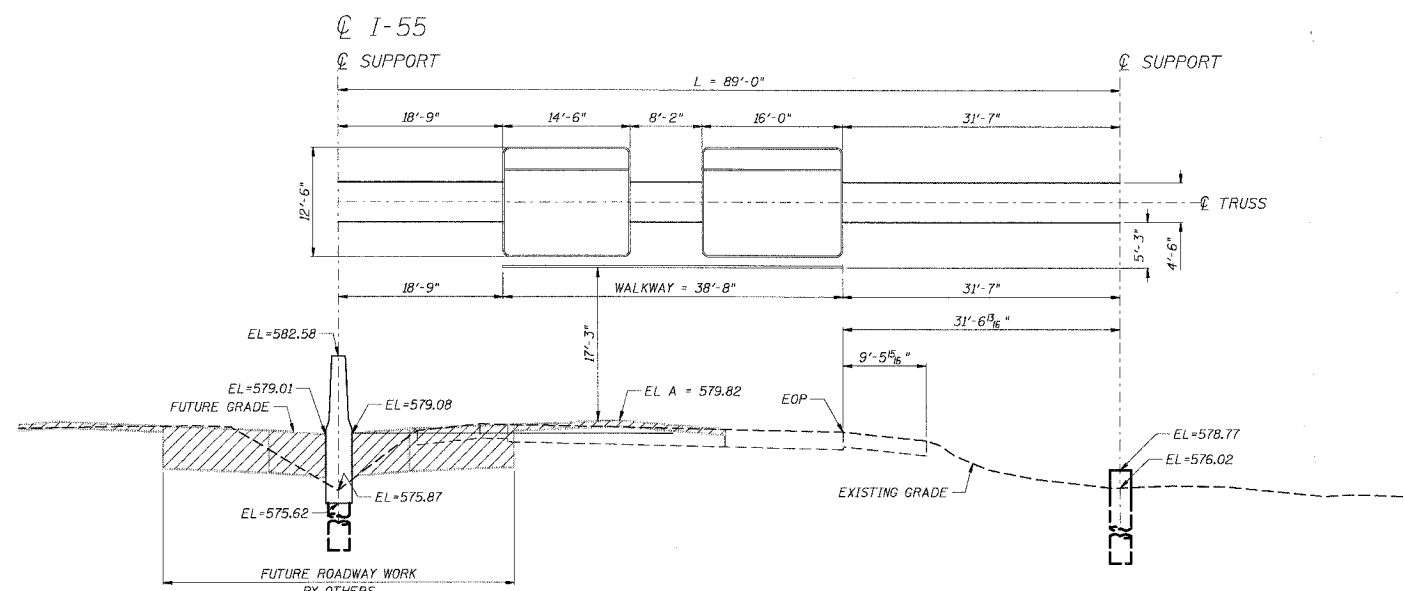
F.A.I. RTE.	SECTION	COUNTY	TOTAL SHEETS	SHEET NO.
55	2005-062 I	WILL	72	26
STA.		TO STA.		
FED. ROAD DIST. NO.	ILLINOIS	FED. AID PROJECT		



100991055R251.56
STA 277+45
I-55 N.B. LOOKING NORTH



100991055R252.64
STA 333+75
I-55 N.B. LOOKING NORTH



100991055L253.03
STA 354+55
I-55 S.B. LOOKING SOUTH

PLOT DATE = 05/19/06
 FILE NAME = I:\PROJECTS\60A70\I-55\100991055L253.03.DWG
 PLOT SCALE = 1/8"=1'-0"
 USER NAME = GARCIAZ

REVISIONS	
NAME	DATE

ILLINOIS DEPARTMENT OF TRANSPORTATION
 FAI ROUTE 55 (I-80 TO U.S. 30)
 SIGNING

**SIGN STRUCTURE
 SIGN PANEL
 GENERAL ELEVATIONS - II**

SCALE: N.T.S. DRAWN BY: MW
 DATE: 05/19/06 CHECKED BY: DDH

TENG TENG & ASSOCIATES, INC.
 ENGINEERS/ARCHITECTS/PLANNERS
 CHICAGO, ILLINOIS